

# DUST MONKEY AC

WWW.DUSTMONKEY.NET

## SPECIFICATIONS

The AC series of centrifugal electro-ventilators with multi-blade impellor have a low pressure in their use from 0.6 to 4 in. H<sub>2</sub>O and high capacities from 412 to 9417 CFM, with maximum air temperatures of 140°F. Applications of the AC series include extraction of humid air and vapors produced in kitchens, draught installation (for boiler, kilns, dryers etc.), Air conditioning installations, extraction of air slightly dusty and fumes, or wherever high volumes of air with low pressures are required to



be extracted. The steel metal fan wheel, multi-blades directly coupled to the electric motor shaft, undergoes a meticulous static and dynamic balance. The performance is thus free from vibrations giving a long duration of the bearings and maximum performance of

the ventilator. The perfect profile of the scroll in galvanized sheet metal, the perfect balance of the impellor, the right angle of the blades, and the special support for the motor give the AC electro-ventilator the lowest possible running noise when compared with other ventilators.

### FEATURES

- \* Applications of the AC series include extraction of humid air and vapors produced in kitchens, draught installation (for boiler, kilns, dryers etc.), Air conditioning installations, extraction of air slightly dusty and fumes, or wherever high volumes of air with low pressures are required to be extracted.
- \* Low pressure in their use from 0.6 to 4 in. H<sub>2</sub>O and high capacities from 412 to 9417 CFM, with maximum air temperatures of 140°F.

### OPTIONS

- \* Single-phase and explosion proof electric motors
- \* Continuous electronic speed adjusting regulator for single-phase (220 V) and three-phase (220 V) motors.

## DIMENSIONS, ETC.

Dust Monkey products are manufactured in metric sizes but described here and on the web site in their closest English equivalent. Representative sizes and dimensions are described here. Custom sizes and materials are available.

Diameters:  
63 mm: 2.5 inches  
75 mm: 3 inches  
100 mm: 4 inches  
125 mm: 5 inches  
160 mm: 6 inches  
200 mm: 8 inches

Lengths:  
1.5m: 5 feet  
2.0m: 6 feet  
3.0m: 10 feet  
4.0m: 13 feet  
5.0m: 16 feet  
6.0m: 20 feet  
7.0m: 23 feet  
8.0m: 26 feet  
9.0m: 30 feet

WWW.DUSTMONKEY.NET

Komodo Enterprises, Inc. DBA  
Dust Monkey  
2620 S. Maryland Pkwy  
Suite 14, Box 863  
Las Vegas, NV 89109

California Office  
8915 Research Dr.  
Irvine CA, 92618

Tel: 949.341.0314  
Fax: 949.341.0315

E-mail: [info@dustmonkey.net](mailto:info@dustmonkey.net)



*Tough, Durable,  
Rugged, Reliable,  
Stout Construction*

Visit all our web sites:  
[WWW.DUSTMONKEY.NET](http://WWW.DUSTMONKEY.NET)  
[WWW.DUCTMONKEY.NET](http://WWW.DUCTMONKEY.NET)  
[WWW.MONKEYARMS.COM](http://WWW.MONKEYARMS.COM)



*Experts in Dust, and  
Fume Control.*

## MODELS AVAILABLE

AC	CAPACITY (CFM)	PRESSURE (IN. H2O)	POWER (HP)
AC 180	0.2	900	230/400
AC 180	0.35	1400	230/400
AC 220	0.25	900	230/400
AC 220	0.5	1400	230/400
AC 250	0.35	900	230/400
AC 250	0.75	1400	230/400
AC 280	0.5	900	230/400
AC 280	1	1400	230/400
AC 300	1	900	230/400
AC 300	2	1400	230/400
AC 350	2	900	230/400
AC 350	4	1400	230/400
AC 380	3	900	230/400
AC 380	7.5	1400	230/400
AC 400	5.5	900	230/400
AC 400	10	1400	230/400

WWW.DUSTMONKEY.NET

## TERMS AND CONDITIONS

### PAYMENTS AND TERMS

Prices quoted are good for 30 days unless otherwise noted. Dust Monkey accepts cash, check, wire transfer, or credit cards. All prices are quote in US Dollars, unless otherwise noted. All sales are final. All freight is FOB, Las Vegas, Nevada unless otherwise noted. All goods remain the property of Dust Monkey until paid in full. Payment is due at time of order unless credit has been granted. All past due accounts accrue a service fee of 3% per month. Dust Monkey is a DBA of Komodo Enterprises, Inc., a Nevada Corporation.

### PRIVACY STATEMENT

Komodo Enterprises Inc. respects your privacy and will not divulge your contact information to any third party organization or entity without your express permission. In addition, our web sites gather no unauthorized information from your computer during your visit with us. All phone calls to Dust Monkey may be monitored or recorded.

### ACCURACY

Dust Monkey assumes no responsibility for errors or omissions in this web site or documents which are referenced by or linked to this site. This site could include technical or other inaccuracies. Changes are periodically added to the information, and Dust Monkey may change the products or services described at any time. Contact Customer Service for further information before relying on any information contained herein. The information provided on this site, including text, images, and links, are provided "AS IS" by Dust Monkey solely as a convenience to its visitors. This information is without any warranties, express or implied, including but not limited to warranties of merchantability, fitness for a particular purpose or non-infringement.

### WARRANTY & INDEMNITY

Dust Monkey warrants products it manufactures for a period of 90 days to the original purchaser from the date of purchase. Items not manufactured by Dust Monkey are limited to their own manufacturer's warranties. This warranty does not apply to defects due directly or indirectly to misuse, negligence, accidents, abuse, repairs, or alterations or lack of maintenance. This is Dust Monkey's sole written warranty and any and all warranties that may be implied by law, including any merchantability or fitness, for any particular purpose, are hereby limited to the duration of this written warranty. Dust Monkey does not warrant or represent that the merchandise complies with the provisions of any law or acts. In no event shall Dust Monkey liability under this warranty exceed the purchase price paid for the product. Both parties agree to binding arbitration in Las Vegas, Nevada. Dust Monkey shall in no event be liable for death, injuries to persons or property or for incidental, and contingent, special, or consequential damages arising from the use of our products. Dust Monkey warrants products only for the specific use expressly agreed to at time of purchase by Dust Monkey in writing. Motors should only be started and stopped up to 4 - 10 times per hour. Starting motors more frequently can cause heat build up and can cause the motor overload to trip or cause motor damage. In general, motors should be started and stopped as little as possible for maximum lifespan and best economy (electrical use). \*Note: Motors should be protected from extreme weather to prolong motor life. All claims, including claims covered under the limited warranty, are subject to inspection and investigation before Buyer's claim is settled. Any parts returned for warranty or repair will not be accepted without an RMA number and must be shipped pre-paid. Contact Customer Service with the original bill of sale to obtain an RMA number.

# DUST MONKEY PA/P

WWW.DUSTMONKEY.NET

## SPECIFICATIONS

The PA/P is the new model series of centrifugal ventilators that can be used for low and medium total pressures from 2 to 15 in. H<sub>2</sub>O and capacities from 647 to 9564 CFM, with maximum temperatures of 140°F. The PA/P series was designed for dust, sawdust, wooden, chips suction, and metallic dust extraction, which makes it very useful in the woodworking and metal working industries. Due to the open blade impeller, accurately balanced in a dynamic and static way, directly coupled to the electric motor, the PA/P ventilators give no vibrations during

performance, ensure a long duration of the bearing and best performance. The seemed scroll in galvanized sheet metal is particularly sturdy and perpetually soundproof. The suction inlet and the outlet are provided with flanges to connect the pipeline the counter-flanges are available upon request. The centrifugal ventilators PA/P series can be oriented in every standard direction. They are normally supplied with the outlet horizontally turned to the left (when looking at the machine from the motor side). When the order is placed, please specify the desired direction.



### FEATURES

- \* The PA/P series was designed for dust, sawdust, wooden, chips suction, and metallic dust extraction, which makes it very useful in the woodworking and metal working industries.
- \* Low and medium total pressures from 2 to 15 in. H<sub>2</sub>O and capacities from 647 to 9564 CFM, with maximum temperatures of 140°F.

### OPTIONS

- \* Variety of different fans available

## DIMENSIONS, ETC.

Dust Monkey products are manufactured in metric sizes but described here and on the web site in their closest English equivalent. Representative sizes and dimensions are described here. Custom sizes and materials are available.

Diameters:  
63 mm: 2.5 inches  
75 mm: 3 inches  
100 mm: 4 inches  
125 mm: 5 inches  
160 mm: 6 inches  
200 mm: 8 inches

Lengths:  
1.5m: 5 feet  
2.0m: 6 feet  
3.0m: 10 feet  
4.0m: 13 feet  
5.0m: 16 feet  
6.0m: 20 feet  
7.0m: 23 feet  
8.0m: 26 feet  
9.0m: 30 feet

WWW.DUSTMONKEY.NET

Komodo Enterprises, Inc. DBA  
 Dust Monkey  
 2620 S. Maryland Pkwy  
 Suite 14, Box 863  
 Las Vegas, NV 89109

California Office  
 8915 Research Dr.  
 Irvine CA, 92618

Tel: 949.341.0314  
 Fax: 949.341.0315

E-mail: [info@dustmonkey.net](mailto:info@dustmonkey.net)



*Tough, Durable,  
 Rugged, Reliable,  
 Stout Construction*

Visit all our web sites:  
[WWW.DUSTMONKEY.NET](http://WWW.DUSTMONKEY.NET)  
[WWW.DUCTMONKEY.NET](http://WWW.DUCTMONKEY.NET)  
[WWW.MONKEYARMS.COM](http://WWW.MONKEYARMS.COM)



*Experts in Dust, and  
 Fume Control.*

WWW.DUSTMONKEY.NET

## MODELS AVAILABLE

PA/P	CAPACITY (CFM)	PRESSURE (IN. H2O)	POWER (HP)
PA/P1	1148	2	1
PA/P1	1001	4	1
PA/P1	824	4	1
PA/P1	706	5	1
PA/P1	647	5	1
PA/P2	1913	3	2
PA/P2	1825	3	2
PA/P2	1560	4	2
PA/P2	1295	5	2
PA/P2	1030	5	2
PA/P3	2384	3	3
PA/P3	2178	4	3
PA/P3	2031	5	3
PA/P3	1766	6	3
PA/P3	1295	6	3
PA/P4	3267	3	4
PA/P4	3119	4	4
PA/P4	2590	6	4
PA/P4	2089	7	4
PA/P4	1295	8	4
PA/P5.5	3531	4	5.5
PA/P5.5	3325	5	5.5
PA/P5.5	2913	7	5.5
PA/P5.5	2590	8	5.5
PA/P5.5	1766	9	5.5
PA/P7.5	4561	4	7.5
PA/P7.5	4179	6	7.5
PA/P7.5	3649	8	7.5
PA/P7.5	3002	9	7.5
PA/P7.5	2354	10	7.5
PA/P10	5238	5	10
PA/P10	4885	7	10
PA/P10	4297	9	10
PA/P10	3914	10	10
PA/P10	3267	10	10
PA/P15	7122	6	15
PA/P15	6769	7	15
PA/P15	6121	9	15
PA/P15	4120	12	15
PA/P15	3149	12	15
PA/P20	8417	6	20
PA/P20	8005	8	20
PA/P20	7240	10	20
PA/P20	4885	13	20
PA/P20	3708	14	20
PA/P25	9564	7	25
PA/P25	9094	9	25
PA/P25	8240	11	25

WWW.DUSTMONKEY.NET

Komodo Enterprises, Inc. DBA  
Dust Monkey  
2620 S. Maryland Pkwy  
Suite 14, Box 863  
Las Vegas, NV 89109

California Office  
8915 Research Dr.  
Irvine CA, 92618

Tel: 949.341.0314

Fax: 949.341.0315

E-mail: [info@dustmonkey.net](mailto:info@dustmonkey.net)



*Tough, Durable,  
Rugged, Reliable,  
Stout Construction*

Visit all our web sites:  
[WWW.DUSTMONKEY.NET](http://WWW.DUSTMONKEY.NET)  
[WWW.DUCTMONKEY.NET](http://WWW.DUCTMONKEY.NET)  
[WWW.MONKEYARMS.COM](http://WWW.MONKEYARMS.COM)



*Experts in Dust, and  
Fume Control.*

## TERMS AND CONDITIONS

### PAYMENTS AND TERMS

Prices quoted are good for 30 days unless otherwise noted. Dust Monkey accepts cash, check, wire transfer, or credit cards. All prices are quote in US Dollars, unless otherwise noted. All sales are final. All freight is FOB, Las Vegas, Nevada unless otherwise noted. All goods remain the property of Dust Monkey until paid in full. Payment is due at time of order unless credit has been granted. All past due accounts accrue a service fee of 3% per month. Dust Monkey is a DBA of Komodo Enterprises, Inc., a Nevada Corporation.

### PRIVACY STATEMENT

Komodo Enterprises Inc. respects your privacy and will not divulge your contact information to any third party organization or entity without your express permission. In addition, our web sites gather no unauthorized information from your computer during your visit with us. All phone calls to Dust Monkey may be monitored or recorded.

### ACCURACY

Dust Monkey assumes no responsibility for errors or omissions in this web site or documents which are referenced by or linked to this site. This site could include technical or other inaccuracies. Changes are periodically added to the information, and Dust Monkey may change the products or services described at any time. Contact Customer Service for further information before relying on any information contained herein. The information provided on this site, including text, images, and links, are provided "AS IS" by Dust Monkey solely as a convenience to its visitors. This information is without any warranties, express or implied, including but not limited to warranties of merchantability, fitness for a particular purpose or non-infringement.

### WARRANTY & INDEMNITY

Dust Monkey warrants products it manufactures for a period of 90 days to the original purchaser from the date of purchase. Items not manufactured by Dust Monkey are limited to their own manufacturer's warranties. This warranty does not apply to defects due directly or indirectly to misuse, negligence, accidents, abuse, repairs, or alterations or lack of maintenance. This is Dust Monkey's sole written warranty and any and all warranties that may be implied by law, including any merchantability or fitness, for any particular purpose, are hereby limited to the duration of this written warranty. Dust Monkey does not warrant or represent that the merchandise complies with the provisions of any law or acts. In no event shall Dust Monkey liability under this warranty exceed the purchase price paid for the product. Both parties agree to binding arbitration in Las Vegas, Nevada. Dust Monkey shall in no event be liable for death, injuries to persons or property or for incidental, and contingent, special, or consequential damages arising from the use of our products. Dust Monkey warrants products only for the specific use expressly agreed to at time of purchase by Dust Monkey in writing. Motors should only be started and stopped up to 4 - 10 times per hour. Starting motors more frequently can cause heat build up and can cause the motor overload to trip or cause motor damage. In general, motors should be started and stopped as little as possible for maximum lifespan and best economy (electrical use). \*Note: Motors should be protected from extreme weather to prolong motor life. All claims, including claims covered under the limited warranty, are subject to inspection and investigation before Buyer's claim is settled. Any parts returned for warranty or repair will not be accepted without an RMA number and must be shipped pre-paid. Contact Customer Service with the original bill of sale to obtain an RMA number.

WWW.DUSTMONKEY.NET

# DUST MONKEY PR

WWW.DUSTMONKEY.NET

## SPECIFICATIONS

The PR series of reversed blades centrifugal ventilators, present a field of application with low and medium total heads from 2 to 18 in. H<sub>2</sub>O and capacities from 588 to 10,947 CFM with maximum air temperatures of 140°F. Applications of the PR include suction of dusty air, transport of saw dust and short wooden chips (with exclusion of fibrous materials), suction of grinding dust, transport of granites, meal, wheat, sugars, the extraction of gas, flue gas, steams, welding fumes, or wherever low and medium pressures with less considerable capacities of air are necessary. The impeller, with backward curved blades

of the PR series, together with the accurate design of the volute, give to these ventilators a very high filtering efficiency of 80%. Also due to the backward curved blades impeller, directly coupled to the electric motor the PR ventilators (which give no vibration during performance), ensure a long duration of the bearings and best performance. The PR is constructed of galvanized sheet metal, which makes the ventilator particularly sturdy and perpetually soundproof. The suction inlet and the outlet are provided with flanges to



connect the pipeline; the counter flanges are delivered on request. The PR series is available in all standard positions that are normally offered, with the outlet horizontally turned on the right when looking at the machine from the motor side (PR 1 is turned left only). When ordering, please specify the required position.

### FEATURES

- \* Applications include suction of dusty air, transport of saw dust and short wooden chips, suction of grinding dust, transport of granites, meal, wheat, sugars, the extraction of gas, flue gas, steams, welding fumes, or wherever low and medium pressures with less considerable capacities of air are necessary.
- \* Low and medium total heads from 2 to 18 in. H<sub>2</sub>O and capacities from 588 to 10,947 CFM With maximum air temperatures of 140°F.

### OPTIONS

- \* Gravity Shutter
- \* Protective wire netting
- \* Revolutions regulators and the ventilator capacity for single-phase motors (220 V) or three-phase motors (220 Volt) may be supplied on request.

## DIMENSIONS, ETC.

Dust Monkey products are manufactured in metric sizes but described here and on the web site in their closest English equivalent. Representative sizes and dimensions are described here. Custom sizes and materials are available.

Diameters:  
63 mm: 2.5 inches  
75 mm: 3 inches  
100 mm: 4 inches  
125 mm: 5 inches  
160 mm: 6 inches  
200 mm: 8 inches

Lengths:  
1.5m: 5 feet  
2.0m: 6 feet  
3.0m: 10 feet  
4.0m: 13 feet  
5.0m: 16 feet  
6.0m: 20 feet  
7.0m: 23 feet  
8.0m: 26 feet  
9.0m: 30 feet

WWW.DUSTMONKEY.NET

Komodo Enterprises, Inc. DBA  
Dust Monkey  
2620 S. Maryland Pkwy  
Suite 14, Box 863  
Las Vegas, NV 89109

California Office  
8915 Research Dr.  
Irvine CA, 92618

Tel: 949.341.0314  
Fax: 949.341.0315

E-mail: [info@dustmonkey.net](mailto:info@dustmonkey.net)



*Tough, Durable,  
Rugged, Reliable,  
Stout Construction*

Visit all our web sites:  
[WWW.DUSTMONKEY.NET](http://WWW.DUSTMONKEY.NET)  
[WWW.DUCTMONKEY.NET](http://WWW.DUCTMONKEY.NET)  
[WWW.MONKEYARMS.COM](http://WWW.MONKEYARMS.COM)



*Experts in Dust, and  
Fume Control.*

WWW.DUSTMONKEY.NET

## MODELS AVAILABLE

EER	CAPACITY (CFM)	PRESSURE (IN. H2O)	POWER (HP)
PR/1	942	5	1
PR/1	589	6	1
PR/1.5	1883	2	1.5
PR/1.5	1648	3	1.5
PR/1.5	1413	4	1.5
PR/1.5	1059	5	1.5
PR/1.5	706	6	1.5
PR/2	2590	3	2
PR/2	2354	3	2
PR/2	1942	5	2
PR/2	1648	5	2
PR/2	1236	6	2
PR/3	3237	4	3
PR/3	2884	5	3
PR/3	2354	6	3
PR/3	1942	7	3
PR/3	1471	8	3
PR/4	3649	4	4
PR/4	3061	6	4
PR/4	2531	7	4
PR/4	2119	8	4
PR/4	1589	9	4
PR/5.5	4120	4	5.5
PR/5.5	3531	6	5.5
PR/5.5	3119	7	5.5
PR/5.5	2707	9	5.5
PR/5.5	1766	10	5.5
PR/7.5	5415	5	7.5
PR/7.5	4885	7	7.5
PR/7.5	4120	8	7.5
PR/7.5	2531	11	7.5
PR/7.5	2001	12	7.5
PR/10	5886	6	10
PR/10	5297	8	10
PR/10	4650	9	10
PR/10	3885	11	10
PR/10	2825	13	10
PR/15	6945	7	15
PR/15	6474	8	15
PR/15	5886	10	15
PR/15	4709	12	15
PR/15	3531	14	15
PR/20	9888	6	20
PR/20	8240	10	20
PR/20	6769	12	20
PR/20	5297	14	20
PR/20	3708	16	20
PR/25	10948	8	25

WWW.DUSTMONKEY.NET

Komodo Enterprises, Inc. DBA  
Dust Monkey  
2620 S. Maryland Pkwy  
Suite 14, Box 863  
Las Vegas, NV 89109

California Office  
8915 Research Dr.  
Irvine CA, 92618

Tel: 949.341.0314

Fax: 949.341.0315

E-mail: [info@dustmonkey.net](mailto:info@dustmonkey.net)



*Tough, Durable,  
Rugged, Reliable,  
Stout Construction*

Visit all our web sites:  
[WWW.DUSTMONKEY.NET](http://WWW.DUSTMONKEY.NET)  
[WWW.DUCTMONKEY.NET](http://WWW.DUCTMONKEY.NET)  
[WWW.MONKEYARMS.COM](http://WWW.MONKEYARMS.COM)



*Experts in Dust, and  
Fume Control.*

## TERMS AND CONDITIONS

### PAYMENTS AND TERMS

Prices quoted are good for 30 days unless otherwise noted. Dust Monkey accepts cash, check, wire transfer, or credit cards. All prices are quote in US Dollars, unless otherwise noted. All sales are final. All freight is FOB, Las Vegas, Nevada unless otherwise noted. All goods remain the property of Dust Monkey until paid in full. Payment is due at time of order unless credit has been granted. All past due accounts accrue a service fee of 3% per month. Dust Monkey is a DBA of Komodo Enterprises, Inc., a Nevada Corporation.

### PRIVACY STATEMENT

Komodo Enterprises Inc. respects your privacy and will not divulge your contact information to any third party organization or entity without your express permission. In addition, our web sites gather no unauthorized information from your computer during your visit with us. All phone calls to Dust Monkey may be monitored or recorded.

### ACCURACY

Dust Monkey assumes no responsibility for errors or omissions in this web site or documents which are referenced by or linked to this site. This site could include technical or other inaccuracies. Changes are periodically added to the information, and Dust Monkey may change the products or services described at any time. Contact Customer Service for further information before relying on any information contained herein. The information provided on this site, including text, images, and links, are provided "AS IS" by Dust Monkey solely as a convenience to its visitors. This information is without any warranties, express or implied, including but not limited to warranties of merchantability, fitness for a particular purpose or non-infringement.

### WARRANTY & INDEMNITY

Dust Monkey warrants products it manufactures for a period of 90 days to the original purchaser from the date of purchase. Items not manufactured by Dust Monkey are limited to their own manufacturer's warranties. This warranty does not apply to defects due directly or indirectly to misuse, negligence, accidents, abuse, repairs, or alterations or lack of maintenance. This is Dust Monkey's sole written warranty and any and all warranties that may be implied by law, including any merchantability or fitness, for any particular purpose, are hereby limited to the duration of this written warranty. Dust Monkey does not warrant or represent that the merchandise complies with the provisions of any law or acts. In no event shall Dust Monkey liability under this warranty exceed the purchase price paid for the product. Both parties agree to binding arbitration in Las Vegas, Nevada. Dust Monkey shall in no event be liable for death, injuries to persons or property or for incidental, and contingent, special, or consequential damages arising from the use of our products. Dust Monkey warrants products only for the specific use expressly agreed to at time of purchase by Dust Monkey in writing. Motors should only be started and stopped up to 4 - 10 times per hour. Starting motors more frequently can cause heat build up and can cause the motor overload to trip or cause motor damage. In general, motors should be started and stopped as little as possible for maximum lifespan and best economy (electrical use). \*Note: Motors should be protected from extreme weather to prolong motor life. All claims, including claims covered under the limited warranty, are subject to inspection and investigation before Buyer's claim is settled. Any parts returned for warranty or repair will not be accepted without an RMA number and must be shipped pre-paid. Contact Customer Service with the original bill of sale to obtain an RMA number.

WWW.DUSTMONKEY.NET

# DUST MONKEY EER

WWW.DUSTMONKEY.NET

## SPECIFICATIONS

The EER series of Helical electro ventilators have a wide use with very low static pressures from 0.04 a 0.8 in. H<sub>2</sub>O and high capacity of 1,118 to 2,236 CFM with maximum air temperatures of 140°F. The EER can be used for the extraction of polluted air and fumes from work areas, aeration of workshops, extraction of dusty air (cement factories, mills, foundries, paperwork, etc.), air circulation in heat exchangers, air exchanges in cattle raising sector, extraction in chemical laboratories (varnishing, bakeries, laundries, large kitchens, etc.), or anywhere where a large amount of air

movement is required at low cost. By the simple inversion of the motor rotation (i.e. of the air-flow), the EER may operate both to extract polluted air from the premises and recycle the filtered air back into the work premises. The installation of the EER may be carried out with a horizontal or vertical axis, on the wall, on the ceiling or on the floor, by means of bracket, or situated on the upper flange of the circular tie-band. The EER's reversible blade type impeller, directly coupled to the motor



shaft, is subject to a meticulous static and dynamic balancing. The performance thus gives no vibrations, for a long duration of the bearings and for the maximum performance of the ventilator. Due to this special design, the position of the impeller blades renders the unit noiseless in comparison with other units in this field.

### FEATURES

- \* Can be used for the extraction of polluted air and fumes from work areas, aeration of workshops, extraction of dusty air, air circulation in heat exchangers, air exchanges in cattle raising sector, extraction in chemical laboratories, or anywhere where a large amount of air movement is required at low cost.
- \* Very low static pressures from 0.04 a 0.8 in. H<sub>2</sub>O and high capacity of 1,118 to 2,236 CFM with maximum air temperatures of 140°F.

### OPTIONS

- \* Gravity Shutter
- \* Protective wire netting
- \* Revolutions regulators and the ventilator capacity for single-phase motors (220 V) or three-phase motors (220 Volt) may be supplied on request.

## DIMENSIONS, ETC.

Dust Monkey products are manufactured in metric sizes but described here and on the web site in their closest English equivalent. Representative sizes and dimensions are described here. Custom sizes and materials are available.

Diameters:  
63 mm: 2.5 inches  
75 mm: 3 inches  
100 mm: 4 inches  
125 mm: 5 inches  
160 mm: 6 inches  
200 mm: 8 inches

Lengths:  
1.5m: 5 feet  
2.0m: 6 feet  
3.0m: 10 feet  
4.0m: 13 feet  
5.0m: 16 feet  
6.0m: 20 feet  
7.0m: 23 feet  
8.0m: 26 feet  
9.0m: 30 feet

WWW.DUSTMONKEY.NET

Komodo Enterprises, Inc. DBA  
Dust Monkey  
2620 S. Maryland Pkwy  
Suite 14, Box 863  
Las Vegas, NV 89109

California Office  
8915 Research Dr.  
Irvine CA, 92618

Tel: 949.341.0314  
Fax: 949.341.0315

E-mail: [info@dustmonkey.net](mailto:info@dustmonkey.net)



*Tough, Durable,  
Rugged, Reliable,  
Stout Construction*

Visit all our web sites:  
[WWW.DUSTMONKEY.NET](http://WWW.DUSTMONKEY.NET)  
[WWW.DUCTMONKEY.NET](http://WWW.DUCTMONKEY.NET)  
[WWW.MONKEYARMS.COM](http://WWW.MONKEYARMS.COM)

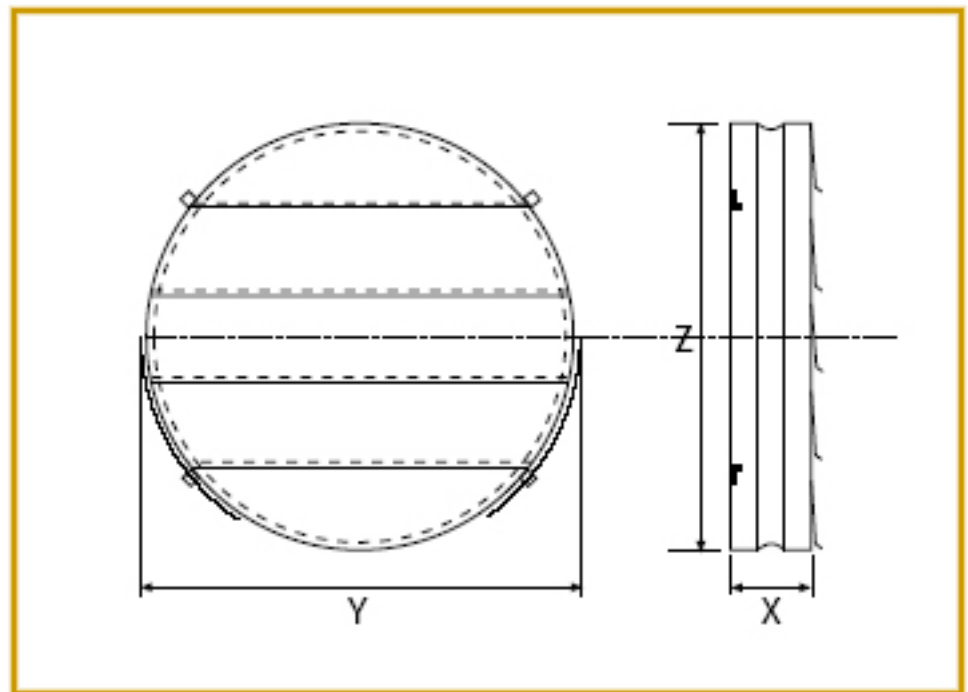


*Experts in Dust, and  
Fume Control.*

WWW.DUSTMONKEY.NET

## MODELS AVAILABLE

EER	POWER (HP)	REVS	VOLTAGE (V)	CAPACITY (CU. FT PER HOUR) TO STATIC PRESSURE (IN. H2O)						DIMENSIONS (INCH)		
				0.04	0.2	0.3	0.4	0.6	0.8	X	Y	Z
300	0.25	1400	230/400	1648	1413	1236	1118			6	15	12
350	0.35	1400	230/400	2237	2001	1825	1648			6	17	15
400	0.35	1400	230/400	2295	2119	1942	1707			6	19	17
450	0.35	1400	230/400	3119	2943	2237	1766			6	21	19
500	0.75	1400	230/400	4414	4179	4061	3590	2649		6	23	20
600	1.5	1400	230/400	8240	8005	7652	7416	5297	4709	8	27	24
600	0.5	900	230/400	5768	5062	3590				8	27	24
700	1	900	230/400	8829	8005	7122				8	31	28
750	1	900	230/400	11772	11183	7652	6474			8	33	31
750	0.5	750	230/400	8240	5886	4120				8	33	31
800	1	750	230/400	11772	10594	8240	6474			8	35	32
1000	3	750	230/400	22366	20600	18834	15892			8	35	32



[WWW.DUSTMONKEY.NET](http://WWW.DUSTMONKEY.NET)

Komodo Enterprises, Inc. DBA  
Dust Monkey  
2620 S. Maryland Pkwy  
Suite 14, Box 863  
Las Vegas, NV 89109

California Office  
8915 Research Dr.  
Irvine CA, 92618

Tel: 949.341.0314  
Fax: 949.341.0315

E-mail: [info@dustmonkey.net](mailto:info@dustmonkey.net)



*Tough, Durable,  
Rugged, Reliable,  
Stout Construction*

Visit all our web sites:  
[WWW.DUSTMONKEY.NET](http://WWW.DUSTMONKEY.NET)  
[WWW.DUCTMONKEY.NET](http://WWW.DUCTMONKEY.NET)  
[WWW.MONKEYARMS.COM](http://WWW.MONKEYARMS.COM)



*Experts in Dust, and  
Fume Control.*

## TERMS AND CONDITIONS

### PAYMENTS AND TERMS

Prices quoted are good for 30 days unless otherwise noted. Dust Monkey accepts cash, check, wire transfer, or credit cards. All prices are quote in US Dollars, unless otherwise noted. All sales are final. All freight is FOB, Las Vegas, Nevada unless otherwise noted. All goods remain the property of Dust Monkey until paid in full. Payment is due at time of order unless credit has been granted. All past due accounts accrue a service fee of 3% per month. Dust Monkey is a DBA of Komodo Enterprises, Inc., a Nevada Corporation.

### PRIVACY STATEMENT

Komodo Enterprises Inc. respects your privacy and will not divulge your contact information to any third party organization or entity without your express permission. In addition, our web sites gather no unauthorized information from your computer during your visit with us. All phone calls to Dust Monkey may be monitored or recorded.

### ACCURACY

Dust Monkey assumes no responsibility for errors or omissions in this web site or documents which are referenced by or linked to this site. This site could include technical or other inaccuracies. Changes are periodically added to the information, and Dust Monkey may change the products or services described at any time. Contact Customer Service for further information before relying on any information contained herein. The information provided on this site, including text, images, and links, are provided "AS IS" by Dust Monkey solely as a convenience to its visitors. This information is without any warranties, express or implied, including but not limited to warranties of merchantability, fitness for a particular purpose or non-infringement.

### WARRANTY & INDEMNITY

Dust Monkey warrants products it manufactures for a period of 90 days to the original purchaser from the date of purchase. Items not manufactured by Dust Monkey are limited to their own manufacturer's warranties. This warranty does not apply to defects due directly or indirectly to misuse, negligence, accidents, abuse, repairs, or alterations or lack of maintenance. This is Dust Monkey's sole written warranty and any and all warranties that may be implied by law, including any merchantability or fitness, for any particular purpose, are hereby limited to the duration of this written warranty. Dust Monkey does not warrant or represent that the merchandise complies with the provisions of any law or acts. In no event shall Dust Monkey liability under this warranty exceed the purchase price paid for the product. Both parties agree to binding arbitration in Las Vegas, Nevada. Dust Monkey shall in no event be liable for death, injuries to persons or property or for incidental, and contingent, special, or consequential damages arising from the use of our products. Dust Monkey warrants products only for the specific use expressly agreed to at time of purchase by Dust Monkey in writing. Motors should only be started and stopped up to 4 - 10 times per hour. Starting motors more frequently can cause heat build up and can cause the motor overload to trip or cause motor damage. In general, motors should be started and stopped as little as possible for maximum lifespan and best economy (electrical use). \*Note: Motors should be protected from extreme weather to prolong motor life. All claims, including claims covered under the limited warranty, are subject to inspection and investigation before Buyer's claim is settled. Any parts returned for warranty or repair will not be accepted without an RMA number and must be shipped pre-paid. Contact Customer Service with the original bill of sale to obtain an RMA number.

[WWW.DUSTMONKEY.NET](http://WWW.DUSTMONKEY.NET)

# DUST MONKEY DFS

WWW.DUSTMONKEY.NET

## SPECIFICATIONS

The brand new DF/S model portable fan is suitable for the suction of fumes, gases, dusts, polluted air, small pneumatic transport of light dusts, and air blowing. It is suitable in all that cases where a quick solution or a simple and flexible installation of an extraction fan is required. Thanks to the minimum weight and dimensions, the DF/S unit can be easily carried, is very practical, and extremely handy for use in a variety of demanding environments. The DF/S is also equipped with a special support so that it can be positioned in any direction, which helps make the fan more useful in different



situations. The special centrifugal electro-fan with open blades impellor, built in painted steel, allows an excellent suction also with a flexible hose of considerable length. The DF/S unit complete with

protection grate on air inlet and outlet is supplied normally in single-phase, 220 V version. with ON/OFF switch on the motor or three-phase, 220/380 V version. A hose may be attached to the fan to assist with extraction of fumes or dusts at a specific source.

### FEATURES

- \* The brand new DF/S model portable fan is suitable for the suction of fumes, gases, dusts, polluted air, small pneumatic transport of light dusts, and air blowing.
- \* Equipped with a special support so that it can be positioned in any direction.
- \* Allows for a great amount of suction with a flexible hose of considerable length.

### OPTIONS

- \* Flexible hose Ø 3", 4", 5", 6", or 7" for welding fumes or dusts.
- \* Flexible hose clamps Ø 3", 4", 5", 6", or 7".
- \* Reduction cones Ø 3", 4", 5", 6", or 7".
- \* Couplings Ø 3", 4", 5", 6", or 7".
- \* A-type (rough dusts) or B-type (fine dusts) felt filtering bag (rough dusts) Ø 12" with a length of 2.5 feet
- \* Filtering bag clamp Ø 12"

## DIMENSIONS, ETC.

Dust Monkey products are manufactured in metric sizes but described here and on the web site in their closest English equivalent. Representative sizes and dimensions are described here. Custom sizes and materials are available.

Diameters:  
63 mm: 2.5 inches  
75 mm: 3 inches  
100 mm: 4 inches  
125 mm: 5 inches  
160 mm: 6 inches  
200 mm: 8 inches

Lengths:  
1.5m: 5 feet  
2.0m: 6 feet  
3.0m: 10 feet  
4.0m: 13 feet  
5.0m: 16 feet  
6.0m: 20 feet  
7.0m: 23 feet  
8.0m: 26 feet  
9.0m: 30 feet

WWW.DUSTMONKEY.NET

Komodo Enterprises, Inc. DBA  
Dust Monkey  
2620 S. Maryland Pkwy  
Suite 14, Box 863  
Las Vegas, NV 89109

California Office  
8915 Research Dr.  
Irvine CA, 92618

Tel: 949.341.0314  
Fax: 949.341.0315

E-mail: info@dustmonkey.net



*Tough, Durable,  
Rugged, Reliable,  
Stout Construction*

Visit all our web sites:  
WWW.DUSTMONKEY.NET  
WWW.DUCTMONKEY.NET  
WWW.MONKEYARMS.COM



*Experts in Dust, and  
Fume Control.*

WWW.DUSTMONKEY.NET

## MODELS AVAILABLE

ET	FAN			MOTOR	TOTAL PRESSURE (INCHES OF H2O)								WEIGHT (LB)	
	POWER (HP)	RPM	SOUND LEVEL dB(A)		0.20	0.39	0.59	0.79	1.18	1.57	1.97	2.36		
10	0.12	900	50	63A6	41	24								35
10	0.16	1400	57	63A4	60	45	41	30						35
20	0.16	900	52	63A6	60	26								48
20	0.24	1400	64	63B4	90	67	60	51	41					48
30	0.24	900	59	71A6	86	52	41							68
30	0.33	1400	69	71A4	127	105	97	90	71	64				68
40	0.24	900	60	71A6	123	122	67	56						79
40	0.67	1400	72	80A4	187	161	150	138	116	94	86			79
50	0.33	900	65	71B6	176	127	105	86	75					101
50	1	1400	75	80B4	283	244	224	207	183	161	144	114		101
60	0.24	700	60	80B8	181	114	79							121
60	0.47	900	68	80A6	187	209	171	152	114					
60	2	1400	78	90L4	417	362	323	303	283	246	228	191		143
70	0.47	700	61	90S8	248	173	142	110						156
70	1	900	69	90S6	374	303	268	236	189	154				156
80	0.67	700	65	90L8	362	248	209	189	130					209
80	2	900	72	100L6	531	437	398	362	303	248	209			209
90	1.47	700	68	100LB8	511	362	323	283	228	189				235
90	2.95	900	75	112M6	744	630	575	535	480	421	366	307		235

WWW.DUSTMONKEY.NET

Komodo Enterprises, Inc. DBA  
Dust Monkey  
2620 S. Maryland Pkwy  
Suite 14, Box 863  
Las Vegas, NV 89109

California Office  
8915 Research Dr.  
Irvine CA, 92618

Tel: 949.341.0314  
Fax: 949.341.0315

E-mail: [info@dustmonkey.net](mailto:info@dustmonkey.net)



*Tough, Durable,  
Rugged, Reliable,  
Stout Construction*

Visit all our web sites:  
[WWW.DUSTMONKEY.NET](http://WWW.DUSTMONKEY.NET)  
[WWW.DUCTMONKEY.NET](http://WWW.DUCTMONKEY.NET)  
[WWW.MONKEYARMS.COM](http://WWW.MONKEYARMS.COM)



*Experts in Dust, and  
Fume Control.*

## TERMS AND CONDITIONS

### PAYMENTS AND TERMS

Prices quoted are good for 30 days unless otherwise noted. Dust Monkey accepts cash, check, wire transfer, or credit cards. All prices are quote in US Dollars, unless otherwise noted. All sales are final. All freight is FOB, Las Vegas, Nevada unless otherwise noted. All goods remain the property of Dust Monkey until paid in full. Payment is due at time of order unless credit has been granted. All past due accounts accrue a service fee of 3% per month. Dust Monkey is a DBA of Komodo Enterprises, Inc., a Nevada Corporation.

### PRIVACY STATEMENT

Komodo Enterprises Inc. respects your privacy and will not divulge your contact information to any third party organization or entity without your express permission. In addition, our web sites gather no unauthorized information from your computer during your visit with us. All phone calls to Dust Monkey may be monitored or recorded.

### ACCURACY

Dust Monkey assumes no responsibility for errors or omissions in this web site or documents which are referenced by or linked to this site. This site could include technical or other inaccuracies. Changes are periodically added to the information, and Dust Monkey may change the products or services described at any time. Contact Customer Service for further information before relying on any information contained herein. The information provided on this site, including text, images, and links, are provided "AS IS" by Dust Monkey solely as a convenience to its visitors. This information is without any warranties, express or implied, including but not limited to warranties of merchantability, fitness for a particular purpose or non-infringement.

### WARRANTY & INDEMNITY

Dust Monkey warrants products it manufactures for a period of 90 days to the original purchaser from the date of purchase. Items not manufactured by Dust Monkey are limited to their own manufacturer's warranties. This warranty does not apply to defects due directly or indirectly to misuse, negligence, accidents, abuse, repairs, or alterations or lack of maintenance. This is Dust Monkey's sole written warranty and any and all warranties that may be implied by law, including any merchantability or fitness, for any particular purpose, are hereby limited to the duration of this written warranty. Dust Monkey does not warrant or represent that the merchandise complies with the provisions of any law or acts. In no event shall Dust Monkey liability under this warranty exceed the purchase price paid for the product. Both parties agree to binding arbitration in Las Vegas, Nevada. Dust Monkey shall in no event be liable for death, injuries to persons or property or for incidental, and contingent, special, or consequential damages arising from the use of our products. Dust Monkey warrants products only for the specific use expressly agreed to at time of purchase by Dust Monkey in writing. Motors should only be started and stopped up to 4 - 10 times per hour. Starting motors more frequently can cause heat build up and can cause the motor overload to trip or cause motor damage. In general, motors should be started and stopped as little as possible for maximum lifespan and best economy (electrical use). \*Note: Motors should be protected from extreme weather to prolong motor life. All claims, including claims covered under the limited warranty, are subject to inspection and investigation before Buyer's claim is settled. Any parts returned for warranty or repair will not be accepted without an RMA number and must be shipped pre-paid. Contact Customer Service with the original bill of sale to obtain an RMA number.

WWW.DUSTMONKEY.NET

# DUST MONKEY ET

WWW.DUSTMONKEY.NET

## SPECIFICATIONS

The ET extraction roof top exhaust fan is used to extract considerable volumes of air with a low amount of pressure. The dimensions and its modest weight facilitate its assembly directly on roofs, both with free aspiration and with connections to ducting. The special choice of materials and the meticulous testing procedure means that the unit is both long lasting and avoids any costly maintenance expenditure. The unit is constructed in galvanized steel and the small fiberglass-reinforced plastic dome guarantees perfect protection against atmospheric agents. The electric motor and fan, statically and dynamically



balanced, guarantee any operational noise is kept to a minimum. The range includes 9 models equipped with tri-phase motors. On request these can be provided with mono-phase motors up to size 90, coupled

with a revolutions variator for better adjustment of the air delivery. On request, it is possible to assemble double speed motors. The roof top exhaust fan, on request and in its special configuration, can operate in continuous service up to a temperature of 392°F.

### FEATURES

- \* Extraction roof top exhaust fan is used to extract considerable volumes of air with a low amount of pressure.
- \* The unit is built to be both long lasting low maintenance!
- \* All units are equipped with three phase motors!
- \* Upon request, can be designed to operate in continuous service up to a temperature of 392°F.

### OPTIONS

- \* Single phase motor
- \* Double speed motors

## DIMENSIONS, ETC.

Dust Monkey products are manufactured in metric sizes but described here and on the web site in their closest English equivalent. Representative sizes and dimensions are described here. Custom sizes and materials are available.

Diameters:  
63 mm: 2.5 inches  
75 mm: 3 inches  
100 mm: 4 inches  
125 mm: 5 inches  
160 mm: 6 inches  
200 mm: 8 inches

Lengths:  
1.5m: 5 feet  
2.0m: 6 feet  
3.0m: 10 feet  
4.0m: 13 feet  
5.0m: 16 feet  
6.0m: 20 feet  
7.0m: 23 feet  
8.0m: 26 feet  
9.0m: 30 feet

WWW.DUSTMONKEY.NET

Komodo Enterprises, Inc. DBA  
Dust Monkey  
2620 S. Maryland Pkwy  
Suite 14, Box 863  
Las Vegas, NV 89109

California Office  
8915 Research Dr.  
Irvine CA, 92618

Tel: 949.341.0314  
Fax: 949.341.0315

E-mail: info@dustmonkey.net



*Tough, Durable,  
Rugged, Reliable,  
Stout Construction*

Visit all our web sites:  
WWW.DUSTMONKEY.NET  
WWW.DUCTMONKEY.NET  
WWW.MONKEYARMS.COM



*Experts in Dust, and  
Fume Control.*

WWW.DUSTMONKEY.NET

## MODELS AVAILABLE

ET	FAN			MOTOR	TOTAL PRESSURE (INCHES OF H2O)								WEIGHT (LB)	
	POWER (HP)	RPM	SOUND LEVEL dB(A)		0.20	0.39	0.59	0.79	1.18	1.57	1.97	2.36		
10	0.12	900	50	63A6	41	24								35
10	0.16	1400	57	63A4	60	45	41	30						35
20	0.16	900	52	63A6	60	26								48
20	0.24	1400	64	63B4	90	67	60	51	41					48
30	0.24	900	59	71A6	86	52	41							68
30	0.33	1400	69	71A4	127	105	97	90	71	64				68
40	0.24	900	60	71A6	123	122	67	56						79
40	0.67	1400	72	80A4	187	161	150	138	116	94	86			79
50	0.33	900	65	71B6	176	127	105	86	75					101
50	1	1400	75	80B4	283	244	224	207	183	161	144	114		101
60	0.24	700	60	80B8	181	114	79							121
60	0.47	900	68	80A6	187	209	171	152	114					
60	2	1400	78	90L4	417	362	323	303	283	246	228	191	143	
70	0.47	700	61	90S8	248	173	142	110						156
70	1	900	69	90S6	374	303	268	236	189	154				156
80	0.67	700	65	90L8	362	248	209	189	130					209
80	2	900	72	100L6	531	437	398	362	303	248	209			209
90	1.47	700	68	100LB8	511	362	323	283	228	189				235
90	2.95	900	75	112M6	744	630	575	535	480	421	366	307		235

WWW.DUSTMONKEY.NET

Komodo Enterprises, Inc. DBA  
Dust Monkey  
2620 S. Maryland Pkwy  
Suite 14, Box 863  
Las Vegas, NV 89109

California Office  
8915 Research Dr.  
Irvine CA, 92618

Tel: 949.341.0314

Fax: 949.341.0315

E-mail: [info@dustmonkey.net](mailto:info@dustmonkey.net)



*Tough, Durable,  
Rugged, Reliable,  
Stout Construction*

Visit all our web sites:  
[WWW.DUSTMONKEY.NET](http://WWW.DUSTMONKEY.NET)  
[WWW.DUCTMONKEY.NET](http://WWW.DUCTMONKEY.NET)  
[WWW.MONKEYARMS.COM](http://WWW.MONKEYARMS.COM)



*Experts in Dust, and  
Fume Control.*

## TERMS AND CONDITIONS

### PAYMENTS AND TERMS

Prices quoted are good for 30 days unless otherwise noted. Dust Monkey accepts cash, check, wire transfer, or credit cards. All prices are quote in US Dollars, unless otherwise noted. All sales are final. All freight is FOB, Las Vegas, Nevada unless otherwise noted. All goods remain the property of Dust Monkey until paid in full. Payment is due at time of order unless credit has been granted. All past due accounts accrue a service fee of 3% per month. Dust Monkey is a DBA of Komodo Enterprises, Inc., a Nevada Corporation.

### PRIVACY STATEMENT

Komodo Enterprises Inc. respects your privacy and will not divulge your contact information to any third party organization or entity without your express permission. In addition, our web sites gather no unauthorized information from your computer during your visit with us. All phone calls to Dust Monkey may be monitored or recorded.

### ACCURACY

Dust Monkey assumes no responsibility for errors or omissions in this web site or documents which are referenced by or linked to this site. This site could include technical or other inaccuracies. Changes are periodically added to the information, and Dust Monkey may change the products or services described at any time. Contact Customer Service for further information before relying on any information contained herein. The information provided on this site, including text, images, and links, are provided "AS IS" by Dust Monkey solely as a convenience to its visitors. This information is without any warranties, express or implied, including but not limited to warranties of merchantability, fitness for a particular purpose or non-infringement.

### WARRANTY & INDEMNITY

Dust Monkey warrants products it manufactures for a period of 90 days to the original purchaser from the date of purchase. Items not manufactured by Dust Monkey are limited to their own manufacturer's warranties. This warranty does not apply to defects due directly or indirectly to misuse, negligence, accidents, abuse, repairs, or alterations or lack of maintenance. This is Dust Monkey's sole written warranty and any and all warranties that may be implied by law, including any merchantability or fitness, for any particular purpose, are hereby limited to the duration of this written warranty. Dust Monkey does not warrant or represent that the merchandise complies with the provisions of any law or acts. In no event shall Dust Monkey liability under this warranty exceed the purchase price paid for the product. Both parties agree to binding arbitration in Las Vegas, Nevada. Dust Monkey shall in no event be liable for death, injuries to persons or property or for incidental, and contingent, special, or consequential damages arising from the use of our products. Dust Monkey warrants products only for the specific use expressly agreed to at time of purchase by Dust Monkey in writing. Motors should only be started and stopped up to 4 - 10 times per hour. Starting motors more frequently can cause heat build up and can cause the motor overload to trip or cause motor damage. In general, motors should be started and stopped as little as possible for maximum lifespan and best economy (electrical use). \*Note: Motors should be protected from extreme weather to prolong motor life. All claims, including claims covered under the limited warranty, are subject to inspection and investigation before Buyer's claim is settled. Any parts returned for warranty or repair will not be accepted without an RMA number and must be shipped pre-paid. Contact Customer Service with the original bill of sale to obtain an RMA number.

WWW.DUSTMONKEY.NET

# DUST MONKEY ICEF

WWW.DUSTMONKEY.NET

## SPECIFICATIONS

Due to the pressure generated by the electric fan located above the unit in order to avoid blockage due to contact with any corrosive or explosive dusts or gases, the polluted air is subjected to hydro centrifugation processing. This allows the air to pass through a centrifugation unit and at the same time hits it with a violent jet of water to capture and demolish any impurities. The air filtered by this process is passed through a series of Chicanes where it deposits any residual drops of water and finally, after having slowed down in the deceleration chamber, it is discharged

into the environment. The water with the captured dusts collects in a lower tank and is continuously recycled via a pump that is designed for the lifting of turbid or muddy liquids, whereas the tank level is maintained constant by applying an electronic level check. The electric control board is included in the supply. The average yield of capture of the dust for the Icef filter unit is approximately 95% for extremely fine particles (5 micron), whereas it reaches 99.8% for particles of the same granulometry or those over 25 micron. Contrary to normal fabric dust removers that require



shaking or cleaning of blocked filters after a certain length of operation, the Icef maintains constant air-flow and pressure losses since it is not equipped with filters or separators.

### FEATURES

- \* The Icef air scrubber can be used in the foundry, metal processing, chemical, mining, and wood industries.
- \* Filter provides an average yield of capture of 95% efficiency.
- \* Since it is not equipped with filters or separators, the Icef maintains constant air-flow and pressure losses.

### OPTIONS

- \* Automatic sludge extractor to render the discharge of dusts operations automatic.
- \* Flameproof version
- \* AFON Silencer

## DIMENSIONS, ETC.

Dust Monkey products are manufactured in metric sizes but described here and on the web site in their closest English equivalent. Representative sizes and dimensions are described here. Custom sizes and materials are available.

Diameters:  
63 mm: 2.5 inches  
75 mm: 3 inches  
100 mm: 4 inches  
125 mm: 5 inches  
160 mm: 6 inches  
200 mm: 8 inches

Lengths:  
1.5m: 5 feet  
2.0m: 6 feet  
3.0m: 10 feet  
4.0m: 13 feet  
5.0m: 16 feet  
6.0m: 20 feet  
7.0m: 23 feet  
8.0m: 26 feet  
9.0m: 30 feet

WWW.DUSTMONKEY.NET

Komodo Enterprises, Inc. DBA  
Dust Monkey  
2620 S. Maryland Pkwy  
Suite 14, Box 863  
Las Vegas, NV 89109

California Office  
8915 Research Dr.  
Irvine CA, 92618

Tel: 949.341.0314

Fax: 949.341.0315

E-mail: info@dustmonkey.net



*Tough, Durable,  
Rugged, Reliable,  
Stout Construction*

Visit all our web sites:  
WWW.DUSTMONKEY.NET  
WWW.DUCTMONKEY.NET  
WWW.MONKEYARMS.COM



*Experts in Dust, and  
Fume Control.*

## MODELS AVAILABLE

ICEF	ELECTRIC FAN				ELECTRIC PUMP				
	MAX AIR FLOW (CFM)	POWER (HP)	RPM	VOLTAGE (V)	POWER (HP)	RPM	VOLTAGE (V)	CAPACITY	WEIGHT (LB)
ICEF 25	1471	4	2800	230/400	2	2800	230/400	12	882
ICEF 45	2649	7.5	2800	400/690	2	2800	230/400	23	1213
ICEF 65	3826	10	2800	400/690	4	2800	230/400	46	1543
ICEF 90	5297	15	2800	400/690	4	2800	230/400	53	2205
ICEF 120	7063	25	2800	400/690	4	2800	230/400	60	3086

WWW.DUSTMONKEY.NET

## TERMS AND CONDITIONS

### PAYMENTS AND TERMS

Prices quoted are good for 30 days unless otherwise noted. Dust Monkey accepts cash, check, wire transfer, or credit cards. All prices are quote in US Dollars, unless otherwise noted. All sales are final. All freight is FOB, Las Vegas, Nevada unless otherwise noted. All goods remain the property of Dust Monkey until paid in full. Payment is due at time of order unless credit has been granted. All past due accounts accrue a service fee of 3% per month. Dust Monkey is a DBA of Komodo Enterprises, Inc., a Nevada Corporation.

### PRIVACY STATEMENT

Komodo Enterprises Inc. respects your privacy and will not divulge your contact information to any third party organization or entity without your express permission. In addition, our web sites gather no unauthorized information from your computer during your visit with us. All phone calls to Dust Monkey may be monitored or recorded.

### ACCURACY

Dust Monkey assumes no responsibility for errors or omissions in this web site or documents which are referenced by or linked to this site. This site could include technical or other inaccuracies. Changes are periodically added to the information, and Dust Monkey may change the products or services described at any time. Contact Customer Service for further information before relying on any information contained herein. The information provided on this site, including text, images, and links, are provided "AS IS" by Dust Monkey solely as a convenience to its visitors. This information is without any warranties, express or implied, including but not limited to warranties of merchantability, fitness for a particular purpose or non-infringement.

### WARRANTY & INDEMNITY

Dust Monkey warrants products it manufactures for a period of 90 days to the original purchaser from the date of purchase. Items not manufactured by Dust Monkey are limited to their own manufacturer's warranties. This warranty does not apply to defects due directly or indirectly to misuse, negligence, accidents, abuse, repairs, or alterations or lack of maintenance. This is Dust Monkey's sole written warranty and any and all warranties that may be implied by law, including any merchantability or fitness, for any particular purpose, are hereby limited to the duration of this written warranty. Dust Monkey does not warrant or represent that the merchandise complies with the provisions of any law or acts. In no event shall Dust Monkey liability under this warranty exceed the purchase price paid for the product. Both parties agree to binding arbitration in Las Vegas, Nevada. Dust Monkey shall in no event be liable for death, injuries to persons or property or for incidental, and contingent, special, or consequential damages arising from the use of our products. Dust Monkey warrants products only for the specific use expressly agreed to at time of purchase by Dust Monkey in writing. Motors should only be started and stopped up to 4 - 10 times per hour. Starting motors more frequently can cause heat build up and can cause the motor overload to trip or cause motor damage. In general, motors should be started and stopped as little as possible for maximum lifespan and best economy (electrical use). \*Note: Motors should be protected from extreme weather to prolong motor life. All claims, including claims covered under the limited warranty, are subject to inspection and investigation before Buyer's claim is settled. Any parts returned for warranty or repair will not be accepted without an RMA number and must be shipped pre-paid. Contact Customer Service with the original bill of sale to obtain an RMA number.

# DUST MONKEY AIRALT

WWW.DUSTMONKEY.NET

## SPECIFICATIONS

The Dust Monkey Airalt cartridge filter with backwashing cleaning capability is composed of cartridge filter elements enclosed in an air tight central body and is intended to be used in vacuum systems. The filter can be used for treatment of fumes and dust in mechanical, chemical, or pharmaceutical applications. The filter works by pulling the contaminated air enters from the coupling below the hopper, and due to the abrupt decrease of velocity and the 1ST stage impact filter, the larger particles decant and fall into the dust

collection bin. The finer or lighter particles flow through the unit, where the filtering cartridges are placed; the contaminated air flows through the cartridges from the outside to the inside, therefore the dust deposits outside and the air flows through the cartridges and is emitted in a purified condition. The gradual accumulation of dust requires a periodical cleaning of the cartridges: the backwashing cleaning is carried out by a compressed air blast which causes a high frequency oscillating motion to the cartridge. The cleaning sequence is carried out in



each filter section, by means of diaphragm magnetic valves managed by a cycle timer, which determines both pause and operating period or by a PLC (which is supplied standard on the unit). This way the filters always maintain maximum efficiency.

FEATURES	OPTIONS
<ul style="list-style-type: none"> <li>* The filter can be used for treatment of fumes and dust in mechanical, chemical, or pharmaceutical applications.</li> <li>* Highly-permeability polyester needle felt ensures longer life and better filtration effectiveness (up to 99%)</li> <li>* Self cleaning system helps lower maintenance and replacement costs!</li> </ul>	<ul style="list-style-type: none"> <li>* Roof-mounted fan (up to 10 HP) with soundproofing box</li> <li>* Cartridges removable from below</li> <li>* Star valve</li> <li>* Filtered air expulsion from roof</li> <li>* Production in stainless steel</li> <li>* Fire extinguisher system</li> <li>* Explosion-proof panel</li> <li>* Supplemental ring with centrifugal separator</li> </ul>

## DIMENSIONS, ETC.

Dust Monkey products are manufactured in metric sizes but described here and on the web site in their closest English equivalent. Representative sizes and dimensions are described here. Custom sizes and materials are available.

Diameters:  
63 mm: 2.5 inches  
75 mm: 3 inches  
100 mm: 4 inches  
125 mm: 5 inches  
160 mm: 6 inches  
200 mm: 8 inches

Lengths:  
1.5m: 5 feet  
2.0m: 6 feet  
3.0m: 10 feet  
4.0m: 13 feet  
5.0m: 16 feet  
6.0m: 20 feet  
7.0m: 23 feet  
8.0m: 26 feet  
9.0m: 30 feet

WWW.DUSTMONKEY.NET

Komodo Enterprises, Inc. DBA  
Dust Monkey  
2620 S. Maryland Pkwy  
Suite 14, Box 863  
Las Vegas, NV 89109

California Office  
8915 Research Dr.  
Irvine CA, 92618

Tel: 949.341.0314  
Fax: 949.341.0315

E-mail: [info@dustmonkey.net](mailto:info@dustmonkey.net)



*Tough, Durable,  
Rugged, Reliable,  
Stout Construction*

Visit all our web sites:  
[WWW.DUSTMONKEY.NET](http://WWW.DUSTMONKEY.NET)  
[WWW.DUCTMONKEY.NET](http://WWW.DUCTMONKEY.NET)  
[WWW.MONKEYARMS.COM](http://WWW.MONKEYARMS.COM)



*Experts in Dust, and  
Fume Control.*

## MODELS AVAILABLE

AIRALT	DUST HOLDING CAPACITY	FILTERING SURFACE	MAX AIR VOLUME (CFM)	MAX OPERATING PRESSURE	Ø OF VALVE (IN)
19	0.6	204	880	101.5	1
24	0.6	258	1175	101.5	1
33	1.94	355	1470	101.5	1.5
40	1.94	460	1880	101.5	1.5
51	1.94	549	2350	101.5	1.5
64	1.94	688	2940	101.5	1.5
81	4.41	870	3820	101.5	1.5
101	4.41	1086	4700	101.5	1.5
122	4.41	1313	5588	101.5	1.5
149	4.41	1604	6765	101.5	1.5
206	4.41	2218	9705	101.5	2
248	4.41	2670	11765	101.5	2
360		3865	16470	101.5	2

WWW.DUSTMONKEY.NET

## TERMS AND CONDITIONS

### PAYMENTS AND TERMS

Prices quoted are good for 30 days unless otherwise noted. Dust Monkey accepts cash, check, wire transfer, or credit cards. All prices are quote in US Dollars, unless otherwise noted. All sales are final. All freight is FOB, Las Vegas, Nevada unless otherwise noted. All goods remain the property of Dust Monkey until paid in full. Payment is due at time of order unless credit has been granted. All past due accounts accrue a service fee of 3% per month. Dust Monkey is a DBA of Komodo Enterprises, Inc., a Nevada Corporation.

### PRIVACY STATEMENT

Komodo Enterprises Inc. respects your privacy and will not divulge your contact information to any third party organization or entity without your express permission. In addition, our web sites gather no unauthorized information from your computer during your visit with us. All phone calls to Dust Monkey may be monitored or recorded.

### ACCURACY

Dust Monkey assumes no responsibility for errors or omissions in this web site or documents which are referenced by or linked to this site. This site could include technical or other inaccuracies. Changes are periodically added to the information, and Dust Monkey may change the products or services described at any time. Contact Customer Service for further information before relying on any information contained herein. The information provided on this site, including text, images, and links, are provided "AS IS" by Dust Monkey solely as a convenience to its visitors. This information is without any warranties, express or implied, including but not limited to warranties of merchantability, fitness for a particular purpose or non-infringement.

### WARRANTY & INDEMNITY

Dust Monkey warrants products it manufactures for a period of 90 days to the original purchaser from the date of purchase. Items not manufactured by Dust Monkey are limited to their own manufacturer's warranties. This warranty does not apply to defects due directly or indirectly to misuse, negligence, accidents, abuse, repairs, or alterations or lack of maintenance. This is Dust Monkey's sole written warranty and any and all warranties that may be implied by law, including any merchantability or fitness, for any particular purpose, are hereby limited to the duration of this written warranty. Dust Monkey does not warrant or represent that the merchandise complies with the provisions of any law or acts. In no event shall Dust Monkey liability under this warranty exceed the purchase price paid for the product. Both parties agree to binding arbitration in Las Vegas, Nevada. Dust Monkey shall in no event be liable for death, injuries to persons or property or for incidental, and contingent, special, or consequential damages arising from the use of our products. Dust Monkey warrants products only for the specific use expressly agreed to at time of purchase by Dust Monkey in writing. Motors should only be started and stopped up to 4 - 10 times per hour. Starting motors more frequently can cause heat build up and can cause the motor overload to trip or cause motor damage. In general, motors should be started and stopped as little as possible for maximum lifespan and best economy (electrical use). \*Note: Motors should be protected from extreme weather to prolong motor life. All claims, including claims covered under the limited warranty, are subject to inspection and investigation before Buyer's claim is settled. Any parts returned for warranty or repair will not be accepted without an RMA number and must be shipped pre-paid. Contact Customer Service with the original bill of sale to obtain an RMA number.

# DUST MONKEY AIRCOM

WWW.DUSTMONKEY.NET

## SPECIFICATIONS

Dust Monkey's Aircom sleeve reverse pulse jet filter is a highly efficient, self maintaining filter for dusts, with fully automatic cleaning by compressed air injection. The unit is manufactured with individual, reinforced, painted steel panels which make for extremely robust construction. The design includes an upper chamber which houses the compressed air cleaning system, the center section which includes the required filtering sleeves, and a lower section with the supporting legs, hopper and polluted air

inlet. Aircom works according to following process: the contaminated air enters from the hopper inlet, and by the strong speed decrease, the larger particles drop into the wheeled waste bin. We also offer a version with pre-chamber (CC) including a system to make the high concentration of dusts that fall enter a pre-chamber instead of the hopper directly. Alternatively the hopper can be equipped with a rotary valve and worm conveyor (CVS). Aircom cleaning is guaranteed by the reverse jet system with compressed air controlled



by the depressure cyclic programmer (PLC) that sends an impulse to the solenoid valves cleaning a row of filtering sleeves each time, which provides a constant loss of charge level and constant air flow.

### FEATURES

- \* The Aircom sleeve reverse pulse jet filter is a highly efficient, self maintaining filter for dusts!
- \* Fully automatic cleaning by compressed air injection.
- \* The hopper can be equipped with a rotary valve and worm conveyor (CVS)

### OPTIONS

- \* Rotary Valve
- \* Settling Chamber
- \* Hopper with screw conveyer
- \* Rotating star valve for continuous unloading from the hopper
- \* Extension Legs
- \* Explosion Relief Panel
- \* Ladder with platform

## DIMENSIONS, ETC.

Dust Monkey products are manufactured in metric sizes but described here and on the web site in their closest English equivalent. Representative sizes and dimensions are described here. Custom sizes and materials are available.

Diameters:  
63 mm: 2.5 inches  
75 mm: 3 inches  
100 mm: 4 inches  
125 mm: 5 inches  
160 mm: 6 inches  
200 mm: 8 inches

Lengths:  
1.5m: 5 feet  
2.0m: 6 feet  
3.0m: 10 feet  
4.0m: 13 feet  
5.0m: 16 feet  
6.0m: 20 feet  
7.0m: 23 feet  
8.0m: 26 feet  
9.0m: 30 feet

WWW.DUSTMONKEY.NET

Komodo Enterprises, Inc. DBA  
 Dust Monkey  
 2620 S. Maryland Pkwy  
 Suite 14, Box 863  
 Las Vegas, NV 89109

California Office  
 8915 Research Dr.  
 Irvine CA, 92618

Tel: 949.341.0314  
 Fax: 949.341.0315

E-mail: [info@dustmonkey.net](mailto:info@dustmonkey.net)



*Tough, Durable,  
 Rugged, Reliable,  
 Stout Construction*

Visit all our web sites:  
[WWW.DUSTMONKEY.NET](http://WWW.DUSTMONKEY.NET)  
[WWW.DUCTMONKEY.NET](http://WWW.DUCTMONKEY.NET)  
[WWW.MONKEYARMS.COM](http://WWW.MONKEYARMS.COM)



*Experts in Dust, and  
 Fume Control.*

WWW.DUSTMONKEY.NET

## MODELS AVAILABLE

AIRCOM	SLEEVE (IN)			DIMENSIONS (IN)			FILTERING SURFACE (SQ FT)
	O	H	N DEGREES	H	A	B	
AIRCOM/T/20-1.5	5	59	1	132	35	41	129
AIRCOM/T/20-2.0	5	79	1	152	35	41	172
AIRCOM/T/20-2.5	5	98	1	171	35	41	205
AIRCOM/T/30-1.5	5	59	1	132	48	44	183
AIRCOM/T/30-2.0	5	79	1	152	48	44	248
AIRCOM/T/30-2.5	5	98	1	171	48	44	312
AIRCOM/T/36-1.5	5	59	1	132	48	48	226
AIRCOM/T/36-2.0	5	79	1	152	48	48	301
AIRCOM/T/36-2.5	5	98	1	171	48	48	377
AIRCOM/T/40-1.5	5	59	2	142	65	42	248
AIRCOM/T/40-2.0	5	79	2	161	65	42	334
AIRCOM/T/40-2.5	5	98	2	181	65	42	409
AIRCOM/T/40-3.0	5	118	2	201	65	42	495
AIRCOM/T/42-1.5	5	59	2	142	48	55	258
AIRCOM/T/42-2.0	5	79	2	161	48	55	344
AIRCOM/T/42-2.5	5	98	2	181	48	55	431
AIRCOM/T/48-1.5	5	59	2	142	48	65	301
AIRCOM/T/48-2.0	5	79	2	161	48	65	398
AIRCOM/T/48-2.5	5	98	2	181	48	65	495
AIRCOM/T/56-1.5	5	59	2	142	55	65	344
AIRCOM/T/56-2.0	5	79	2	161	55	65	452
AIRCOM/T/56-2.5	5	98	2	181	55	65	581
AIRCOM/T/60-1.5	5	59	2	146	48	76	377
AIRCOM/T/60-2.0	5	79	2	165	48	76	506
AIRCOM/T/60-2.5	5	98	2	185	48	76	624
AIRCOM/T/64-1.5	5	59	3	144	62	62	398
AIRCOM/T/64-2.0	5	79	3	163	62	62	538
AIRCOM/T/64-2.5	5	98	3	183	62	62	667
AIRCOM/T/72-1.5	5	59	3	142	69	65	452
AIRCOM/T/72-2.0	5	79	3	161	69	65	603
AIRCOM/T/72-2.5	5	98	3	181	69	65	753
AIRCOM/T/81-2.0	5	79	3	163	69	69	678
AIRCOM/T/81-2.5	5	98	3	183	69	69	850
AIRCOM/T/81-3.0	5	118	3	203	69	69	1012
AIRCOM/T/90-2.0	5	79	4	167	76	69	753
AIRCOM/T/90-2.5	5	98	4	187	76	69	936
AIRCOM/T/90-3.0	5	118	4	207	76	69	1119
AIRCOM/T/84-2.0	5	79	3	165	115	48	700
AIRCOM/T/84-2.5	5	98	3	185	115	48	872
AIRCOM/T/84-3.0	5	118	3	205	115	48	1044
AIRCOM/T/96-2.0	5	79	4	167	97	65	797
AIRCOM/T/96-2.5	5	98	4	187	97	65	990
AIRCOM/T/96-3.0	5	118	4	207	97	65	1195
AIRCOM/T/112-2.0	5	79	4	167	111	65	936
AIRCOM/T/112-2.5	5	98	4	187	111	65	1173
AIRCOM/T/112-3.0	5	118	4	207	111	65	1399
AIRCOM/T/120-2.0	5	79	5	167	94	76	1001
AIRCOM/T/120-2.5	5	98	5	187	94	76	1281
AIRCOM/T/120-3.0	5	118	5	207	94	76	1507
AIRCOM/T/128-2.0	5	79	5	167	124	65	1066
AIRCOM/T/128-2.5	5	98	5	187	124	65	1335
AIRCOM/T/128-3.0	5	118	5	207	124	65	1593
AIRCOM/T/144-2.0	5	79	6	167	138	65	1206

WWW.DUSTMONKEY.NET

Komodo Enterprises, Inc. DBA  
Dust Monkey  
2620 S. Maryland Pkwy  
Suite 14, Box 863  
Las Vegas, NV 89109

California Office  
8915 Research Dr.  
Irvine CA, 92618

Tel: 949.341.0314  
Fax: 949.341.0315  
E-mail: info@dustmonkey.net



*Tough, Durable,  
Rugged, Reliable,  
Stout Construction*

Visit all our web sites:  
WWW.DUSTMONKEY.NET  
WWW.DUCTMONKEY.NET  
WWW.MONKEYARMS.COM



*Experts in Dust, and  
Fume Control.*

WWW.DUSTMONKEY.NET

## MODELS AVAILABLE

AIRCOM (CONTINUED)	SLEEVE (IN)			DIMENSIONS			FILTERING SURFACE (SQ FT)
	O	H	N DEGREES	H	A	B	
AIRCOM/T/144-2.5	5	98	6	187	138	65	1507
AIRCOM/T/144-3.0	5	118	6	207	138	65	1798
AIRCOM/T/152-2.0	5	79	6	167	145	65	1259
AIRCOM/T/152-2.5	5	98	6	187	145	65	1582
AIRCOM/T/152-3.0	5	118	6	207	145	65	1894
AIRCOM/T/162-2.0	5	79	6	167	138	69	1345
AIRCOM/T/162-2.5	5	98	6	187	138	69	1679
AIRCOM/T/162-3.0	5	118	6	207	138	69	2024
AIRCOM/T/176-2.0	5	79	7	175	165	65	1464
AIRCOM/T/176-2.5	5	98	7	195	165	65	1830
AIRCOM/T/176-3.0	5	118	7	215	165	65	2196
AIRCOM/T/180-2.0	5	79	7	167	138	77	1496
AIRCOM/T/180-2.5	5	98	7	187	138	77	1873
AIRCOM/T/180-3.0	5	118	7	207	138	77	2250
AIRCOM/T/192-2.0	5	79	8	167	187	62	1593
AIRCOM/T/192-2.5	5	98	8	187	187	62	1991
AIRCOM/T/192-3.0	5	118	8	207	187	62	2390
AIRCOM/T/216-2.0	5	79	9	167	200	65	1808
AIRCOM/T/216-2.5	5	98	9	187	200	65	2260
AIRCOM/T/216-3.0	5	118	9	207	200	65	2691
AIRCOM/T/224-2.0	5	79	9	167	207	65	1862
AIRCOM/T/224-2.5	5	98	9	187	207	65	2411
AIRCOM/T/224-3.0	5	118	9	207	207	65	2799
AIRCOM/T/240-2.0	5	79	9	175	228	62	1991
AIRCOM/T/240-2.5	5	98	9	195	228	62	2497
AIRCOM/T/240-3.0	5	118	9	215	228	62	2992
AIRCOM/T/243-2.0	5	79	10	167	207	69	2024
AIRCOM/T/243-2.5	5	98	10	187	207	69	2530
AIRCOM/T/243-3.0	5	118	10	207	207	69	3035
AIRCOM/T/247-2.0	5	79	10	171	211	73	2056
AIRCOM/T/247-2.5	5	98	10	191	211	73	2573
AIRCOM/T/247-3.0	5	118	10	211	211	73	3078
AIRCOM/T/255-2.0	5	79	10	171	217	73	2120
AIRCOM/T/255-2.5	5	98	10	191	217	73	2648
AIRCOM/T/255-3.0	5	118	10	211	217	73	3175
AIRCOM/T/300-2.0	5	79	12	175	228	76	2497
AIRCOM/T/300-2.5	5	98	12	195	228	76	3122
AIRCOM/T/300-3.0	5	118	12	215	228	76	3660
AIRCOM/T/330-2.0	5	79	13	179	249	76	2745
AIRCOM/T/330-2.5	5	98	13	199	249	76	3434
AIRCOM/T/330-3.0	5	118	13	219	249	76	4123
AIRCOM/T/360-2.0	5	79	14	191	269	76	2992
AIRCOM/T/360-2.5	5	98	14	211	269	76	3735
AIRCOM/T/360-3.0	5	118	14	230	269	76	4381

WWW.DUSTMONKEY.NET

Komodo Enterprises, Inc. DBA  
Dust Monkey  
2620 S. Maryland Pkwy  
Suite 14, Box 863  
Las Vegas, NV 89109

California Office  
8915 Research Dr.  
Irvine CA, 92618

Tel: 949.341.0314

Fax: 949.341.0315

E-mail: [info@dustmonkey.net](mailto:info@dustmonkey.net)



*Tough, Durable,  
Rugged, Reliable,  
Stout Construction*

Visit all our web sites:  
[WWW.DUSTMONKEY.NET](http://WWW.DUSTMONKEY.NET)  
[WWW.DUCTMONKEY.NET](http://WWW.DUCTMONKEY.NET)  
[WWW.MONKEYARMS.COM](http://WWW.MONKEYARMS.COM)



*Experts in Dust, and  
Fume Control.*

## TERMS AND CONDITIONS

### PAYMENTS AND TERMS

Prices quoted are good for 30 days unless otherwise noted. Dust Monkey accepts cash, check, wire transfer, or credit cards. All prices are quote in US Dollars, unless otherwise noted. All sales are final. All freight is FOB, Las Vegas, Nevada unless otherwise noted. All goods remain the property of Dust Monkey until paid in full. Payment is due at time of order unless credit has been granted. All past due accounts accrue a service fee of 3% per month. Dust Monkey is a DBA of Komodo Enterprises, Inc., a Nevada Corporation.

### PRIVACY STATEMENT

Komodo Enterprises Inc. respects your privacy and will not divulge your contact information to any third party organization or entity without your express permission. In addition, our web sites gather no unauthorized information from your computer during your visit with us. All phone calls to Dust Monkey may be monitored or recorded.

### ACCURACY

Dust Monkey assumes no responsibility for errors or omissions in this web site or documents which are referenced by or linked to this site. This site could include technical or other inaccuracies. Changes are periodically added to the information, and Dust Monkey may change the products or services described at any time. Contact Customer Service for further information before relying on any information contained herein. The information provided on this site, including text, images, and links, are provided "AS IS" by Dust Monkey solely as a convenience to its visitors. This information is without any warranties, express or implied, including but not limited to warranties of merchantability, fitness for a particular purpose or non-infringement.

### WARRANTY & INDEMNITY

Dust Monkey warrants products it manufactures for a period of 90 days to the original purchaser from the date of purchase. Items not manufactured by Dust Monkey are limited to their own manufacturer's warranties. This warranty does not apply to defects due directly or indirectly to misuse, negligence, accidents, abuse, repairs, or alterations or lack of maintenance. This is Dust Monkey's sole written warranty and any and all warranties that may be implied by law, including any merchantability or fitness, for any particular purpose, are hereby limited to the duration of this written warranty. Dust Monkey does not warrant or represent that the merchandise complies with the provisions of any law or acts. In no event shall Dust Monkey liability under this warranty exceed the purchase price paid for the product. Both parties agree to binding arbitration in Las Vegas, Nevada. Dust Monkey shall in no event be liable for death, injuries to persons or property or for incidental, and contingent, special, or consequential damages arising from the use of our products. Dust Monkey warrants products only for the specific use expressly agreed to at time of purchase by Dust Monkey in writing. Motors should only be started and stopped up to 4 - 10 times per hour. Starting motors more frequently can cause heat build up and can cause the motor overload to trip or cause motor damage. In general, motors should be started and stopped as little as possible for maximum lifespan and best economy (electrical use). \*Note: Motors should be protected from extreme weather to prolong motor life. All claims, including claims covered under the limited warranty, are subject to inspection and investigation before Buyer's claim is settled. Any parts returned for warranty or repair will not be accepted without an RMA number and must be shipped pre-paid. Contact Customer Service with the original bill of sale to obtain an RMA number.

WWW.DUSTMONKEY.NET

# DUST MONKEY AIRCOMPACT

WWW.DUSTMONKEY.NET

## SPECIFICATIONS

The Dust Monkey Aircompact cartridge filter with reverse pulse compressed air washing is composed of cartridge filtering elements enclosed in a central hermetic sealed unit, and is designed for use in depressurizing systems. The air to be filtered enters through the coupling at the base of the hopper and, due to the sharp decrease in speed and pre-fragmentation on impact, the particles with the highest granulometry settle down and end up in the collection bin. The finer or lighter particles then rise in the unit to the area containing the

cartridge filters. The polluted air passes through the cartridge filters, from the outside to the inside, so that the dust deposits externally whereas the air returns upwards through the cartridges and exits purified. This progressive depositing of dust means that the cartridge filters must be cleaned periodically: a jet of compressed air allows reverse pulse washing and subjects the cartridge filters to a high frequency oscillating motion. The filters are cleaned by sector, through membrane solenoid valves, controlled by a cycle timer that sets



the pauses or running times with a PLC. This permanently maintains the filter efficiency status at maximum levels. This type of cleaning, extremely reliable, after an initial running period, means that the filter reaches a stable pressure loss value that remains practically constant throughout its working life cycle.

### FEATURES

- \* Cartridge filter used to filter dust or contaminated air!
- \* Highly-permeability polyester needle felt ensures longer life and better filtration effectiveness (up to 99%)
- \* Self cleaning system helps lower maintenance and replacement costs!

### OPTIONS

- \* Different types of filtering media available, including: Teflon coated polyester - aluminated/antistatic - oil/water repellent, or cellulose fabric
- \* Rotating Star Valve, for continuous unloading from hopper, different models available
- \* Cyclic Programmer, a sealed container is used with a transparent lid, duration of injection and pause phases are preset but easily changeable.

## DIMENSIONS, ETC.

Dust Monkey products are manufactured in metric sizes but described here and on the web site in their closest English equivalent. Representative sizes and dimensions are described here. Custom sizes and materials are available.

Diameters:  
63 mm: 2.5 inches  
75 mm: 3 inches  
100 mm: 4 inches  
125 mm: 5 inches  
160 mm: 6 inches  
200 mm: 8 inches

Lengths:  
1.5m: 5 feet  
2.0m: 6 feet  
3.0m: 10 feet  
4.0m: 13 feet  
5.0m: 16 feet  
6.0m: 20 feet  
7.0m: 23 feet  
8.0m: 26 feet  
9.0m: 30 feet

WWW.DUSTMONKEY.NET

Komodo Enterprises, Inc. DBA  
Dust Monkey  
2620 S. Maryland Pkwy  
Suite 14, Box 863  
Las Vegas, NV 89109

California Office  
8915 Research Dr.  
Irvine CA, 92618

Tel: 949.341.0314  
Fax: 949.341.0315

E-mail: [info@dustmonkey.net](mailto:info@dustmonkey.net)



*Tough, Durable,  
Rugged, Reliable,  
Stout Construction*

Visit all our web sites:  
[WWW.DUSTMONKEY.NET](http://WWW.DUSTMONKEY.NET)  
[WWW.DUCTMONKEY.NET](http://WWW.DUCTMONKEY.NET)  
[WWW.MONKEYARMS.COM](http://WWW.MONKEYARMS.COM)



*Experts in Dust, and  
Fume Control.*

WWW.DUSTMONKEY.NET

## MODELS AVAILABLE

AIRCOMPACT	N° CARTRIDGES	FILTERING SURFACE	N° OF TANKS	AIR VOLUME	N° VALVES	N° INLETS	N° OUTLETS	MAX AIR FLOW
6 C 700	6	700	1x Ø 8"	1.2	3x1.5	1	1	2100
6 C 1000	6	1010	1x Ø 8"	1.2	3x1.5	1	1	3000
6 C 1200	6	1215	1x Ø 8"	1.2	3x1.5	1	1	3600
8 C 1000	8	1345	1x Ø 8"	1.6	4x1.5	1	1	4000
8 C 1200	8	1615	1x Ø 8"	1.6	4x1.5	1	1	4800
12 C 1000	12	2020	2x Ø 8"	2.4	6x1.5	1	1	6000
12 C 1200	12	2430	2x Ø 8"	2.4	6x1.5	1	1	7300
16 C 1000	16	2690	1x Ø 10"	2.5	4x2	2	1	8000
16 C 1200	16	3230	1x Ø 10"	2.5	4x2	2	1	9700
24 C 1000	18	3035	3x Ø 8"	3.6	9x1.5	3	3	9100
24 C 1200	18	3636	3x Ø 8"	3.6	9x1.5	3	3	11000
18 C 1000	24	4040	1x Ø 10"	4	6x2	2	2	12200
18 C 1200	24	4860	1x Ø 10"	4	6x2	2	2	14500
36 C 1000	36	6060	3x Ø 10"	5.8	9x2	3	3	18200
36 C 1200	36	7260	3x Ø 10"	5.8	9x2	3	3	21700

## TERMS AND CONDITIONS

### PAYMENTS AND TERMS

Prices quoted are good for 30 days unless otherwise noted. Dust Monkey accepts cash, check, wire transfer, or credit cards. All prices are quote in US Dollars, unless otherwise noted. All sales are final. All freight is FOB, Las Vegas, Nevada unless otherwise noted. All goods remain the property of Dust Monkey until paid in full. Payment is due at time of order unless credit has been granted. All past due accounts accrue a service fee of 3% per month. Dust Monkey is a DBA of Komodo Enterprises, Inc., a Nevada Corporation.

### PRIVACY STATEMENT

Komodo Enterprises Inc. respects your privacy and will not divulge your contact information to any third party organization or entity without your express permission. In addition, our web sites gather no unauthorized information from your computer during your visit with us. All phone calls to Dust Monkey may be monitored or recorded.

### ACCURACY

Dust Monkey assumes no responsibility for errors or omissions in this web site or documents which are referenced by or linked to this site. This site could include technical or other inaccuracies. Changes are periodically added to the information, and Dust Monkey may change the products or services described at any time. Contact Customer Service for further information before relying on any information contained herein. The information provided on this site, including text, images, and links, are provided "AS IS" by Dust Monkey solely as a convenience to its visitors. This information is without any warranties, express or implied, including but not limited to warranties of merchantability, fitness for a particular purpose or non-infringement.

### WARRANTY & INDEMNITY

Dust Monkey warrants products it manufactures for a period of 90 days to the original purchaser from the date of purchase. Items not manufactured by Dust Monkey are limited to their own manufacturer's warranties. This warranty does not apply to defects due directly or indirectly to misuse, negligence, accidents, abuse, repairs, or alterations or lack of maintenance. This is Dust Monkey's sole written warranty and any and all warranties that may be implied by law, including any merchantability or fitness, for any particular purpose, are hereby limited to the duration of this written warranty. Dust Monkey does not warrant or represent that the merchandise complies with the provisions of any law or acts. In no event shall Dust Monkey liability under this warranty exceed the purchase price paid for the product. Both parties agree to binding arbitration in Las Vegas, Nevada. Dust Monkey shall in no event be liable for death, injuries to persons or property or for incidental, and contingent, special, or consequential damages arising from the use of our products. Dust Monkey warrants products only for the specific use expressly agreed to at time of purchase by Dust Monkey in writing. Motors should only be started and stopped up to 4 - 10 times per hour. Starting motors more frequently can cause heat build up and can cause the motor overload to trip or cause motor damage. In general, motors should be started and stopped as little as possible for maximum lifespan and best economy (electrical use). \*Note: Motors should be protected from extreme weather to prolong motor life. All claims, including claims covered under the limited warranty, are subject to inspection and investigation before Buyer's claim is settled. Any parts returned for warranty or repair will not be accepted without an RMA number and must be shipped pre-paid. Contact Customer Service with the original bill of sale to obtain an RMA number.

# DUST MONKEY ECOFIL

WWW.DUSTMONKEY.NET

## SPECIFICATIONS

Cleaning motor vehicle and filtering cartridges in general air filters without the proper tools is a difficult and unhealthy operation, leading to the dispersion of large quantities of dust in the work environment. In the majority of cases such difficulties mean filters tend to be replaced when they could easily be reused, with significant savings in terms of costs. Dust Monkey offers its the Ecofil filter, which allows for the rapid, economic and clean restoration of air filters. Given the simplicity of cleaning filters with Ecofil, this process can be

frequently carried out, thus restoring the maximum possible filtering efficiency. The Ecofil unit comprises a cleaning chamber, with a hatch for installing cartridges, and a ducting connection; the chamber is mounted on 4 legs and connected to a filter (optional) that depresses the chamber, returning the filtered air to the environment. Ecofil comes in two versions: A and C) manual control, B) automatic control. In the manual control version, the cartridge is introduced by means of the hatch, lowering the cartridge cap



and switching on the aspirator group. In the automatic control version, once the cartridge has been introduced, simply press the cycle start button on the panel, after which the entire process is carried out automatically.

### FEATURES

- \* The filter allows for the rapid, economic and clean restoration of air filters!
- \* Cleans filters so that they may be reused, lowering costs associated with buying replacement filters.
- \* Both automatic and manual versions available!

### OPTIONS

- \* Filters available
- \* Manual or automatic cleaning process
- \* Nozzle extension compressed air gun

## DIMENSIONS, ETC.

Dust Monkey products are manufactured in metric sizes but described here and on the web site in their closest English equivalent. Representative sizes and dimensions are described here. Custom sizes and materials are available.

Diameters:  
63 mm: 2.5 inches  
75 mm: 3 inches  
100 mm: 4 inches  
125 mm: 5 inches  
160 mm: 6 inches  
200 mm: 8 inches

Lengths:  
1.5m: 5 feet  
2.0m: 6 feet  
3.0m: 10 feet  
4.0m: 13 feet  
5.0m: 16 feet  
6.0m: 20 feet  
7.0m: 23 feet  
8.0m: 26 feet  
9.0m: 30 feet

WWW.DUSTMONKEY.NET

Komodo Enterprises, Inc. DBA  
Dust Monkey  
2620 S. Maryland Pkwy  
Suite 14, Box 863  
Las Vegas, NV 89109

California Office  
8915 Research Dr.  
Irvine CA, 92618

Tel: 949.341.0314  
Fax: 949.341.0315

E-mail: [info@dustmonkey.net](mailto:info@dustmonkey.net)



*Tough, Durable,  
Rugged, Reliable,  
Stout Construction*

Visit all our web sites:  
[WWW.DUSTMONKEY.NET](http://WWW.DUSTMONKEY.NET)  
[WWW.DUCTMONKEY.NET](http://WWW.DUCTMONKEY.NET)  
[WWW.MONKEYARMS.COM](http://WWW.MONKEYARMS.COM)



*Experts in Dust, and  
Fume Control.*

## MODELS AVAILABLE

ECOFIL	POWER (HP)	FILTERING SURFACE (SQ FT)	MAX DELIVERY (CFM)	AVERAGE SOUND LEVEL dB(A)	Ø OF INTAKE OPENING (IN)	WEIGHT (LB)
100	2	48.5	529	64	4	375
140	3	96.9	882	66	5.69	441
160	3	96.9	1059	66	6.37	441
200	5.5	193.8	1764	69	8	705

WWW.DUSTMONKEY.NET

## TERMS AND CONDITIONS

### PAYMENTS AND TERMS

Prices quoted are good for 30 days unless otherwise noted. Dust Monkey accepts cash, check, wire transfer, or credit cards. All prices are quote in US Dollars, unless otherwise noted. All sales are final. All freight is FOB, Las Vegas, Nevada unless otherwise noted. All goods remain the property of Dust Monkey until paid in full. Payment is due at time of order unless credit has been granted. All past due accounts accrue a service fee of 3% per month. Dust Monkey is a DBA of Komodo Enterprises, Inc., a Nevada Corporation.

### PRIVACY STATEMENT

Komodo Enterprises Inc. respects your privacy and will not divulge your contact information to any third party organization or entity without your express permission. In addition, our web sites gather no unauthorized information from your computer during your visit with us. All phone calls to Dust Monkey may be monitored or recorded.

### ACCURACY

Dust Monkey assumes no responsibility for errors or omissions in this web site or documents which are referenced by or linked to this site. This site could include technical or other inaccuracies. Changes are periodically added to the information, and Dust Monkey may change the products or services described at any time. Contact Customer Service for further information before relying on any information contained herein. The information provided on this site, including text, images, and links, are provided "AS IS" by Dust Monkey solely as a convenience to its visitors. This information is without any warranties, express or implied, including but not limited to warranties of merchantability, fitness for a particular purpose or non-infringement.

### WARRANTY & INDEMNITY

Dust Monkey warrants products it manufactures for a period of 90 days to the original purchaser from the date of purchase. Items not manufactured by Dust Monkey are limited to their own manufacturer's warranties. This warranty does not apply to defects due directly or indirectly to misuse, negligence, accidents, abuse, repairs, or alterations or lack of maintenance. This is Dust Monkey's sole written warranty and any and all warranties that may be implied by law, including any merchantability or fitness, for any particular purpose, are hereby limited to the duration of this written warranty. Dust Monkey does not warrant or represent that the merchandise complies with the provisions of any law or acts. In no event shall Dust Monkey liability under this warranty exceed the purchase price paid for the product. Both parties agree to binding arbitration in Las Vegas, Nevada. Dust Monkey shall in no event be liable for death, injuries to persons or property or for incidental, and contingent, special, or consequential damages arising from the use of our products. Dust Monkey warrants products only for the specific use expressly agreed to at time of purchase by Dust Monkey in writing. Motors should only be started and stopped up to 4 - 10 times per hour. Starting motors more frequently can cause heat build up and can cause the motor overload to trip or cause motor damage. In general, motors should be started and stopped as little as possible for maximum lifespan and best economy (electrical use). \*Note: Motors should be protected from extreme weather to prolong motor life. All claims, including claims covered under the limited warranty, are subject to inspection and investigation before Buyer's claim is settled. Any parts returned for warranty or repair will not be accepted without an RMA number and must be shipped pre-paid. Contact Customer Service with the original bill of sale to obtain an RMA number.

# DUST MONKEY CFS

WWW.DUSTMONKEY.NET

## SPECIFICATIONS

The CFS is designed for the elimination of coarse dust particles, chips, sawdust and metal dust. The built-in pre-filter allows larger particles to settle before reaching the main filter, which means that the unit requires less frequent cleaning or replacing of the filter. The CFS cyclone filter moves the dust to a tangent within the unit, and causes it to swirl downward as a result of its weight and the centrifugal force. The clean, filtered air exits upwards, while the dust collects in the collection container below. This special, cyclone design allows the CFS cyclone filter to have a very high filtration

efficiency rate. The unit itself is constructed of painted sheet metal (stainless steel also available) for a sturdy, tough, and dependable design. The CFS 5.5 unit can handle up to 1,765 CFM, while the CFS 7.5 unit can handle up to 2,942 CFM. For higher flow rates, it is possible to use a number of cyclones connected in parallel to achieve desired results. Also available are a wide range of cyclones with high and medium efficiency. Options include a rubber joint and a wheeled cylindrical bin. The unit is perfect for dust, sawdust, and metal dust removal.



### FEATURES

- \* The CFS is designed for the elimination of coarse dust particles, chips, sawdust and metal dust. The built-in pre-filter allows larger particles to settle before reaching the main filter, which then require less frequent cleaning or replacing of the filter.
- \* Causes a cyclone effect that helps separate materials in the air!
- \* Pre-filter helps lessen the number of times it is required to change or clean the main filter.

### OPTIONS

- \* Rubber joint
- \* Wheeled cylindrical bin
- \* Stainless steel design available

## DIMENSIONS, ETC.

Dust Monkey products are manufactured in metric sizes but described here and on the web site in their closest English equivalent. Representative sizes and dimensions are described here. Custom sizes and materials are available.

Diameters:  
63 mm: 2.5 inches  
75 mm: 3 inches  
100 mm: 4 inches  
125 mm: 5 inches  
160 mm: 6 inches  
200 mm: 8 inches

Lengths:  
1.5m: 5 feet  
2.0m: 6 feet  
3.0m: 10 feet  
4.0m: 13 feet  
5.0m: 16 feet  
6.0m: 20 feet  
7.0m: 23 feet  
8.0m: 26 feet  
9.0m: 30 feet

WWW.DUSTMONKEY.NET

Komodo Enterprises, Inc. DBA  
Dust Monkey  
2620 S. Maryland Pkwy  
Suite 14, Box 863  
Las Vegas, NV 89109

California Office  
8915 Research Dr.  
Irvine CA, 92618

Tel: 949.341.0314  
Fax: 949.341.0315  
E-mail: info@dustmonkey.net



*Tough, Durable,  
Rugged, Reliable,  
Stout Construction*

Visit all our web sites:  
WWW.DUSTMONKEY.NET  
WWW.DUCTMONKEY.NET  
WWW.MONKEYARMS.COM

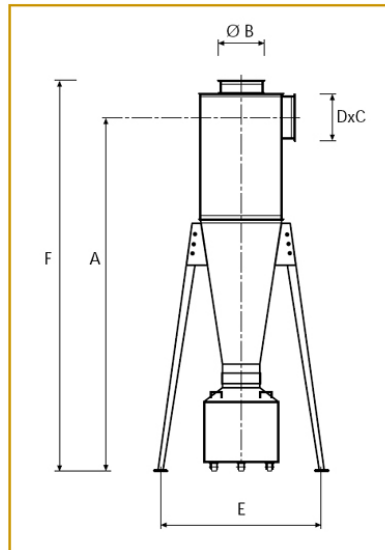


*Experts in Dust, and  
Fume Control.*

WWW.DUSTMONKEY.NET

## MODELS AVAILABLE

CFS	DIMENSIONS (IN)							
	CAPACITY (CFM)	CAPACITY OF STOCK (CU FT)	A	B	C	D	E	F
CFS 5.5	1177	4	92	11	5	12	36	106
CFS 7.5	1471	4	108	12	7	14	77	122



## TERMS AND CONDITIONS

### PAYMENTS AND TERMS

Prices quoted are good for 30 days unless otherwise noted. Dust Monkey accepts cash, check, wire transfer, or credit cards. All prices are quote in US Dollars, unless otherwise noted. All sales are final. All freight is FOB, Las Vegas, Nevada unless otherwise noted. All goods remain the property of Dust Monkey until paid in full. Payment is due at time of order unless credit has been granted. All past due accounts accrue a service fee of 3% per month. Dust Monkey is a DBA of Komodo Enterprises, Inc., a Nevada Corporation.

### PRIVACY STATEMENT

Komodo Enterprises Inc. respects your privacy and will not divulge your contact information to any third party organization or entity without your express permission. In addition, our web sites gather no unauthorized information from your computer during your visit with us. All phone calls to Dust Monkey may be monitored or recorded.

### ACCURACY

Dust Monkey assumes no responsibility for errors or omissions in this web site or documents which are referenced by or linked to this site. This site could include technical or other inaccuracies. Changes are periodically added to the information, and Dust Monkey may change the products or services described at any time. Contact Customer Service for further information before relying on any information contained herein. The information provided on this site, including text, images, and links, are provided "AS IS" by Dust Monkey solely as a convenience to its visitors. This information is without any warranties, express or implied, including but not limited to warranties of merchantability, fitness for a particular purpose or non-infringement.

### WARRANTY & INDEMNITY

Dust Monkey warrants products it manufactures for a period of 90 days to the original purchaser from the date of purchase. Items not manufactured by Dust Monkey are limited to their own manufacturer's warranties. This warranty does not apply to defects due directly or indirectly to misuse, negligence, accidents, abuse, repairs, or alterations or lack of maintenance. This is Dust Monkey's sole written warranty and any and all warranties that may be implied by law, including any merchantability or fitness, for any particular purpose, are hereby limited to the duration of this written warranty. Dust Monkey does not warrant or represent that the merchandise complies with the provisions of any law or acts. In no event shall Dust Monkey liability under this warranty exceed the purchase price paid for the product. Both parties agree to binding arbitration in Las Vegas, Nevada. Dust Monkey shall in no event be liable for death, injuries to persons or property or for incidental, and contingent, special, or consequential damages arising from the use of our products. Dust Monkey warrants products only for the specific use expressly agreed to at time of purchase by Dust Monkey in writing. Motors should only be started and stopped up to 4 - 10 times per hour. Starting motors more frequently can cause heat build up and can cause the motor overload to trip or cause motor damage. In general, motors should be started and stopped as little as possible for maximum lifespan and best economy (electrical use). \*Note: Motors should be protected from extreme weather to prolong motor life. All claims, including claims covered under the limited warranty, are subject to inspection and investigation before Buyer's claim is settled. Any parts returned for warranty or repair will not be accepted without an RMA number and must be shipped pre-paid. Contact Customer Service with the original bill of sale to obtain an RMA number.

# DUST MONKEY BS

WWW.DUSTMONKEY.NET

## SPECIFICATIONS

The BS model of exhaust benches are used for welding, trimming, grinding and smoothing operations in the wood, marble, metal, and foundry industries. The careful placement of the exhaust slots in our benches allows for full dust and toxic fume extraction at the source, before they are breathed in by operators. The use of galvanized sheet metal gives the BS bench a sturdy design and also prevents the continuous treatment



of the surfaces following use, or their deterioration as normally would occur with painted benches. The internal housing of the fan allows the overall dimensions of the BS bench to be reduced, making its size more compact. The work surface and the front suction walls are retractable to allow inside inspection and

enable large-sized parts to be placed on the bench. Slag and heavy dust from operations are deposited inside the bench and are easily removed using the extractable collection tray at the bottom of the bench. The BS exhaust bench can also be fitted with a Universal No-Smoke arm to assist with fume or dust extraction.

### FEATURES

- \* For welding, trimming, and grinding and smoothing operations in the wood, marble, metal, and foundry industries.
- \* Robust structural design can withstand uniformly distributed loads of up to 72 lb/sq. ft.
- \* The use of galvanized sheet metal prevents need for treatment of the surfaces following use, or bench deterioration.
- \* Ergonomic design allows it to be used in the most suitable positions for carrying out the operation.

### OPTIONS

- \* Electrofan
- \* Modular Filter
- \* AFON silencers
- \* Electrostatic Filter
- \* Sound-Proof Box
- \* Air Diffuser
- \* Ducting
- \* Mountable Extraction Arm

## DIMENSIONS, ETC.

Dust Monkey products are manufactured in metric sizes but described here and on the web site in their closest English equivalent. Representative sizes and dimensions are described here. Custom sizes and materials are available.

Diameters:  
63 mm: 2.5 inches  
75 mm: 3 inches  
100 mm: 4 inches  
125 mm: 5 inches  
160 mm: 6 inches  
200 mm: 8 inches

Lengths:  
1.5m: 5 feet  
2.0m: 6 feet  
3.0m: 10 feet  
4.0m: 13 feet  
5.0m: 16 feet  
6.0m: 20 feet  
7.0m: 23 feet  
8.0m: 26 feet  
9.0m: 30 feet

WWW.DUSTMONKEY.NET

Komodo Enterprises, Inc. DBA  
Dust Monkey  
2620 S. Maryland Pkwy  
Suite 14, Box 863  
Las Vegas, NV 89109

California Office  
8915 Research Dr.  
Irvine CA, 92618

Tel: 949.341.0314  
Fax: 949.341.0315

E-mail: info@dustmonkey.net



*Tough, Durable,  
Rugged, Reliable,  
Stout Construction*

Visit all our web sites:  
WWW.DUSTMONKEY.NET  
WWW.DUCTMONKEY.NET  
WWW.MONKEYARMS.COM



*Experts in Dust, and  
Fume Control.*

WWW.DUSTMONKEY.NET

## MODELS AVAILABLE

BS	MAX DELIVERY	TOTAL PRESSURE	SOUND LEVEL	WEIGHT
800	941	2	69	198
1200	1176	2	70	265
1600	1764	2	71	331

BSW	MAX DELIVERY (CFM)	TOTAL PRESSURE (INCHES H2O)	SOUND LEVEL dB(A)	WEIGHT (LBS)
800	1176	2	69	198
1200	1470	2	70	265
1600	1764	2	71	331
2000	2058	2	72	331

BSW/P	MAX DELIVERY (CFM)	POWER (HP)	VOLTAGE (V)	RPM	SOUND LEVEL dB(A)	WEIGHT (LBS)	CARTRIDGES	FILTERING SURFACE (SQ FT)
1600	312	3	230/400	2800	74	551	4	312
1600	312	4	220/440	3400	74	551	4	312
2000	474	3	230/400	2800	74	639	6	474
2000	474	4	220/440	3400	74	639	6	474

## TERMS AND CONDITIONS

### PAYMENTS AND TERMS

Prices quoted are good for 30 days unless otherwise noted. Dust Monkey accepts cash, check, wire transfer, or credit cards. All prices are quote in US Dollars, unless otherwise noted. All sales are final. All freight is FOB, Las Vegas, Nevada unless otherwise noted. All goods remain the property of Dust Monkey until paid in full. Payment is due at time of order unless credit has been granted. All past due accounts accrue a service fee of 3% per month. Dust Monkey is a DBA of Komodo Enterprises, Inc., a Nevada Corporation.

### WARRANTY & INDEMNITY

Dust Monkey warrants products it manufactures for a period of 90 days to the original purchaser from the date of purchase. Items not manufactured by Dust Monkey are limited to their own manufacturer's warranties. This warranty does not apply to defects due directly or indirectly to misuse, negligence, accidents, abuse, repairs, or alterations or lack of maintenance. This is Dust Monkey's sole written warranty and any and all warranties that may be implied by law, including any merchantability or fitness, for any particular purpose, are hereby limited to the duration of this written warranty. Dust Monkey does not warrant or represent that the merchandise complies with the provisions of any law or acts. In no event shall Dust Monkey liability under this warranty exceed the purchase price paid for the product. Both parties agree to binding arbitration in Las Vegas, Nevada. Dust Monkey shall in no event be liable for death, injuries to persons or property or for incidental, and contingent, special, or consequential damages arising from the use of our products. Dust Monkey warrants products only for the specific use expressly agreed to at time of purchase by Dust Monkey in writing. Motors should only be started and stopped up to 4 - 10 times per hour. Starting motors more frequently can cause heat build up and can cause the motor overload to trip or cause motor damage. In general, motors should be started and stopped as little as possible for maximum lifespan and best economy (electrical use). \*Note: Motors should be protected from extreme weather to prolong motor life. All claims, including claims covered under the limited warranty, are subject to inspection and investigation before Buyer's claim is settled. Any parts returned for warranty or repair will not be accepted without an RMA number and must be shipped pre-paid. Contact Customer Service with the original bill of sale to obtain an RMA number.

### PRIVACY STATEMENT

Komodo Enterprises Inc. respects your privacy and will not divulge your contact information to any third party organization or entity without your express permission. In addition, our web sites gather no unauthorized information from your computer during your visit with us. All phone calls to Dust Monkey may be monitored or recorded.

### ACCURACY

Dust Monkey assumes no responsibility for errors or omissions in this web site or documents which are referenced by or linked to this site. This site could include technical or other inaccuracies. Changes are periodically added to the information, and Dust Monkey may change the products or services described at any time. Contact Customer Service for further information before relying on any information contained herein. The information provided on this site, including text, images, and links, are provided "AS IS" by Dust Monkey solely as a convenience to its visitors. This information is without any warranties, express or implied, including but not limited to warranties of merchantability, fitness for a particular purpose or non-infringement.

# DUST MONKEY CLEAN CARBO

WWW.DUSTMONKEY.NET

## SPECIFICATIONS

The Clean Carbo modular filtering units are used to clean and deodorize air polluted by welding smoke, gas, vapor, and fumes. Before the fumes enter back into the environment, the contaminated air is led from the extraction point through the duct to the "CLEAN" filtering unit which is comprised of a pleated pre-filter made of an electrically-welded galvanized frame which encloses the filtering sector of synthetic resin-primed polyester fiber. The extracted air

is then run through a high efficiency filter with pockets made of micro fibers connected to a galvanized sheet metal frame. If the deodorizing or the absorption of chemical substances or solvents in the air is required (for example, during painting operations or when plastics are processed) the filtered air is passed through the "CARBO" unit which is firmly bolted to the "CLEAN" module. The activated carbon used in the "CARBO" unit has a specific area of 381,439 sq. ft/ounce and a volume mass of 31 lb/ft<sup>3</sup>. It is contained in cylinders made of micro perforated metallic net



which allow easy change of the carbon. Thanks to its modular construction, the high efficiency of the filters and the remarkable capabilities of the active carbon, it is possible to optimize the sizes of the unit according to the amount of air to be treated. For best performance the Clean Carbo should be used in vacuum. Filtered air may also be re-introduced into the working environment to save energy.

### FEATURES

- \* Used to clean and de-odorize air polluted by welding smoke, gas, vapor, and fumes.
- \* Clean Carbo uses a dual filtration system to maximize efficiency.
- \* Cleans and de-odorizes filtered air.
- \* Filtered air can be re-introduced to the environment to help save on energy costs.

### OPTIONS

- \* The PRM-PR-PRA series of fans can be used according to the different requirements
- \* Stainless steel CLEAN/CARBO units are available upon request
- \* Special heavy duty filtering cartridges available

## DIMENSIONS, ETC.

Dust Monkey products are manufactured in metric sizes but described here and on the web site in their closest English equivalent. Representative sizes and dimensions are described here. Custom sizes and materials are available.

Diameters:  
63 mm: 2.5 inches  
75 mm: 3 inches  
100 mm: 4 inches  
125 mm: 5 inches  
160 mm: 6 inches  
200 mm: 8 inches

Lengths:  
1.5m: 5 feet  
2.0m: 6 feet  
3.0m: 10 feet  
4.0m: 13 feet  
5.0m: 16 feet  
6.0m: 20 feet  
7.0m: 23 feet  
8.0m: 26 feet  
9.0m: 30 feet

WWW.DUSTMONKEY.NET

Komodo Enterprises, Inc. DBA  
Dust Monkey  
2620 S. Maryland Pkwy  
Suite 14, Box 863  
Las Vegas, NV 89109

California Office  
8915 Research Dr.  
Irvine CA, 92618

Tel: 949.341.0314  
Fax: 949.341.0315

E-mail: info@dustmonkey.net



*Tough, Durable,  
Rugged, Reliable,  
Stout Construction*

Visit all our web sites:  
WWW.DUSTMONKEY.NET  
WWW.DUCTMONKEY.NET  
WWW.MONKEYARMS.COM

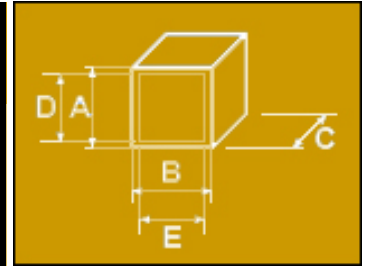


*Experts in Dust, and  
Fume Control.*

WWW.DUSTMONKEY.NET

## MODELS AVAILABLE

CLEAN CARBO	MAX DELIVERY (CFM)	WEIGHT (LBS)	DIMENSIONS (INCHES)				
			A	B	C	D	E
21	882	44	28	14	28	25	11
22	1765	88	28	28	28	25	25
42	3529	176	55	28	28	53	25
44	7058	353	55	55	28	53	53
62	5294	264	83	28	28	80	25
64	10588	529	83	55	28	80	53
82	7058	353	110	28	28	108	25
84	14117	706	110	55	28	108	53
102	8823	441	138	28	28	135	25
104	17647	883	138	55	28	135	53



## TERMS AND CONDITIONS

### PAYMENTS AND TERMS

Prices quoted are good for 30 days unless otherwise noted. Dust Monkey accepts cash, check, wire transfer, or credit cards. All prices are quote in US Dollars, unless otherwise noted. All sales are final. All freight is FOB, Las Vegas, Nevada unless otherwise noted. All goods remain the property of Dust Monkey until paid in full. Payment is due at time of order unless credit has been granted. All past due accounts accrue a service fee of 3% per month. Dust Monkey is a DBA of Komodo Enterprises, Inc., a Nevada Corporation.

### WARRANTY & INDEMNITY

Dust Monkey warrants products it manufactures for a period of 90 days to the original purchaser from the date of purchase. Items not manufactured by Dust Monkey are limited to their own manufacturer's warranties. This warranty does not apply to defects due directly or indirectly to misuse, negligence, accidents, abuse, repairs, or alterations or lack of maintenance. This is Dust Monkey's sole written warranty and any and all warranties that may be implied by law, including any merchantability or fitness, for any particular purpose, are hereby limited to the duration of this written warranty. Dust Monkey does not warrant or represent that the merchandise complies with the provisions of any law or acts. In no event shall Dust Monkey liability under this warranty exceed the purchase price paid for the product. Both parties agree to binding arbitration in Las Vegas, Nevada. Dust Monkey shall in no event be liable for death, injuries to persons or property or for incidental, and contingent, special, or consequential damages arising from the use of our products. Dust Monkey warrants products only for the specific use expressly agreed to at time of purchase by Dust Monkey in writing. Motors should only be started and stopped up to 4 - 10 times per hour. Starting motors more frequently can cause heat build up and can cause the motor overload to trip or cause motor damage. In general, motors should be started and stopped as little as possible for maximum lifespan and best economy (electrical use). \*Note: Motors should be protected from extreme weather to prolong motor life. All claims, including claims covered under the limited warranty, are subject to inspection and investigation before Buyer's claim is settled. Any parts returned for warranty or repair will not be accepted without an RMA number and must be shipped pre-paid. Contact Customer Service with the original bill of sale to obtain an RMA number.

### PRIVACY STATEMENT

Komodo Enterprises Inc. respects your privacy and will not divulge your contact information to any third party organization or entity without your express permission. In addition, our web sites gather no unauthorized information from your computer during your visit with us. All phone calls to Dust Monkey may be monitored or recorded.

### ACCURACY

Dust Monkey assumes no responsibility for errors or omissions in this web site or documents which are referenced by or linked to this site. This site could include technical or other inaccuracies. Changes are periodically added to the information, and Dust Monkey may change the products or services described at any time. Contact Customer Service for further information before relying on any information contained herein. The information provided on this site, including text, images, and links, are provided "AS IS" by Dust Monkey solely as a convenience to its visitors. This information is without any warranties, express or implied, including but not limited to warranties of merchantability, fitness for a particular purpose or non-infringement.

# DUST MONKEY POLIJET

WWW.DUSTMONKEY.NET

## SPECIFICATIONS

The Polijet down draft table is a self contained unit that features sophisticated cartridge filters (as opposed to ordinary filter bags) which are capable of filtering particle sizes down to 0.2 microns. The filters used by the Polijet table are rated at 99.9% efficiency. The built-in pneumatic switch with manual control allows for easy cleaning of the unit with a jet of compressed air. The Polijet unit was designed to guarantee that all toxic fumes and harmful dust particles



are immediately captured at the source to ensure operator safety. Options for the Polijet unit include a side fixed wall without suction, a differential manometer, and a variety of

replacement filters. The Polijet down draft table is perfect for dust and fume extractor and can be used for a variety of applications including welding, soldering, and woodworking.

### FEATURES

- \* For welding, trimming, and grinding and smoothing operations in the wood, marble, metal, and foundry industries.
- \* Self contained unit with sophisticated filtering technology with 99.9% filtering efficiency.
- \* Built-in pneumatic switch allows for easy cleaning with a jet of compressed air.
- \* Designed to guarantee that all fumes and harmful dust particles are immediately captured at the source.

### OPTIONS

- \* Side Fixed Wall Without Suction
- \* Differential Manometer
- \* Replacement Filters

## DIMENSIONS, ETC.

Dust Monkey products are manufactured in metric sizes but described here and on the web site in their closest English equivalent. Representative sizes and dimensions are described here. Custom sizes and materials are available.

Diameters:  
63 mm: 2.5 inches  
75 mm: 3 inches  
100 mm: 4 inches  
125 mm: 5 inches  
160 mm: 6 inches  
200 mm: 8 inches

Lengths:  
1.5m: 5 feet  
2.0m: 6 feet  
3.0m: 10 feet  
4.0m: 13 feet  
5.0m: 16 feet  
6.0m: 20 feet  
7.0m: 23 feet  
8.0m: 26 feet  
9.0m: 30 feet

WWW.DUSTMONKEY.NET

Komodo Enterprises, Inc. DBA  
Dust Monkey  
2620 S. Maryland Pkwy  
Suite 14, Box 863  
Las Vegas, NV 89109

California Office  
8915 Research Dr.  
Irvine CA, 92618

Tel: 949.341.0314

Fax: 949.341.0315

E-mail: [info@dustmonkey.net](mailto:info@dustmonkey.net)



*Tough, Durable,  
Rugged, Reliable,  
Stout Construction*

Visit all our web sites:  
[WWW.DUSTMONKEY.NET](http://WWW.DUSTMONKEY.NET)  
[WWW.DUCTMONKEY.NET](http://WWW.DUCTMONKEY.NET)  
[WWW.MONKEYARMS.COM](http://WWW.MONKEYARMS.COM)



*Experts in Dust, and  
Fume Control.*

## MODELS AVAILABLE

Polijet	POWER (HP)	Voltage (V)	RPM	AVERAGE SOUND LEVEL	WEIGHT (LBS)	MAX DELIVERY	CARTRIDGES	FILTERING SURFACE	CLEANING SYSTEM
1600	3	230/400	2800	74	551	2647	4	312	Pneumatic with manual control
1600	4	220/440	3400	74	551	2647	4	312	Pneumatic with manual control
2000	3	230/400	2800	74	639	2647	6	474	Pneumatic with manual control
2000	4	220/440	3400	74	639	2647	6	474	Pneumatic with manual control

WWW.DUSTMONKEY.NET

## TERMS AND CONDITIONS

### PAYMENTS AND TERMS

Prices quoted are good for 30 days unless otherwise noted. Dust Monkey accepts cash, check, wire transfer, or credit cards. All prices are quote in US Dollars, unless otherwise noted. All sales are final. All freight is FOB, Las Vegas, Nevada unless otherwise noted. All goods remain the property of Dust Monkey until paid in full. Payment is due at time of order unless credit has been granted. All past due accounts accrue a service fee of 3% per month. Dust Monkey is a DBA of Komodo Enterprises, Inc., a Nevada Corporation.

### PRIVACY STATEMENT

Komodo Enterprises Inc. respects your privacy and will not divulge your contact information to any third party organization or entity without your express permission. In addition, our web sites gather no unauthorized information from your computer during your visit with us. All phone calls to Dust Monkey may be monitored or recorded.

### ACCURACY

Dust Monkey assumes no responsibility for errors or omissions in this web site or documents which are referenced by or linked to this site. This site could include technical or other inaccuracies. Changes are periodically added to the information, and Dust Monkey may change the products or services described at any time. Contact Customer Service for further information before relying on any information contained herein. The information provided on this site, including text, images, and links, are provided "AS IS" by Dust Monkey solely as a convenience to its visitors. This information is without any warranties, express or implied, including but not limited to warranties of merchantability, fitness for a particular purpose or non-infringement.

### WARRANTY & INDEMNITY

Dust Monkey warrants products it manufactures for a period of 90 days to the original purchaser from the date of purchase. Items not manufactured by Dust Monkey are limited to their own manufacturer's warranties. This warranty does not apply to defects due directly or indirectly to misuse, negligence, accidents, abuse, repairs, or alterations or lack of maintenance. This is Dust Monkey's sole written warranty and any and all warranties that may be implied by law, including any merchantability or fitness, for any particular purpose, are hereby limited to the duration of this written warranty. Dust Monkey does not warrant or represent that the merchandise complies with the provisions of any law or acts. In no event shall Dust Monkey liability under this warranty exceed the purchase price paid for the product. Both parties agree to binding arbitration in Las Vegas, Nevada. Dust Monkey shall in no event be liable for death, injuries to persons or property or for incidental, and contingent, special, or consequential damages arising from the use of our products. Dust Monkey warrants products only for the specific use expressly agreed to at time of purchase by Dust Monkey in writing. Motors should only be started and stopped up to 4 - 10 times per hour. Starting motors more frequently can cause heat build up and can cause the motor overload to trip or cause motor damage. In general, motors should be started and stopped as little as possible for maximum lifespan and best economy (electrical use). \*Note: Motors should be protected from extreme weather to prolong motor life. All claims, including claims covered under the limited warranty, are subject to inspection and investigation before Buyer's claim is settled. Any parts returned for warranty or repair will not be accepted without an RMA number and must be shipped pre-paid. Contact Customer Service with the original bill of sale to obtain an RMA number.

# DUST MONKEY POLIVAL

WWW.DUSTMONKEY.NET

## SPECIFICATIONS

The Polival self contained filter benches can be used for a wide range of application in welding, trimming, grinding and lapping operations in the wood, marble, foundry and metal industries. Polival filter benches are highly recommended for air recycling in the normal work environment.

These benches are fitted with filter bags made from special tufted felt which allows for the achievement of filter yields of over 99%. Polival benches also include an efficient



manual shaker as part of the standard fittings for the regular cleaning of the filter bags. Options available for the Polival bench include ducting for recycling filtered air back into the work environment, AFON silencers to lower noise

output, activated carbon filters for improved filtering, and tufted felt filter for more thorough air purification. Custom bench sizes are also available for the Polival line, allowing customization for nearly any situation.

### FEATURES

- \* For welding, trimming, and grinding and smoothing operations in the wood, marble, metal, and foundry industries.
- \* Specially designed filtering technology yields 99.9% filtering efficiency.
- \* Includes an efficient manual shaker as part of the standard fittings for the regular cleaning of the filter bags.
- \* Collection trays make dust removal and cleaning much easier.

### OPTIONS

- \* Ducting for air recycling
- \* AFON Silencers
- \* Activated Carbon Filters
- \* Tufted felt for more thorough air purification
- \* Custom bench sizes available

## DIMENSIONS, ETC.

Dust Monkey products are manufactured in metric sizes but described here and on the web site in their closest English equivalent. Representative sizes and dimensions are described here. Custom sizes and materials are available.

Diameters:  
63 mm: 2.5 inches  
75 mm: 3 inches  
100 mm: 4 inches  
125 mm: 5 inches  
160 mm: 6 inches  
200 mm: 8 inches

Lengths:  
1.5m: 5 feet  
2.0m: 6 feet  
3.0m: 10 feet  
4.0m: 13 feet  
5.0m: 16 feet  
6.0m: 20 feet  
7.0m: 23 feet  
8.0m: 26 feet  
9.0m: 30 feet

WWW.DUSTMONKEY.NET

Komodo Enterprises, Inc. DBA  
Dust Monkey  
2620 S. Maryland Pkwy  
Suite 14, Box 863  
Las Vegas, NV 89109

California Office  
8915 Research Dr.  
Irvine CA, 92618

Tel: 949.341.0314  
Fax: 949.341.0315

E-mail: info@dustmonkey.net



*Tough, Durable,  
Rugged, Reliable,  
Stout Construction*

Visit all our web sites:  
WWW.DUSTMONKEY.NET  
WWW.DUCTMONKEY.NET  
WWW.MONKEYARMS.COM



*Experts in Dust, and  
Fume Control.*

WWW.DUSTMONKEY.NET

## MODELS AVAILABLE

POLIVAL	POWER (HP)	RPM	VOLTAGE (V)	DELIVERY (CFM)	TOTAL PRESSURE (IN. H2O)	AVERAGE SOUND LEVEL dB(A)	INTAKE OPENING (IN)
POLIVAL 1	4	2800	230/400	2352	1.97	74	9X9
POLIVAL 2	5.5	2800	400/690	2941	2.36	78	10X10

\* Available with Fan, Enclosing Panel, and Sound Proofing

## TERMS AND CONDITIONS

### PAYMENTS AND TERMS

Prices quoted are good for 30 days unless otherwise noted. Dust Monkey accepts cash, check, wire transfer, or credit cards. All prices are quote in US Dollars, unless otherwise noted. All sales are final. All freight is FOB, Las Vegas, Nevada unless otherwise noted. All goods remain the property of Dust Monkey until paid in full. Payment is due at time of order unless credit has been granted. All past due accounts accrue a service fee of 3% per month. Dust Monkey is a DBA of Komodo Enterprises, Inc., a Nevada Corporation.

### PRIVACY STATEMENT

Komodo Enterprises Inc. respects your privacy and will not divulge your contact information to any third party organization or entity without your express permission. In addition, our web sites gather no unauthorized information from your computer during your visit with us. All phone calls to Dust Monkey may be monitored or recorded.

### ACCURACY

Dust Monkey assumes no responsibility for errors or omissions in this web site or documents which are referenced by or linked to this site. This site could include technical or other inaccuracies. Changes are periodically added to the information, and Dust Monkey may change the products or services described at any time. Contact Customer Service for further information before relying on any information contained herein. The information provided on this site, including text, images, and links, are provided "AS IS" by Dust Monkey solely as a convenience to its visitors. This information is without any warranties, express or implied, including but not limited to warranties of merchantability, fitness for a particular purpose or non-infringement.

### WARRANTY & INDEMNITY

Dust Monkey warrants products it manufactures for a period of 90 days to the original purchaser from the date of purchase. Items not manufactured by Dust Monkey are limited to their own manufacturer's warranties. This warranty does not apply to defects due directly or indirectly to misuse, negligence, accidents, abuse, repairs, or alterations or lack of maintenance. This is Dust Monkey's sole written warranty and any and all warranties that may be implied by law, including any merchantability or fitness, for any particular purpose, are hereby limited to the duration of this written warranty. Dust Monkey does not warrant or represent that the merchandise complies with the provisions of any law or acts. In no event shall Dust Monkey liability under this warranty exceed the purchase price paid for the product. Both parties agree to binding arbitration in Las Vegas, Nevada. Dust Monkey shall in no event be liable for death, injuries to persons or property or for incidental, and contingent, special, or consequential damages arising from the use of our products. Dust Monkey warrants products only for the specific use expressly agreed to at time of purchase by Dust Monkey in writing. Motors should only be started and stopped up to 4 - 10 times per hour. Starting motors more frequently can cause heat build up and can cause the motor overload to trip or cause motor damage. In general, motors should be started and stopped as little as possible for maximum lifespan and best economy (electrical use). \*Note: Motors should be protected from extreme weather to prolong motor life. All claims, including claims covered under the limited warranty, are subject to inspection and investigation before Buyer's claim is settled. Any parts returned for warranty or repair will not be accepted without an RMA number and must be shipped pre-paid. Contact Customer Service with the original bill of sale to obtain an RMA number.

# DUST MONKEY ZINCOCAR

WWW.DUSTMONKEY.NET

## SPECIFICATIONS

The ZINCOCAR model series of sanding booths have been designed according to three important criteria: versatility, modularity, and efficiency. The cabins are constructed entirely by panels of galvanized steel (painted on request) iron bolted together. The operating procedure of the sanding cabin is simple and effective. A vacuum is created via the soundproofed centrifugal fan mounted on the roof of the cabin. This vacuum forces the air to



circulate, driving the dust through cartridge filters without dangerous leakage into the actual environment. The air, now purified, is ejected by the centrifugal fan

into the outside area. The cabin is also equipped with a complete cyclic programmer for the automatic cleaning of the filtering cartridges by compressed air.

### FEATURES

- \* Designed according to three important criteria: versatility, modularity, and efficiency.
- \* Sturdy design constructed entirely of galvanized steel.
- \* Cabin is equipped with a complete cyclic programmer for the automatic cleaning of the filtering cartridges by compressed air.
- \* Internally coated with premium sound-proofing material to help reduce noise level.

### OPTIONS

- \* Sound-proof box
- \* Different filtering materials available on request
- \* Special heavy duty filtering cartridges available

## DIMENSIONS, ETC.

Dust Monkey products are manufactured in metric sizes but described here and on the web site in their closest English equivalent. Representative sizes and dimensions are described here. Custom sizes and materials are available.

Diameters:  
63 mm: 2.5 inches  
75 mm: 3 inches  
100 mm: 4 inches  
125 mm: 5 inches  
160 mm: 6 inches  
200 mm: 8 inches

Lengths:  
1.5m: 5 feet  
2.0m: 6 feet  
3.0m: 10 feet  
4.0m: 13 feet  
5.0m: 16 feet  
6.0m: 20 feet  
7.0m: 23 feet  
8.0m: 26 feet  
9.0m: 30 feet

WWW.DUSTMONKEY.NET

Komodo Enterprises, Inc. DBA  
Dust Monkey  
2620 S. Maryland Pkwy  
Suite 14, Box 863  
Las Vegas, NV 89109

California Office  
8915 Research Dr.  
Irvine CA, 92618

Tel: 949.341.0314

Fax: 949.341.0315

E-mail: info@dustmonkey.net



*Tough, Durable,  
Rugged, Reliable,  
Stout Construction*

Visit all our web sites:  
WWW.DUSTMONKEY.NET  
WWW.DUCTMONKEY.NET  
WWW.MONKEYARMS.COM



*Experts in Dust, and  
Fume Control.*

## MODELS AVAILABLE

ZINCOCAR	MAX DELIVERY (CFM)	AVAILABLE PRESSURE	POWER (HP)	AVERAGE SOUND LEVEL dB(A)	FILTERING AREA (SQ FT)	CAPACITY (GALLONS)	CARTRIDGES
2	4709	2	7.5	83	1464	32	8
3	7063	2	10	85	2196	48	12
4	9417	2	7.5	84	2928	63	16
5	11772	2	10 + 7.5	85	3660	79	20
6	14126	2	7.5	86	4392	95	24

WWW.DUSTMONKEY.NET

## TERMS AND CONDITIONS

### PAYMENTS AND TERMS

Prices quoted are good for 30 days unless otherwise noted. Dust Monkey accepts cash, check, wire transfer, or credit cards. All prices are quote in US Dollars, unless otherwise noted. All sales are final. All freight is FOB, Las Vegas, Nevada unless otherwise noted. All goods remain the property of Dust Monkey until paid in full. Payment is due at time of order unless credit has been granted. All past due accounts accrue a service fee of 3% per month. Dust Monkey is a DBA of Komodo Enterprises, Inc., a Nevada Corporation.

### PRIVACY STATEMENT

Komodo Enterprises Inc. respects your privacy and will not divulge your contact information to any third party organization or entity without your express permission. In addition, our web sites gather no unauthorized information from your computer during your visit with us. All phone calls to Dust Monkey may be monitored or recorded.

### ACCURACY

Dust Monkey assumes no responsibility for errors or omissions in this web site or documents which are referenced by or linked to this site. This site could include technical or other inaccuracies. Changes are periodically added to the information, and Dust Monkey may change the products or services described at any time. Contact Customer Service for further information before relying on any information contained herein. The information provided on this site, including text, images, and links, are provided "AS IS" by Dust Monkey solely as a convenience to its visitors. This information is without any warranties, express or implied, including but not limited to warranties of merchantability, fitness for a particular purpose or non-infringement.

### WARRANTY & INDEMNITY

Dust Monkey warrants products it manufactures for a period of 90 days to the original purchaser from the date of purchase. Items not manufactured by Dust Monkey are limited to their own manufacturer's warranties. This warranty does not apply to defects due directly or indirectly to misuse, negligence, accidents, abuse, repairs, or alterations or lack of maintenance. This is Dust Monkey's sole written warranty and any and all warranties that may be implied by law, including any merchantability or fitness, for any particular purpose, are hereby limited to the duration of this written warranty. Dust Monkey does not warrant or represent that the merchandise complies with the provisions of any law or acts. In no event shall Dust Monkey liability under this warranty exceed the purchase price paid for the product. Both parties agree to binding arbitration in Las Vegas, Nevada. Dust Monkey shall in no event be liable for death, injuries to persons or property or for incidental, and contingent, special, or consequential damages arising from the use of our products. Dust Monkey warrants products only for the specific use expressly agreed to at time of purchase by Dust Monkey in writing. Motors should only be started and stopped up to 4 - 10 times per hour. Starting motors more frequently can cause heat build up and can cause the motor overload to trip or cause motor damage. In general, motors should be started and stopped as little as possible for maximum lifespan and best economy (electrical use). \*Note: Motors should be protected from extreme weather to prolong motor life. All claims, including claims covered under the limited warranty, are subject to inspection and investigation before Buyer's claim is settled. Any parts returned for warranty or repair will not be accepted without an RMA number and must be shipped pre-paid. Contact Customer Service with the original bill of sale to obtain an RMA number.

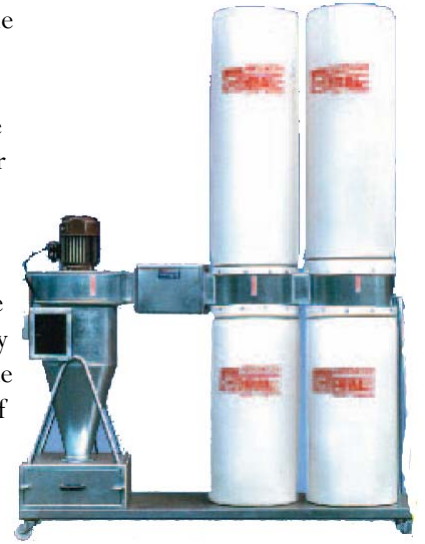
# DUST MONKEY CYCLONFILTER

WWW.DUSTMONKEY.NET

## SPECIFICATIONS

The Cyclonfilter wheel mounted extractor filter unit finds its application in all cases where conditions of work requires improvement of the cartridges or felt filters efficiency by means of cyclonic pre-filtering of larger granulated dusts. It is mainly used in the metal (grinding, polishing, etc.), rubber, plastic, timber, chemistry, textile, agriculture, and food industries. The Cyclonfilter works by moving the polluted air to the electro ventilator situated on the outlet of the cyclone in the collecting container of

which all the heavier particles drop. At the same time, the finer dusts are held in a module made of 2 filter bags or 1 cartridge (CYCLONFILTER 1C) or in 2 modules with 4 filter bags or 2 cartridges (CYCLONFILTER 2C). When using cartridges the lower bags are replaced by plastic collection bags. The wheel-mounted version of the Cyclonfilter gives to the unit the possibility of extracting and filtering dusts produced from various operating machines, placed at a certain distance, and to fasten the discharge operation of dusts and



even still to effect the cleaning of the extractor-filter in the open air or more suitable place. The unit is also equipped with a fire prevention unit.

### FEATURES

- \* Used in the metal (grinding, polishing, etc.), rubber, plastic, timber, chemistry, textile, agriculture, and food industries.
- \* Filtered air is recyclable back into the environment to help save on energy costs!
- \* Fire safety spark detection system helps detect fires before they happen!

### OPTIONS

- \* Needle felt collection bag
- \* Clip Clap bag fastener
- \* Replacement filters

## DIMENSIONS, ETC.

Dust Monkey products are manufactured in metric sizes but described here and on the web site in their closest English equivalent. Representative sizes and dimensions are described here. Custom sizes and materials are available.

Diameters:  
63 mm: 2.5 inches  
75 mm: 3 inches  
100 mm: 4 inches  
125 mm: 5 inches  
160 mm: 6 inches  
200 mm: 8 inches

Lengths:  
1.5m: 5 feet  
2.0m: 6 feet  
3.0m: 10 feet  
4.0m: 13 feet  
5.0m: 16 feet  
6.0m: 20 feet  
7.0m: 23 feet  
8.0m: 26 feet  
9.0m: 30 feet

WWW.DUSTMONKEY.NET

Komodo Enterprises, Inc. DBA  
Dust Monkey  
2620 S. Maryland Pkwy  
Suite 14, Box 863  
Las Vegas, NV 89109

California Office  
8915 Research Dr.  
Irvine CA, 92618

Tel: 949.341.0314  
Fax: 949.341.0315

E-mail: [info@dustmonkey.net](mailto:info@dustmonkey.net)



*Tough, Durable,  
Rugged, Reliable,  
Stout Construction*

Visit all our web sites:  
[WWW.DUSTMONKEY.NET](http://WWW.DUSTMONKEY.NET)  
[WWW.DUCTMONKEY.NET](http://WWW.DUCTMONKEY.NET)  
[WWW.MONKEYARMS.COM](http://WWW.MONKEYARMS.COM)



*Experts in Dust, and  
Fume Control.*

## MODELS AVAILABLE

CYCLONFILTER	POWER (HP)	MAX CAPACITY (CFM)	FILTERING SURFACE (SQ FT)	Ø OF EXTRACTOR INLET (IN)	STOCKING CAPACITY (CU FT)	WEIGHT (LB)
1C	2	1760	43	9x7	11	245
1C	3	2350	43	9x7	11	258
1C	4	2900	43	9x7	11	271
1C	5.5	3300	43	9x7	11	287
2C	2	1880	86	9x7	19	291
2C	3	2530	86	9x7	19	302
2C	4	3060	86	9x7	19	317
2C	5.5	3400	86	9x7	19	333
2C	7.5	4000	86	9x7	19	362

WWW.DUSTMONKEY.NET

## TERMS AND CONDITIONS

### PAYMENTS AND TERMS

Prices quoted are good for 30 days unless otherwise noted. Dust Monkey accepts cash, check, wire transfer, or credit cards. All prices are quote in US Dollars, unless otherwise noted. All sales are final. All freight is FOB, Las Vegas, Nevada unless otherwise noted. All goods remain the property of Dust Monkey until paid in full. Payment is due at time of order unless credit has been granted. All past due accounts accrue a service fee of 3% per month. Dust Monkey is a DBA of Komodo Enterprises, Inc., a Nevada Corporation.

### PRIVACY STATEMENT

Komodo Enterprises Inc. respects your privacy and will not divulge your contact information to any third party organization or entity without your express permission. In addition, our web sites gather no unauthorized information from your computer during your visit with us. All phone calls to Dust Monkey may be monitored or recorded.

### ACCURACY

Dust Monkey assumes no responsibility for errors or omissions in this web site or documents which are referenced by or linked to this site. This site could include technical or other inaccuracies. Changes are periodically added to the information, and Dust Monkey may change the products or services described at any time. Contact Customer Service for further information before relying on any information contained herein. The information provided on this site, including text, images, and links, are provided "AS IS" by Dust Monkey solely as a convenience to its visitors. This information is without any warranties, express or implied, including but not limited to warranties of merchantability, fitness for a particular purpose or non-infringement.

### WARRANTY & INDEMNITY

Dust Monkey warrants products it manufactures for a period of 90 days to the original purchaser from the date of purchase. Items not manufactured by Dust Monkey are limited to their own manufacturer's warranties. This warranty does not apply to defects due directly or indirectly to misuse, negligence, accidents, abuse, repairs, or alterations or lack of maintenance. This is Dust Monkey's sole written warranty and any and all warranties that may be implied by law, including any merchantability or fitness, for any particular purpose, are hereby limited to the duration of this written warranty. Dust Monkey does not warrant or represent that the merchandise complies with the provisions of any law or acts. In no event shall Dust Monkey liability under this warranty exceed the purchase price paid for the product. Both parties agree to binding arbitration in Las Vegas, Nevada. Dust Monkey shall in no event be liable for death, injuries to persons or property or for incidental, and contingent, special, or consequential damages arising from the use of our products. Dust Monkey warrants products only for the specific use expressly agreed to at time of purchase by Dust Monkey in writing. Motors should only be started and stopped up to 4 - 10 times per hour. Starting motors more frequently can cause heat build up and can cause the motor overload to trip or cause motor damage. In general, motors should be started and stopped as little as possible for maximum lifespan and best economy (electrical use). \*Note: Motors should be protected from extreme weather to prolong motor life. All claims, including claims covered under the limited warranty, are subject to inspection and investigation before Buyer's claim is settled. Any parts returned for warranty or repair will not be accepted without an RMA number and must be shipped pre-paid. Contact Customer Service with the original bill of sale to obtain an RMA number.

# DUST MONKEY IPERJET

WWW.DUSTMONKEY.NET

## SPECIFICATIONS

The new portable Iperjet cartridge filter and Iperfilter bag filter represent the very latest and most advanced solution to the problem of air pollution in working environments. The possibility of using bags or cartridges in the most complete range of filtering media means that the line is practically universal. Filtration of fumes from welding, plasma-arc cutting, slightly oily fumes, chemical, pharmaceutical and metallic dust, dry chips and sawdust in modest quantities (cartridge version); dry dusts (bag version). The filter works by drawing dusty air in through the top of the unit

via an arm or by connecting directly with metal ducting. The air then undergoes a pre-decontamination process by passing first into the side pre-chamber, where it is slowed down so that the heavier dust particles drop out and settle in the lower pull-out tray. The air then passes through a second pre-filter, and finally reaches the cartridge or bag filtering stage and then exits from the fan mounted at the head of the assembly through a sound-absorbing diaphragm. The cleaning system for the Iperjet unit works via a back blast compressed air cleaning system under the control of a cyclic programmer. The Iperfilter adopts a system of mechanical



shaking, either manual or automatic, for cleaning. The unit was specially engineered so that the overall dimensions are reduced, while still maintaining a high filtering surface.

### FEATURES

- \* Filtration of fumes from welding, plasma-arc cutting, slightly oily fumes, chemical, pharmaceutical and metallic dust, dry chips and sawdust in modest quantities (cartridge version); dry dusts (bag version).
- \* Cleaning system that is controlled via a cyclic programmer.
- \* The unit was specially engineered so that the overall dimensions are reduced, while still maintaining a high filtering surface.

### OPTIONS

- \* Sound-proofing plenum
- \* Activated carbon filter
- \* Differential pressure gauge or pressure switch to detect filter clogging
- \* UNIVERSAL NO-SMOKE arm with 4, 5, 6, 7, or 8 inch diameter
- \* Fixed version with hopper

## DIMENSIONS, ETC.

Dust Monkey products are manufactured in metric sizes but described here and on the web site in their closest English equivalent. Representative sizes and dimensions are described here. Custom sizes and materials are available.

Diameters:  
63 mm: 2.5 inches  
75 mm: 3 inches  
100 mm: 4 inches  
125 mm: 5 inches  
160 mm: 6 inches  
200 mm: 8 inches

Lengths:  
1.5m: 5 feet  
2.0m: 6 feet  
3.0m: 10 feet  
4.0m: 13 feet  
5.0m: 16 feet  
6.0m: 20 feet  
7.0m: 23 feet  
8.0m: 26 feet  
9.0m: 30 feet

WWW.DUSTMONKEY.NET

Komodo Enterprises, Inc. DBA  
Dust Monkey  
2620 S. Maryland Pkwy  
Suite 14, Box 863  
Las Vegas, NV 89109

California Office  
8915 Research Dr.  
Irvine CA, 92618

Tel: 949.341.0314  
Fax: 949.341.0315

E-mail: info@dustmonkey.net



*Tough, Durable,  
Rugged, Reliable,  
Stout Construction*

Visit all our web sites:  
WWW.DUSTMONKEY.NET  
WWW.DUCTMONKEY.NET  
WWW.MONKEYARMS.COM



*Experts in Dust, and  
Fume Control.*

WWW.DUSTMONKEY.NET

## MODELS AVAILABLE

IPERJET	POWER (HP)	FILTERING SURFACE (SQ FT)	N° CARTRIDGE
IPERJET	2	269	2 x 750 H
IPERJET	2	366	4 x 500 H
IPERJET	3	474	4 x 660 H
IPERJET	3	538	4 x 750 H
IPERJET	4	474	4 x 660 H
IPERJET	4	538	4 x 750 H

IPERFILTER	POWER (HP)	RPM	FILTERING SURFACE (SQ FT)	MAX DELIVERY (CFM)	NOISE LEVEL dB(A)	DUST CAPACITY (CU FT)
VZ	2	2800	108	882	73	4.3
VZ	3	2800	108	1588	75	4.3
VZ	4	2800	108	1588	77	4.3
VV	2	2800	108	882	73	4.3
VV	3	2800	108	1588	75	4.3
VV	4	2800	108	1588	77	4.3

## TERMS AND CONDITIONS

### PAYMENTS AND TERMS

Prices quoted are good for 30 days unless otherwise noted. Dust Monkey accepts cash, check, wire transfer, or credit cards. All prices are quote in US Dollars, unless otherwise noted. All sales are final. All freight is FOB, Las Vegas, Nevada unless otherwise noted. All goods remain the property of Dust Monkey until paid in full. Payment is due at time of order unless credit has been granted. All past due accounts accrue a service fee of 3% per month. Dust Monkey is a DBA of Komodo Enterprises, Inc., a Nevada Corporation.

### WARRANTY & INDEMNITY

Dust Monkey warrants products it manufactures for a period of 90 days to the original purchaser from the date of purchase. Items not manufactured by Dust Monkey are limited to their own manufacturer's warranties. This warranty does not apply to defects due directly or indirectly to misuse, negligence, accidents, abuse, repairs, or alterations or lack of maintenance. This is Dust Monkey's sole written warranty and any and all warranties that may be implied by law, including any merchantability or fitness, for any particular purpose, are hereby limited to the duration of this written warranty. Dust Monkey does not warrant or represent that the merchandise complies with the provisions of any law or acts. In no event shall Dust Monkey liability under this warranty exceed the purchase price paid for the product. Both parties agree to binding arbitration in Las Vegas, Nevada. Dust Monkey shall in no event be liable for death, injuries to persons or property or for incidental, and contingent, special, or consequential damages arising from the use of our products. Dust Monkey warrants products only for the specific use expressly agreed to at time of purchase by Dust Monkey in writing. Motors should only be started and stopped up to 4 - 10 times per hour. Starting motors more frequently can cause heat build up and can cause the motor overload to trip or cause motor damage. In general, motors should be started and stopped as little as possible for maximum lifespan and best economy (electrical use). \*Note: Motors should be protected from extreme weather to prolong motor life. All claims, including claims covered under the limited warranty, are subject to inspection and investigation before Buyer's claim is settled. Any parts returned for warranty or repair will not be accepted without an RMA number and must be shipped pre-paid. Contact Customer Service with the original bill of sale to obtain an RMA number.

### PRIVACY STATEMENT

Komodo Enterprises Inc. respects your privacy and will not divulge your contact information to any third party organization or entity without your express permission. In addition, our web sites gather no unauthorized information from your computer during your visit with us. All phone calls to Dust Monkey may be monitored or recorded.

### ACCURACY

Dust Monkey assumes no responsibility for errors or omissions in this web site or documents which are referenced by or linked to this site. This site could include technical or other inaccuracies. Changes are periodically added to the information, and Dust Monkey may change the products or services described at any time. Contact Customer Service for further information before relying on any information contained herein. The information provided on this site, including text, images, and links, are provided "AS IS" by Dust Monkey solely as a convenience to its visitors. This information is without any warranties, express or implied, including but not limited to warranties of merchantability, fitness for a particular purpose or non-infringement.

# DUST MONKEY CLEAN GO

WWW.DUSTMONKEY.NET

## SPECIFICATIONS

The unit Clean GO, thanks to its compact size, is easy to use and operate. It represents the mobile solution for suction, filtering and deodorizing of welding fumes, solvent, vapors, aerosol in work premises. The Clean GO is designed according to up-to-date technologies, suitable in both industrial and handicraft fields, where ease of movement and small size are a requirement. The Clean GO was specifically designed for use in different fields, including industrial maintenance, car repair workshops, hydraulic and light

mechanical workshop. The only maintenance required is replacing the filter, and this is a simple operation that requires very little time and no special skills. The Clean GO mobile extractor does well removing welding fumes from the work place environment. A high efficiency filter media is used and permits a collection rate of higher than 99.9% efficiency and an almost total elimination of odors. The polluted air, sucked by the patented arm UNIVERSAL NO-SMOKE or EVOLUTION NO-SMOKE (optional).\*



\* Universal No-Smoke Arm comes standard with the Clean GO/E model.

### FEATURES

- \* The mobile solution for suction, filtering and deodorizing of welding fumes, solvent, vapors, aerosol in work premises.
- \* Compact size and maneuverability makes this mobile filter useful in nearly any environment.
- \* Easy filter replacement makes maintaining the Clean Go simple!
- \* Filters air to remove pollutants and odors!

### OPTIONS

- \* Wall mounted version available
- \* Use either Evolution or Universal No-Smoke arms with the Clean Go filter.
- \* Activated carbon panel
- \* Cartridge filter
- \* Wall-mounted electrical panel for Clean GO wall mount.

## DIMENSIONS, ETC.

Dust Monkey products are manufactured in metric sizes but described here and on the web site in their closest English equivalent. Representative sizes and dimensions are described here. Custom sizes and materials are available.

Diameters:  
63 mm: 2.5 inches  
75 mm: 3 inches  
100 mm: 4 inches  
125 mm: 5 inches  
160 mm: 6 inches  
200 mm: 8 inches

Lengths:  
1.5m: 5 feet  
2.0m: 6 feet  
3.0m: 10 feet  
4.0m: 13 feet  
5.0m: 16 feet  
6.0m: 20 feet  
7.0m: 23 feet  
8.0m: 26 feet  
9.0m: 30 feet

WWW.DUSTMONKEY.NET

Komodo Enterprises, Inc. DBA  
Dust Monkey  
2620 S. Maryland Pkwy  
Suite 14, Box 863  
Las Vegas, NV 89109

California Office  
8915 Research Dr.  
Irvine CA, 92618

Tel: 949.341.0314  
Fax: 949.341.0315

E-mail: info@dustmonkey.net



*Tough, Durable,  
Rugged, Reliable,  
Stout Construction*

Visit all our web sites:  
WWW.DUSTMONKEY.NET  
WWW.DUCTMONKEY.NET  
WWW.MONKEYARMS.COM



*Experts in Dust, and  
Fume Control.*

WWW.DUSTMONKEY.NET

## MODELS AVAILABLE

CLEAN GO	POWER (HP)	VOLTAGE (V)	RPM	SOUND LEVEL dB(A)	FILTERING SURFACE (SQ FT)	AIR FLOW AT HOOD WITH ACTIVATED CARBON	AIR FLOW AT HOOD WITHOUT ACTIVATED CARBON	NET WEIGHT WITH ARM (LBS)
CLEAN GO	1.5	230/400	2800	76	84	764	823	221

CLEAN GO/E	POWER (HP)	VOLTAGE (V)	RPM	SOUND LEVEL dB(A)	AIR FLOW AT HOOD WITH ACTIVATED CARBON (CFM)	NET WEIGHT WITH ARM (LBS)
CLEAN GO/E	1.5	230/400	2800	76	812	288
					835	332

## TERMS AND CONDITIONS

### PAYMENTS AND TERMS

Prices quoted are good for 30 days unless otherwise noted. Dust Monkey accepts cash, check, wire transfer, or credit cards. All prices are quote in US Dollars, unless otherwise noted. All sales are final. All freight is FOB, Las Vegas, Nevada unless otherwise noted. All goods remain the property of Dust Monkey until paid in full. Payment is due at time of order unless credit has been granted. All past due accounts accrue a service fee of 3% per month. Dust Monkey is a DBA of Komodo Enterprises, Inc., a Nevada Corporation.

### PRIVACY STATEMENT

Komodo Enterprises Inc. respects your privacy and will not divulge your contact information to any third party organization or entity without your express permission. In addition, our web sites gather no unauthorized information from your computer during your visit with us. All phone calls to Dust Monkey may be monitored or recorded.

### ACCURACY

Dust Monkey assumes no responsibility for errors or omissions in this web site or documents which are referenced by or linked to this site. This site could include technical or other inaccuracies. Changes are periodically added to the information, and Dust Monkey may change the products or services described at any time. Contact Customer Service for further information before relying on any information contained herein. The information provided on this site, including text, images, and links, are provided "AS IS" by Dust Monkey solely as a convenience to its visitors. This information is without any warranties, express or implied, including but not limited to warranties of merchantability, fitness for a particular purpose or non-infringement.

### WARRANTY & INDEMNITY

Dust Monkey warrants products it manufactures for a period of 90 days to the original purchaser from the date of purchase. Items not manufactured by Dust Monkey are limited to their own manufacturer's warranties. This warranty does not apply to defects due directly or indirectly to misuse, negligence, accidents, abuse, repairs, or alterations or lack of maintenance. This is Dust Monkey's sole written warranty and any and all warranties that may be implied by law, including any merchantability or fitness, for any particular purpose, are hereby limited to the duration of this written warranty. Dust Monkey does not warrant or represent that the merchandise complies with the provisions of any law or acts. In no event shall Dust Monkey liability under this warranty exceed the purchase price paid for the product. Both parties agree to binding arbitration in Las Vegas, Nevada. Dust Monkey shall in no event be liable for death, injuries to persons or property or for incidental, and contingent, special, or consequential damages arising from the use of our products. Dust Monkey warrants products only for the specific use expressly agreed to at time of purchase by Dust Monkey in writing. Motors should only be started and stopped up to 4 - 10 times per hour. Starting motors more frequently can cause heat build up and can cause the motor overload to trip or cause motor damage. In general, motors should be started and stopped as little as possible for maximum lifespan and best economy (electrical use). \*Note: Motors should be protected from extreme weather to prolong motor life. All claims, including claims covered under the limited warranty, are subject to inspection and investigation before Buyer's claim is settled. Any parts returned for warranty or repair will not be accepted without an RMA number and must be shipped pre-paid. Contact Customer Service with the original bill of sale to obtain an RMA number.

# DUST MONKEY CLEANING NO-SMOKE

WWW.DUSTMONKEY.NET

## SPECIFICATIONS

The high quality filtering media used in the Cleaning No-Smoke mobile filter permits a collection higher than 99.9% and an almost total elimination of odors. Due to the special filter arrangement, their high absorption capacity, the silencer installed on the outlet, and to the use of the high efficiency backward curved blade impellor, the Cleaning No-Smoke adds almost no additional noise to the surrounding environment! The Cleaning No-Smoke filter unit is made of a painted metal sheet paneled structure with an

upper plate where a suction pipe or the arms UNIVERSAL NO-SMOKE (standard) or the EVOLUTION NO-SMOKE (optional) can be fitted. The polluted air is driven through the suction inlet by the vacuum created inside the casing due to the centrifugal fan. The air flow reaches the vertical positioned pre-chamber where a first mechanical separation of heavier particles takes place. This also ensures an even distribution of the air flow to the filters. The heavier particles are falling in a collection tray while the finer ones cross first



the PRECLEAN pre-filter section. The partially purified air is then crossing the high surface area activated carbon panel CARBOCLEAN set to absorb the gases and odors. Finally the filtered air is released back into the surrounding environment.

### FEATURES

- \* Applications include use in the welding and soldering, chemical, pharmaceutical industries.
- \* Compact size and maneuverability makes this mobile filter useful in nearly any environment.
- \* Easy filter replacement makes maintaining the Cleaning No-Smoke simple!
- \* Filters air to remove pollutants and odors!
- \* Due to the unique design, this filter adds almost no additional noise pollution in the surrounding environment!

### OPTIONS

- \* Wall mounted version available
- \* Use either Evolution or Universal No-Smoke arms with the Cleaning No-Smoke filter.
- \* Activated carbon panel
- \* Cartridge filter
- \* Different filtering materials available depending on fumes or odors extracted.

## DIMENSIONS, ETC.

Dust Monkey products are manufactured in metric sizes but described here and on the web site in their closest English equivalent. Representative sizes and dimensions are described here. Custom sizes and materials are available.

Diameters:  
63 mm: 2.5 inches  
75 mm: 3 inches  
100 mm: 4 inches  
125 mm: 5 inches  
160 mm: 6 inches  
200 mm: 8 inches

Lengths:  
1.5m: 5 feet  
2.0m: 6 feet  
3.0m: 10 feet  
4.0m: 13 feet  
5.0m: 16 feet  
6.0m: 20 feet  
7.0m: 23 feet  
8.0m: 26 feet  
9.0m: 30 feet

WWW.DUSTMONKEY.NET

Komodo Enterprises, Inc. DBA  
Dust Monkey  
2620 S. Maryland Pkwy  
Suite 14, Box 863  
Las Vegas, NV 89109

California Office  
8915 Research Dr.  
Irvine CA, 92618

Tel: 949.341.0314  
Fax: 949.341.0315

E-mail: [info@dustmonkey.net](mailto:info@dustmonkey.net)



*Tough, Durable,  
Rugged, Reliable,  
Stout Construction*

Visit all our web sites:  
[WWW.DUSTMONKEY.NET](http://WWW.DUSTMONKEY.NET)  
[WWW.DUCTMONKEY.NET](http://WWW.DUCTMONKEY.NET)  
[WWW.MONKEYARMS.COM](http://WWW.MONKEYARMS.COM)



*Experts in Dust, and  
Fume Control.*

WWW.DUSTMONKEY.NET

## MODELS AVAILABLE

CLEANING NO-SMOKE	POWER (HP)	VOLTAGE (V)	RPM	SOUND LEVEL dB(A)	FILTERING SURFACE (SQ FT)	SUCTION FLOW AT HOOD WITH ONE ARM (CFM)	SUCTION FLOW AT HOOD WITH TWO ARMS (CFM)	FAN MAX DELIVERY (CFM)
CLEANING NO-SMOKE	1.5	220/440	3400	71	168	882		1235
CLEANING NO-SMOKE	3	220/440	3400	73	236		1529	1823

CLEANING NO-SMOKE/E	POWER (HP)	RPM	SOUND LEVEL	FILTERING SURFACE	FAN MAX DELIVERY (CFM)	NET WEIGHT (LBS)
CLEANING NO-SMOKE/E	1.5	2800	72	168	940	326
CLEANING NO-SMOKE/E	2	2800	75	236	1350	337

## TERMS AND CONDITIONS

### PAYMENTS AND TERMS

Prices quoted are good for 30 days unless otherwise noted. Dust Monkey accepts cash, check, wire transfer, or credit cards. All prices are quote in US Dollars, unless otherwise noted. All sales are final. All freight is FOB, Las Vegas, Nevada unless otherwise noted. All goods remain the property of Dust Monkey until paid in full. Payment is due at time of order unless credit has been granted. All past due accounts accrue a service fee of 3% per month. Dust Monkey is a DBA of Komodo Enterprises, Inc., a Nevada Corporation.

### WARRANTY & INDEMNITY

Dust Monkey warrants products it manufactures for a period of 90 days to the original purchaser from the date of purchase. Items not manufactured by Dust Monkey are limited to their own manufacturer's warranties. This warranty does not apply to defects due directly or indirectly to misuse, negligence, accidents, abuse, repairs, or alterations or lack of maintenance. This is Dust Monkey's sole written warranty and any and all warranties that may be implied by law, including any merchantability or fitness, for any particular purpose, are hereby limited to the duration of this written warranty. Dust Monkey does not warrant or represent that the merchandise complies with the provisions of any law or acts. In no event shall Dust Monkey liability under this warranty exceed the purchase price paid for the product. Both parties agree to binding arbitration in Las Vegas, Nevada. Dust Monkey shall in no event be liable for death, injuries to persons or property or for incidental, and contingent, special, or consequential damages arising from the use of our products. Dust Monkey warrants products only for the specific use expressly agreed to at time of purchase by Dust Monkey in writing. Motors should only be started and stopped up to 4 - 10 times per hour. Starting motors more frequently can cause heat build up and can cause the motor overload to trip or cause motor damage. In general, motors should be started and stopped as little as possible for maximum lifespan and best economy (electrical use). \*Note: Motors should be protected from extreme weather to prolong motor life. All claims, including claims covered under the limited warranty, are subject to inspection and investigation before Buyer's claim is settled. Any parts returned for warranty or repair will not be accepted without an RMA number and must be shipped pre-paid. Contact Customer Service with the original bill of sale to obtain an RMA number.

### PRIVACY STATEMENT

Komodo Enterprises Inc. respects your privacy and will not divulge your contact information to any third party organization or entity without your express permission. In addition, our web sites gather no unauthorized information from your computer during your visit with us. All phone calls to Dust Monkey may be monitored or recorded.

### ACCURACY

Dust Monkey assumes no responsibility for errors or omissions in this web site or documents which are referenced by or linked to this site. This site could include technical or other inaccuracies. Changes are periodically added to the information, and Dust Monkey may change the products or services described at any time. Contact Customer Service for further information before relying on any information contained herein. The information provided on this site, including text, images, and links, are provided "AS IS" by Dust Monkey solely as a convenience to its visitors. This information is without any warranties, express or implied, including but not limited to warranties of merchantability, fitness for a particular purpose or non-infringement.

# DUST MONKEY GRINDEX

WWW.DUSTMONKEY.NET

## SPECIFICATIONS

The Grindex suction filter has been built for use in all dry grinding, tool sharpening processes, etc., and where the possibility exists to convey incandescent particles with the air that might damage the filters. The special high-permeability polyester needle felt with which the filtering pockets are made, ensures longer life and better filtration effectiveness (up to 99%), along with low load losses in comparison with the traditional fabrics (such as cotton). The GRINDEX/3 model has a filtering efficiency of up to

99.99% for special applications. Thanks to the extensive filtering surface achieved through the filtering pockets and the unit's compact size, the Grindex is easy to locate near the machines or in laboratories. The Grindex filtering unit has also been designed to take into account the problem posed by acoustic pollution, and it offers a very low operational noise level of 70 dBA. a sound-proofing plenum is also available for special applications. When it comes to cleaning, the Grindex comes complete with a



manual mechanical filter shaking device to maintain high efficiency levels of the actual filters. The unit has been especially built so that the filtering section can easily be removed from the top part of the Grindex with no need to use tools or service wrenches.

### FEATURES

- \* Built for use in all dry grinding, tool sharpening processes, etc., and where the possibility exists to convey incandescent particles with the air that might damage the filters.
- \* Highly-permeability polyester needle felt ensures longer life and better filtration effectiveness (up to 99%)
- \* Cleaning system helps lower maintenance costs!
- \* The unit has been built so the filtering section can easily be removed with no need to use tools!

### OPTIONS

- \* Built in spark detection system helps prevent fires or damage to the fabric
- \* Mountable extraction arm
- \* Noise reduction fan box
- \* Different filters also available

## DIMENSIONS, ETC.

Dust Monkey products are manufactured in metric sizes but described here and on the web site in their closest English equivalent. Representative sizes and dimensions are described here. Custom sizes and materials are available.

Diameters:  
63 mm: 2.5 inches  
75 mm: 3 inches  
100 mm: 4 inches  
125 mm: 5 inches  
160 mm: 6 inches  
200 mm: 8 inches

Lengths:  
1.5m: 5 feet  
2.0m: 6 feet  
3.0m: 10 feet  
4.0m: 13 feet  
5.0m: 16 feet  
6.0m: 20 feet  
7.0m: 23 feet  
8.0m: 26 feet  
9.0m: 30 feet

WWW.DUSTMONKEY.NET

Komodo Enterprises, Inc. DBA  
Dust Monkey  
2620 S. Maryland Pkwy  
Suite 14, Box 863  
Las Vegas, NV 89109

California Office  
8915 Research Dr.  
Irvine CA, 92618

Tel: 949.341.0314  
Fax: 949.341.0315

E-mail: [info@dustmonkey.net](mailto:info@dustmonkey.net)



*Tough, Durable,  
Rugged, Reliable,  
Stout Construction*

Visit all our web sites:  
[WWW.DUSTMONKEY.NET](http://WWW.DUSTMONKEY.NET)  
[WWW.DUCTMONKEY.NET](http://WWW.DUCTMONKEY.NET)  
[WWW.MONKEYARMS.COM](http://WWW.MONKEYARMS.COM)



*Experts in Dust, and  
Fume Control.*

## MODELS AVAILABLE

GRINDEX	POWER (HP)	SOUND LEVEL	MAX DELIVERY	NET WEIGHT	VOLTAGE (V)	RPM	FILTERING SURFACE	CLEANING SYSTEM
GRINDEX	1	68	590	95	230/400/3 /50	2900	33	Manual shaker
GRINDEX	1.5	70	700	105	230/400/3 /50	2900	33	Manual shaker
GRINDEX S	1.5	70	700	105	230/400/3 /50	2900	33	Manual shaker
GRINDEX 3	3	70	820	160	230/400/3 /50	2900	33	Manual shaker
GRINDEX 3/T	3	70	820	195	230/400/3 /50	2900	33	Manual shaker

WWW.DUSTMONKEY.NET

## TERMS AND CONDITIONS

### PAYMENTS AND TERMS

Prices quoted are good for 30 days unless otherwise noted. Dust Monkey accepts cash, check, wire transfer, or credit cards. All prices are quote in US Dollars, unless otherwise noted. All sales are final. All freight is FOB, Las Vegas, Nevada unless otherwise noted. All goods remain the property of Dust Monkey until paid in full. Payment is due at time of order unless credit has been granted. All past due accounts accrue a service fee of 3% per month. Dust Monkey is a DBA of Komodo Enterprises, Inc., a Nevada Corporation.

### PRIVACY STATEMENT

Komodo Enterprises Inc. respects your privacy and will not divulge your contact information to any third party organization or entity without your express permission. In addition, our web sites gather no unauthorized information from your computer during your visit with us. All phone calls to Dust Monkey may be monitored or recorded.

### ACCURACY

Dust Monkey assumes no responsibility for errors or omissions in this web site or documents which are referenced by or linked to this site. This site could include technical or other inaccuracies. Changes are periodically added to the information, and Dust Monkey may change the products or services described at any time. Contact Customer Service for further information before relying on any information contained herein. The information provided on this site, including text, images, and links, are provided "AS IS" by Dust Monkey solely as a convenience to its visitors. This information is without any warranties, express or implied, including but not limited to warranties of merchantability, fitness for a particular purpose or non-infringement.

### WARRANTY & INDEMNITY

Dust Monkey warrants products it manufactures for a period of 90 days to the original purchaser from the date of purchase. Items not manufactured by Dust Monkey are limited to their own manufacturer's warranties. This warranty does not apply to defects due directly or indirectly to misuse, negligence, accidents, abuse, repairs, or alterations or lack of maintenance. This is Dust Monkey's sole written warranty and any and all warranties that may be implied by law, including any merchantability or fitness, for any particular purpose, are hereby limited to the duration of this written warranty. Dust Monkey does not warrant or represent that the merchandise complies with the provisions of any law or acts. In no event shall Dust Monkey liability under this warranty exceed the purchase price paid for the product. Both parties agree to binding arbitration in Las Vegas, Nevada. Dust Monkey shall in no event be liable for death, injuries to persons or property or for incidental, and contingent, special, or consequential damages arising from the use of our products. Dust Monkey warrants products only for the specific use expressly agreed to at time of purchase by Dust Monkey in writing. Motors should only be started and stopped up to 4 - 10 times per hour. Starting motors more frequently can cause heat build up and can cause the motor overload to trip or cause motor damage. In general, motors should be started and stopped as little as possible for maximum lifespan and best economy (electrical use). \*Note: Motors should be protected from extreme weather to prolong motor life. All claims, including claims covered under the limited warranty, are subject to inspection and investigation before Buyer's claim is settled. Any parts returned for warranty or repair will not be accepted without an RMA number and must be shipped pre-paid. Contact Customer Service with the original bill of sale to obtain an RMA number.

# DUST MONKEY JETCLEAN

WWW.DUSTMONKEY.NET

## SPECIFICATIONS

Filter cleaning has always been problem for the traditional filtering pockets used for welding & dusts! Dust Monkey now has a simple and reliable solution to this problem: Jetclean, the portable unit with long-lasting washable cartridges and a manual compressed air cleaning system. Due to the units ability to re-use washed filters, the Jetclean portable filter unit offers much lower maintenance costs then traditional filters. The overall design of the Jetclean is compact, while still offering excellent filtering performance.

The unit was engineered to be easy to handle (the unit is fixed on wheels) and also produce very low noise levels. The fumes are extracted by the patented UNIVERSAL NO-SMOKE (standard) arm or EVOLUTION NOSMOKE (optional), they go through a metal filter, situated in the side pre-chamber that operates as a spark extinguisher, then are blown upwards to the cartridge filtering section and exit from the ventilator which is fixed on top of the unit. Jetclean's main application is to deal welding fumes and dry dusts in small quantities.



The standard filtering material is polyester, but other media for different types of applications are available upon request. Also available are pressure gauges, various arm diameters, and cartridges with anti-static coating.

### FEATURES

- \* Jetclean's main application is dealing with welding fumes and dry dusts in small quantities.
- \* Compact size and maneuverability makes this mobile filter useful in nearly any environment.
- \* Easy filter replacement makes maintaining the Cleaning No-Smoke simple!
- \* Filters air to remove pollutants and odors!
- \* Due to the unique design, this filter adds almost no additional noise pollution in the surrounding environment!

### OPTIONS

- \* Differential pressure gauge to detect filtering clogging
- \* Extraction arms of different diameters
- \* Cartridges with anti-static coating

## DIMENSIONS, ETC.

Dust Monkey products are manufactured in metric sizes but described here and on the web site in their closest English equivalent. Representative sizes and dimensions are described here. Custom sizes and materials are available.

Diameters:  
63 mm: 2.5 inches  
75 mm: 3 inches  
100 mm: 4 inches  
125 mm: 5 inches  
160 mm: 6 inches  
200 mm: 8 inches

Lengths:  
1.5m: 5 feet  
2.0m: 6 feet  
3.0m: 10 feet  
4.0m: 13 feet  
5.0m: 16 feet  
6.0m: 20 feet  
7.0m: 23 feet  
8.0m: 26 feet  
9.0m: 30 feet

WWW.DUSTMONKEY.NET

Komodo Enterprises, Inc. DBA  
Dust Monkey  
2620 S. Maryland Pkwy  
Suite 14, Box 863  
Las Vegas, NV 89109

California Office  
8915 Research Dr.  
Irvine CA, 92618

Tel: 949.341.0314

Fax: 949.341.0315

E-mail: info@dustmonkey.net



*Tough, Durable,  
Rugged, Reliable,  
Stout Construction*

Visit all our web sites:  
WWW.DUSTMONKEY.NET  
WWW.DUCTMONKEY.NET  
WWW.MONKEYARMS.COM



*Experts in Dust, and  
Fume Control.*

## MODELS AVAILABLE

JETCLEAN	POWER (HP)	VOLTAGE (V)	RPM	SOUND LEVEL dB(A)	FILTERING SURFACE (SQ FT)	SUCTION FLOW AT HOOD WITH ONE ARM	SUCTION FLOW AT HOOD WITH TWO ARMS	NUMBER OF CARTRIDGES	NET WEIGHT WITHOUT ARMS
JETCLEAN	1	220/440	3400	75	86	645		1	276
JETCLEAN	1.5	220/440	3400	71	182.8	823		2	309
JETCLEAN	3	220/440	3400	72	182.8	941	1411	2	353

WWW.DUSTMONKEY.NET

## TERMS AND CONDITIONS

### PAYMENTS AND TERMS

Prices quoted are good for 30 days unless otherwise noted. Dust Monkey accepts cash, check, wire transfer, or credit cards. All prices are quote in US Dollars, unless otherwise noted. All sales are final. All freight is FOB, Las Vegas, Nevada unless otherwise noted. All goods remain the property of Dust Monkey until paid in full. Payment is due at time of order unless credit has been granted. All past due accounts accrue a service fee of 3% per month. Dust Monkey is a DBA of Komodo Enterprises, Inc., a Nevada Corporation.

### PRIVACY STATEMENT

Komodo Enterprises Inc. respects your privacy and will not divulge your contact information to any third party organization or entity without your express permission. In addition, our web sites gather no unauthorized information from your computer during your visit with us. All phone calls to Dust Monkey may be monitored or recorded.

### ACCURACY

Dust Monkey assumes no responsibility for errors or omissions in this web site or documents which are referenced by or linked to this site. This site could include technical or other inaccuracies. Changes are periodically added to the information, and Dust Monkey may change the products or services described at any time. Contact Customer Service for further information before relying on any information contained herein. The information provided on this site, including text, images, and links, are provided "AS IS" by Dust Monkey solely as a convenience to its visitors. This information is without any warranties, express or implied, including but not limited to warranties of merchantability, fitness for a particular purpose or non-infringement.

### WARRANTY & INDEMNITY

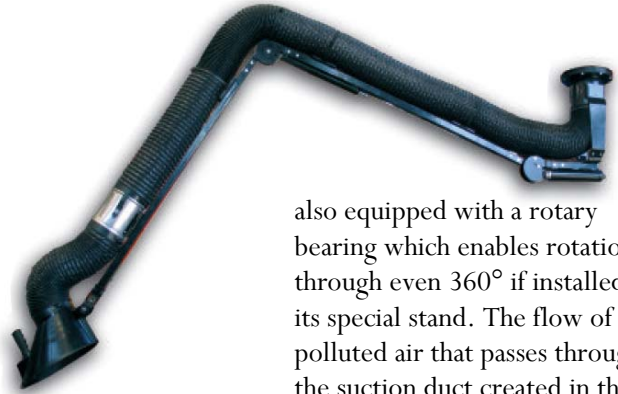
Dust Monkey warrants products it manufactures for a period of 90 days to the original purchaser from the date of purchase. Items not manufactured by Dust Monkey are limited to their own manufacturer's warranties. This warranty does not apply to defects due directly or indirectly to misuse, negligence, accidents, abuse, repairs, or alterations or lack of maintenance. This is Dust Monkey's sole written warranty and any and all warranties that may be implied by law, including any merchantability or fitness, for any particular purpose, are hereby limited to the duration of this written warranty. Dust Monkey does not warrant or represent that the merchandise complies with the provisions of any law or acts. In no event shall Dust Monkey liability under this warranty exceed the purchase price paid for the product. Both parties agree to binding arbitration in Las Vegas, Nevada. Dust Monkey shall in no event be liable for death, injuries to persons or property or for incidental, and contingent, special, or consequential damages arising from the use of our products. Dust Monkey warrants products only for the specific use expressly agreed to at time of purchase by Dust Monkey in writing. Motors should only be started and stopped up to 4 - 10 times per hour. Starting motors more frequently can cause heat build up and can cause the motor overload to trip or cause motor damage. In general, motors should be started and stopped as little as possible for maximum lifespan and best economy (electrical use). \*Note: Motors should be protected from extreme weather to prolong motor life. All claims, including claims covered under the limited warranty, are subject to inspection and investigation before Buyer's claim is settled. Any parts returned for warranty or repair will not be accepted without an RMA number and must be shipped pre-paid. Contact Customer Service with the original bill of sale to obtain an RMA number.

# DUST MONKEY SUCTION ARMS

WWW.DUSTMONKEY.NET

## SPECIFICATIONS

The No-Smoke line of self-supporting extraction arms represent the best technical solution for the suction of welding smoke, gas, vapors, aerosol, oil fumes, and dusts. The extraction arm products have been designed and built to safely remove hazardous fumes and polluting substances from the working environment. The polluted air is sucked in through the jointed hood and passes through pipes made of sturdy sheet metal to the high-efficiency fan or to the system's central piping system, and from here to the filtering unit used in



the specific applications. The pipes and the hood of the arms are coupled together by special external articulated joints along with a high resistance flexible pipe which allow easy and convenient movement of the arm. The arms are

also equipped with a rotary bearing which enables rotation through even 360° if installed on its special stand. The flow of polluted air that passes through the suction duct created in the arm, is not therefore, hindered by internal joints or articulations. Due to the reduced length of the hose used in the elbows, load losses are far lower than with other similar systems on the market. Less load loss means lower fan power (which saves energy) and lower air flow speed (which causes less noise).

### FEATURES

- \* The best technical solution for the suction of welding smoke, gas, vapors, aerosol, oil fumes, and dusts.
- \* The arm's external support gives easy maneuverability and flexibility for almost any environment.
- \* Less load loss means higher energy efficiency and lower noise volume.
- \* Designed with a variety of different materials to perform in nearly any environment!

### OPTIONS

- \* Wall support for one fan
- \* Wall support bracket
- \* NO SMOKE fan without rotary bearing
- \* Connection smoothed outlet for fans
- \* Stainless steel hood
- \* Spark net for plastic hood
- \* Available in Aluminum, Enameled, Stainless steel, Galvanized, or with a light

## DIMENSIONS, ETC.

Dust Monkey products are manufactured in metric sizes but described here and on the web site in their closest English equivalent. Representative sizes and dimensions are described here. Custom sizes and materials are available.

Diameters:  
63 mm: 2.5 inches  
75 mm: 3 inches  
100 mm: 4 inches  
125 mm: 5 inches  
160 mm: 6 inches  
200 mm: 8 inches

Lengths:  
1.5m: 5 feet  
2.0m: 6 feet  
3.0m: 10 feet  
4.0m: 13 feet  
5.0m: 16 feet  
6.0m: 20 feet  
7.0m: 23 feet  
8.0m: 26 feet  
9.0m: 30 feet

WWW.DUSTMONKEY.NET

Komodo Enterprises, Inc. DBA  
Dust Monkey  
2620 S. Maryland Pkwy  
Suite 14, Box 863  
Las Vegas, NV 89109

California Office  
8915 Research Dr.  
Irvine CA, 92618

Tel: 949.341.0314  
Fax: 949.341.0315

E-mail: info@dustmonkey.net



*Tough, Durable,  
Rugged, Reliable,  
Stout Construction*

Visit all our web sites:  
WWW.DUSTMONKEY.NET  
WWW.DUCTMONKEY.NET  
WWW.MONKEYARMS.COM



*Experts in Dust, and  
Fume Control.*

WWW.DUSTMONKEY.NET

## MODELS AVAILABLE

LENGTHS AVAILABLE	4'	7'	9'	10'	13'
Evolution 100		X	X		
Evolution 125				X	X
Evolution 150				X	X
Evolution 180				X	X
Evolution 200				X	X
Evolution 250				X	X

LENGTHS AVAILABLE	4'	7'	9'	11'	14'
Universal 100	X	X	X		
Universal 125				X	X
Universal 150				X	X
Universal 180				X	X
Universal 200				X	X

MATERIALS AVAILABLE	ALUMINUM	ENAMELED	STAINLESS STEEL	GALVANIZED
Evolution 100 Universal 100	X	X	X	
Evolution 125 Universal 125	X	X	X	X
Evolution 150 Universal 150	X	X	X	X
Evolution 180 Universal 180	X	X		
Evolution 200 Universal 200	X			
Evolution 250	X			

DIAMETERS AVAILABLE	4"	5"	6"	7"	8"	10"
Evolution 100 Universal 100	X					
Evolution 125 Universal 125		X				
Evolution 150 Universal 150			X			
Evolution 180 Universal 180				X		
Evolution 200 Universal 200					X	
Evolution 250						X

## TERMS AND CONDITIONS

### PAYMENTS AND TERMS

Prices quoted are good for 30 days unless otherwise noted. Dust Monkey accepts cash, check, wire transfer, or credit cards. All prices are quote in US Dollars, unless otherwise noted. All sales are final. All freight is FOB, Las Vegas, Nevada unless otherwise noted. All goods remain the property of Dust Monkey until paid in full. Payment is due at time of order unless credit has been granted. All past due accounts accrue a service fee of 3% per month. Dust Monkey is a DBA of Komodo Enterprises, Inc., a Nevada Corporation.

### PRIVACY STATEMENT

Komodo Enterprises Inc. respects your privacy and will not divulge your contact information to any third party organization or entity without your express permission. In addition, our web sites gather no unauthorized information from your computer during your visit with us. All phone calls to Dust Monkey may be monitored or recorded.

### ACCURACY

Dust Monkey assumes no responsibility for errors or omissions in this web site or documents which are referenced by or linked to this site. This site could include technical or other inaccuracies. Changes are periodically added to the information, and Dust Monkey may change the products or services described at any time. Contact Customer Service for further information before relying on any information contained herein. The information provided on this site, including text, images, and links, are provided "AS IS" by Dust Monkey solely as a convenience to its visitors. This information is without any warranties, express or implied, including but not limited to warranties of merchantability, fitness for a particular purpose or non-infringement.

### WARRANTY & INDEMNITY

Dust Monkey warrants products it manufactures for a period of 90 days to the original purchaser from the date of purchase. Items not manufactured by Dust Monkey are limited to their own manufacturer's warranties. This warranty does not apply to defects due directly or indirectly to misuse, negligence, accidents, abuse, repairs, or alterations or lack of maintenance. This is Dust Monkey's sole written warranty and any and all warranties that may be implied by law, including any merchantability or fitness, for any particular purpose, are hereby limited to the duration of this written warranty. Dust Monkey does not warrant or represent that the merchandise complies with the provisions of any law or acts. In no event shall Dust Monkey liability under this warranty exceed the purchase price paid for the product. Both parties agree to binding arbitration in Las Vegas, Nevada. Dust Monkey shall in no event be liable for death, injuries to persons or property or for incidental, and contingent, special, or consequential damages arising from the use of our products. Dust Monkey warrants products only for the specific use expressly agreed to at time of purchase by Dust Monkey in writing. Motors should only be started and stopped up to 4 - 10 times per hour. Starting motors more frequently can cause heat build up and can cause the motor overload to trip or cause motor damage. In general, motors should be started and stopped as little as possible for maximum lifespan and best economy (electrical use). \*Note: Motors should be protected from extreme weather to prolong motor life. All claims, including claims covered under the limited warranty, are subject to inspection and investigation before Buyer's claim is settled. Any parts returned for warranty or repair will not be accepted without an RMA number and must be shipped pre-paid. Contact Customer Service with the original bill of sale to obtain an RMA number.

# DUST MONKEY NOIL

WWW.DUSTMONKEY.NET

## SPECIFICATIONS

The Noil oil mist filter is suitable for use in the mechanical, graphic arts, food, and a variety of other related industries where oil mist filtration is applicable. The Noil filter unit has been designed to purify the air in a working environment where oil fumes are produced, and the unit recovers the oil to allow for its reuse. The Noil uses two filters: a cellulose pre-filter and a polyester filter to ensure high efficiency. Using this dual filter system, up

to 98% of the oil particles within the contaminated air will be filtered. After the air is filtered, it is then released back into the work environment. The filtered oil collected in the low part of the separator and guarantees the almost total oil recovery in relation to the recycle. The oil outlet of Noil is provided with a 1" 1/2 pipe union which must always be plunged into the oil recycle tank so that there is no air escape. The Noil separator is very solid and has reduced



dimensions thanks to the inside mounting of the ventilator, allowing an easy adaptability to nearly all machine tools.

### FEATURES

- \* The Noil is suitable for use in the mechanical, graphic arts, food, and a variety of other industries
- \* The Noil filter unit has been designed to purify the air in a working environment where oil fumes are produced, and the unit recovers the oil to allow for its reuse.
- \* Dual filter system allows for maximum oil filtration, which means a higher amount of oil is recovered.

### OPTIONS

- \* Cellulose cartridge filter
- \* Polyester Cartridge filter
- \* Post-filtration kit
- \* Electrostatic post filtration kit

## DIMENSIONS, ETC.

Dust Monkey products are manufactured in metric sizes but described here and on the web site in their closest English equivalent. Representative sizes and dimensions are described here. Custom sizes and materials are available.

Diameters:  
63 mm: 2.5 inches  
75 mm: 3 inches  
100 mm: 4 inches  
125 mm: 5 inches  
160 mm: 6 inches  
200 mm: 8 inches

Lengths:  
1.5m: 5 feet  
2.0m: 6 feet  
3.0m: 10 feet  
4.0m: 13 feet  
5.0m: 16 feet  
6.0m: 20 feet  
7.0m: 23 feet  
8.0m: 26 feet  
9.0m: 30 feet

WWW.DUSTMONKEY.NET

Komodo Enterprises, Inc. DBA  
Dust Monkey  
2620 S. Maryland Pkwy  
Suite 14, Box 863  
Las Vegas, NV 89109

California Office  
8915 Research Dr.  
Irvine CA, 92618

Tel: 949.341.0314  
Fax: 949.341.0315

E-mail: [info@dustmonkey.net](mailto:info@dustmonkey.net)



*Tough, Durable,  
Rugged, Reliable,  
Stout Construction*

Visit all our web sites:  
[WWW.DUSTMONKEY.NET](http://WWW.DUSTMONKEY.NET)  
[WWW.DUCTMONKEY.NET](http://WWW.DUCTMONKEY.NET)  
[WWW.MONKEYARMS.COM](http://WWW.MONKEYARMS.COM)



*Experts in Dust, and  
Fume Control.*

## MODELS AVAILABLE

NOIL	MAX AIR FLOW	STATIC PRES-SURE	POWER (HP)	WEIGHT (LB)	NOISE LEVEL dB(A)	SUCTION INLET DIAMETER
NOIL 06	350	0.072	1	62	68	4
NOIL 08	470	0.072	1	64	72	4
NOIL 12	700	0.072	2	122	74	6
NOIL 15	880	0.072	2	124	75	6
NOIL 20	1290	0.072	2	122	75	7
NOIL 26	1530	0.072	2	124	76	8

WWW.DUSTMONKEY.NET

## TERMS AND CONDITIONS

### PAYMENTS AND TERMS

Prices quoted are good for 30 days unless otherwise noted. Dust Monkey accepts cash, check, wire transfer, or credit cards. All prices are quote in US Dollars, unless otherwise noted. All sales are final. All freight is FOB, Las Vegas, Nevada unless otherwise noted. All goods remain the property of Dust Monkey until paid in full. Payment is due at time of order unless credit has been granted. All past due accounts accrue a service fee of 3% per month. Dust Monkey is a DBA of Komodo Enterprises, Inc., a Nevada Corporation.

### PRIVACY STATEMENT

Komodo Enterprises Inc. respects your privacy and will not divulge your contact information to any third party organization or entity without your express permission. In addition, our web sites gather no unauthorized information from your computer during your visit with us. All phone calls to Dust Monkey may be monitored or recorded.

### ACCURACY

Dust Monkey assumes no responsibility for errors or omissions in this web site or documents which are referenced by or linked to this site. This site could include technical or other inaccuracies. Changes are periodically added to the information, and Dust Monkey may change the products or services described at any time. Contact Customer Service for further information before relying on any information contained herein. The information provided on this site, including text, images, and links, are provided "AS IS" by Dust Monkey solely as a convenience to its visitors. This information is without any warranties, express or implied, including but not limited to warranties of merchantability, fitness for a particular purpose or non-infringement.

### WARRANTY & INDEMNITY

Dust Monkey warrants products it manufactures for a period of 90 days to the original purchaser from the date of purchase. Items not manufactured by Dust Monkey are limited to their own manufacturer's warranties. This warranty does not apply to defects due directly or indirectly to misuse, negligence, accidents, abuse, repairs, or alterations or lack of maintenance. This is Dust Monkey's sole written warranty and any and all warranties that may be implied by law, including any merchantability or fitness, for any particular purpose, are hereby limited to the duration of this written warranty. Dust Monkey does not warrant or represent that the merchandise complies with the provisions of any law or acts. In no event shall Dust Monkey liability under this warranty exceed the purchase price paid for the product. Both parties agree to binding arbitration in Las Vegas, Nevada. Dust Monkey shall in no event be liable for death, injuries to persons or property or for incidental, and contingent, special, or consequential damages arising from the use of our products. Dust Monkey warrants products only for the specific use expressly agreed to at time of purchase by Dust Monkey in writing. Motors should only be started and stopped up to 4 - 10 times per hour. Starting motors more frequently can cause heat build up and can cause the motor overload to trip or cause motor damage. In general, motors should be started and stopped as little as possible for maximum lifespan and best economy (electrical use). \*Note: Motors should be protected from extreme weather to prolong motor life. All claims, including claims covered under the limited warranty, are subject to inspection and investigation before Buyer's claim is settled. Any parts returned for warranty or repair will not be accepted without an RMA number and must be shipped pre-paid. Contact Customer Service with the original bill of sale to obtain an RMA number.

# DUST MONKEY OIL MIX

WWW.DUSTMONKEY.NET

## SPECIFICATIONS

Oil Mix is the most recent addition to the Dust Monkey range of oil mist capture and filtration equipment. Its compact design and high filtering efficiencies coupled with low noise levels make this unit a unique addition to the Dust Monkey family of products. Oil Mix utilizes a powerful centrifugal fan which draws polluted air through a 4 stage filtration process unique to Dust Monkey oil mist collecting equipment. In the first stage the polluted air enters a helical impinger which is auger shaped. As the air passes through the impinger it is slowed down

and the heavier droplets fall out running down to the drain pan. In the second stage, it passes through a higher efficiency impinger which further reduces the amount of oil in the air. Thirdly through a metal mesh filter and finally through a 95% efficient final filter or through the optional absolute filter (HEPA FILTER) to eliminate sub-micron oil mist and residual impurities before the air is finally recirculated into the room. Oil Mix is mainly used in machining operations which incorporate the use of cutting or cooling oils. Oil Mix is suitable for lathing



operations, threading machines, CNC machines, grinding equipment etc. The 4 stage filtration eliminates 99.9% (HEPA FILTER) of contaminants, placing Oil Mix at the forefront of oil mist elimination.

### FEATURES

- \* Suitable for lathing operations, threading machines, CNC machines, and grinding equipment.
- \* Air is drawn through a 4 stage filtration process! Each filter cleans the air more thoroughly until it is completely filtered!
- \* Compact design makes the Oil Mix easy to place nearly anywhere it may be needed!

### OPTIONS

- \* The Oil Mix can also be made suitable for food grade oils in the food manufacturing industry by manufacturing the units in stainless steel to meet FDA requirements.
- \* Swivel casters
- \* Detector with visual or acoustical alarm
- \* Stainless steel construction
- \* Fittings & ducting
- \* HEPA filters

## DIMENSIONS, ETC.

Dust Monkey products are manufactured in metric sizes but described here and on the web site in their closest English equivalent. Representative sizes and dimensions are described here. Custom sizes and materials are available.

Diameters:  
63 mm: 2.5 inches  
75 mm: 3 inches  
100 mm: 4 inches  
125 mm: 5 inches  
160 mm: 6 inches  
200 mm: 8 inches

Lengths:  
1.5m: 5 feet  
2.0m: 6 feet  
3.0m: 10 feet  
4.0m: 13 feet  
5.0m: 16 feet  
6.0m: 20 feet  
7.0m: 23 feet  
8.0m: 26 feet  
9.0m: 30 feet

WWW.DUSTMONKEY.NET

Komodo Enterprises, Inc. DBA  
Dust Monkey  
2620 S. Maryland Pkwy  
Suite 14, Box 863  
Las Vegas, NV 89109

California Office  
8915 Research Dr.  
Irvine CA, 92618

Tel: 949.341.0314  
Fax: 949.341.0315

E-mail: [info@dustmonkey.net](mailto:info@dustmonkey.net)



*Tough, Durable,  
Rugged, Reliable,  
Stout Construction*

Visit all our web sites:  
[WWW.DUSTMONKEY.NET](http://WWW.DUSTMONKEY.NET)  
[WWW.DUCTMONKEY.NET](http://WWW.DUCTMONKEY.NET)  
[WWW.MONKEYARMS.COM](http://WWW.MONKEYARMS.COM)



*Experts in Dust, and  
Fume Control.*

## MODELS AVAILABLE

OIL MIX	POWER (HP)	RPM	VOLTAGE (V)	WEIGHT (LB)
OIL MIX	1.5	3400	220/440	288

WWW.DUSTMONKEY.NET

## TERMS AND CONDITIONS

### PAYMENTS AND TERMS

Prices quoted are good for 30 days unless otherwise noted. Dust Monkey accepts cash, check, wire transfer, or credit cards. All prices are quote in US Dollars, unless otherwise noted. All sales are final. All freight is FOB, Las Vegas, Nevada unless otherwise noted. All goods remain the property of Dust Monkey until paid in full. Payment is due at time of order unless credit has been granted. All past due accounts accrue a service fee of 3% per month. Dust Monkey is a DBA of Komodo Enterprises, Inc., a Nevada Corporation.

### PRIVACY STATEMENT

Komodo Enterprises Inc. respects your privacy and will not divulge your contact information to any third party organization or entity without your express permission. In addition, our web sites gather no unauthorized information from your computer during your visit with us. All phone calls to Dust Monkey may be monitored or recorded.

### ACCURACY

Dust Monkey assumes no responsibility for errors or omissions in this web site or documents which are referenced by or linked to this site. This site could include technical or other inaccuracies. Changes are periodically added to the information, and Dust Monkey may change the products or services described at any time. Contact Customer Service for further information before relying on any information contained herein. The information provided on this site, including text, images, and links, are provided "AS IS" by Dust Monkey solely as a convenience to its visitors. This information is without any warranties, express or implied, including but not limited to warranties of merchantability, fitness for a particular purpose or non-infringement.

### WARRANTY & INDEMNITY

Dust Monkey warrants products it manufactures for a period of 90 days to the original purchaser from the date of purchase. Items not manufactured by Dust Monkey are limited to their own manufacturer's warranties. This warranty does not apply to defects due directly or indirectly to misuse, negligence, accidents, abuse, repairs, or alterations or lack of maintenance. This is Dust Monkey's sole written warranty and any and all warranties that may be implied by law, including any merchantability or fitness, for any particular purpose, are hereby limited to the duration of this written warranty. Dust Monkey does not warrant or represent that the merchandise complies with the provisions of any law or acts. In no event shall Dust Monkey liability under this warranty exceed the purchase price paid for the product. Both parties agree to binding arbitration in Las Vegas, Nevada. Dust Monkey shall in no event be liable for death, injuries to persons or property or for incidental, and contingent, special, or consequential damages arising from the use of our products. Dust Monkey warrants products only for the specific use expressly agreed to at time of purchase by Dust Monkey in writing. Motors should only be started and stopped up to 4 - 10 times per hour. Starting motors more frequently can cause heat build up and can cause the motor overload to trip or cause motor damage. In general, motors should be started and stopped as little as possible for maximum lifespan and best economy (electrical use). \*Note: Motors should be protected from extreme weather to prolong motor life. All claims, including claims covered under the limited warranty, are subject to inspection and investigation before Buyer's claim is settled. Any parts returned for warranty or repair will not be accepted without an RMA number and must be shipped pre-paid. Contact Customer Service with the original bill of sale to obtain an RMA number.

# DUST MONKEY F SERIES

WWW.DUSTMONKEY.NET

## SPECIFICATIONS

The filter for extraction and deodorization of the soft-soldering fumes model F 100 has been studied and built with top of the line engineering in order to obtain the most reduced overall dimensions but, at the same time, a high efficiency of extraction and filtration. Suited for the electronics factories and for the electronics laboratories, the F series can also be used in chemistry and pharmaceutical fields, professional schools, and gold craft factories. The F series of filter for extraction and deodorization of the soft-

soldering fumes was engineering and manufactured to be very modular in the filtering apparatus which increase the range of usage by a wide margin. Designed for electronics factories for aspiration and filtering fumes from working place up to 12 (F 1200), wave soldering, soft-soldering, are also applied in pharmaceutical and chemistry fields, gold craft factories, professional schools. Filtering is performed through 3 different stages with increasing efficiency, visually monitored by a differential manometer, or



by a reusable filtering cartridge; in this model the differential manometer an optional accessory. The F series is compact and usable in many different environments.

### FEATURES

- \* Design for electronics factories and electronics laboratories, the filter can also be employed in chemistry and pharmaceutical fields, professional schools, and gold craft factories
- \* Compact design makes the F series usable in a variety of different environments and situations!
- \* Filtering is performed through 3 different stages with increasing efficiency, visually monitored by a differential manometer

### OPTIONS

- \* Plexiglas circular hood
- \* Plexiglas hood with leak
- \* Hood with 4", 6" or 10" leak
- \* Circular hood
- \* Circular hood with halogen light 20W
- \* Couplings with flexible hose
- \* Transformer
- \* Wall support
- \* Table support

## DIMENSIONS, ETC.

Dust Monkey products are manufactured in metric sizes but described here and on the web site in their closest English equivalent. Representative sizes and dimensions are described here. Custom sizes and materials are available.

Diameters:  
63 mm: 2.5 inches  
75 mm: 3 inches  
100 mm: 4 inches  
125 mm: 5 inches  
160 mm: 6 inches  
200 mm: 8 inches

Lengths:  
1.5m: 5 feet  
2.0m: 6 feet  
3.0m: 10 feet  
4.0m: 13 feet  
5.0m: 16 feet  
6.0m: 20 feet  
7.0m: 23 feet  
8.0m: 26 feet  
9.0m: 30 feet

WWW.DUSTMONKEY.NET

Komodo Enterprises, Inc. DBA  
Dust Monkey  
2620 S. Maryland Pkwy  
Suite 14, Box 863  
Las Vegas, NV 89109

California Office  
8915 Research Dr.  
Irvine CA, 92618

Tel: 949.341.0314  
Fax: 949.341.0315

E-mail: info@dustmonkey.net



*Tough, Durable,  
Rugged, Reliable,  
Stout Construction*

Visit all our web sites:  
WWW.DUSTMONKEY.NET  
WWW.DUCTMONKEY.NET  
WWW.MONKEYARMS.COM



*Experts in Dust, and  
Fume Control.*

## MODELS AVAILABLE

F Series	POWER (HP)	VOLTAGE (V)	CAPACITY (CFM)	FILTERING SURFACE (SQ FT)	EFFICIENCY (%)	AVERAGE SOUND LEVEL dB(A)	WEIGHT (LB)
F 100	1	230/1/50	82	15	99.9	57	40
F 200	0.7	230/1/50	147	21.5	99.9	58	139
F 260	3	230/400	117.6	21.5	99.9	73	165
F 400	0.7	230/1/50	294	48.4	99.9	58	148
F 800	2	230/400/3/50	471	96.8	99.9	60	265
F 800/S	2	230/400/3/50	471	96.8	99.9	60	265
F 1200	3	230/400/3/50	706	96.8	99.9	60	353
F 1200/S	3	230/400/3/50	706	96.8	99.9	60	353

WWW.DUSTMONKEY.NET

## TERMS AND CONDITIONS

### PAYMENTS AND TERMS

Prices quoted are good for 30 days unless otherwise noted. Dust Monkey accepts cash, check, wire transfer, or credit cards. All prices are quote in US Dollars, unless otherwise noted. All sales are final. All freight is FOB, Las Vegas, Nevada unless otherwise noted. All goods remain the property of Dust Monkey until paid in full. Payment is due at time of order unless credit has been granted. All past due accounts accrue a service fee of 3% per month. Dust Monkey is a DBA of Komodo Enterprises, Inc., a Nevada Corporation.

### PRIVACY STATEMENT

Komodo Enterprises Inc. respects your privacy and will not divulge your contact information to any third party organization or entity without your express permission. In addition, our web sites gather no unauthorized information from your computer during your visit with us. All phone calls to Dust Monkey may be monitored or recorded.

### ACCURACY

Dust Monkey assumes no responsibility for errors or omissions in this web site or documents which are referenced by or linked to this site. This site could include technical or other inaccuracies. Changes are periodically added to the information, and Dust Monkey may change the products or services described at any time. Contact Customer Service for further information before relying on any information contained herein. The information provided on this site, including text, images, and links, are provided "AS IS" by Dust Monkey solely as a convenience to its visitors. This information is without any warranties, express or implied, including but not limited to warranties of merchantability, fitness for a particular purpose or non-infringement.

### WARRANTY & INDEMNITY

Dust Monkey warrants products it manufactures for a period of 90 days to the original purchaser from the date of purchase. Items not manufactured by Dust Monkey are limited to their own manufacturer's warranties. This warranty does not apply to defects due directly or indirectly to misuse, negligence, accidents, abuse, repairs, or alterations or lack of maintenance. This is Dust Monkey's sole written warranty and any and all warranties that may be implied by law, including any merchantability or fitness, for any particular purpose, are hereby limited to the duration of this written warranty. Dust Monkey does not warrant or represent that the merchandise complies with the provisions of any law or acts. In no event shall Dust Monkey liability under this warranty exceed the purchase price paid for the product. Both parties agree to binding arbitration in Las Vegas, Nevada. Dust Monkey shall in no event be liable for death, injuries to persons or property or for incidental, and contingent, special, or consequential damages arising from the use of our products. Dust Monkey warrants products only for the specific use expressly agreed to at time of purchase by Dust Monkey in writing. Motors should only be started and stopped up to 4 - 10 times per hour. Starting motors more frequently can cause heat build up and can cause the motor overload to trip or cause motor damage. In general, motors should be started and stopped as little as possible for maximum lifespan and best economy (electrical use). \*Note: Motors should be protected from extreme weather to prolong motor life. All claims, including claims covered under the limited warranty, are subject to inspection and investigation before Buyer's claim is settled. Any parts returned for warranty or repair will not be accepted without an RMA number and must be shipped pre-paid. Contact Customer Service with the original bill of sale to obtain an RMA number.

# DUST MONKEY OLISMOKE

WWW.DUSTMONKEY.NET

## SPECIFICATIONS

The Olismoke is a table extractor for fumes and vapors caused by soft soldering. Olismoke is particularly helpful in the electronic, electro-technical and radio-technical sector, where the various components are assembled on printed circuits by soft soldering. The polluted air is removed, by means of a special flexible, articulated hose 4 inch diameter, model OLIFLEX, directly at its source before it can reach the operator's respiratory system. Using a small, high efficiency electro-fan, the polluted air is pushed upward where a

filter cartridge is positioned. The OLISMOKE/CA model is equipped with an active carbon filtering cartridge placed on the fan's exhaust which takes care of the filtration of gases and fumes. It is also available as optional an additional cartridge in polyester with high filtering efficiency (OLISMOKE/CA/B). Olismoke therefore improves working conditions and increases production. The Olismoke is engineered specifically to be easy to handle, noiseless, and efficient. On top of being extremely light weight, it is possible



to position the Olismoke filter in all directions. The filter is practical, powerful, and compact, which makes it useful in a number of different situations. The filter has also been constructed to reduce noise pollution in the surrounding environment.

### FEATURES

- \* Table extractor for fumes and vapors caused by soft soldering.
- \* Particularly helpful in the electronic, electro-technical, and radio-technical sectors, where the various components are assembled on printed circuits by soft soldering.
- \* Able to be positioned in all directions
- \* The Olismoke is practical, powerful, and compact!

### OPTIONS

- \* Activated carbon filter
- \* Polyester filter
- \* Flexible hose for positioning

## DIMENSIONS, ETC.

Dust Monkey products are manufactured in metric sizes but described here and on the web site in their closest English equivalent. Representative sizes and dimensions are described here. Custom sizes and materials are available.

Diameters:  
63 mm: 2.5 inches  
75 mm: 3 inches  
100 mm: 4 inches  
125 mm: 5 inches  
160 mm: 6 inches  
200 mm: 8 inches

Lengths:  
1.5m: 5 feet  
2.0m: 6 feet  
3.0m: 10 feet  
4.0m: 13 feet  
5.0m: 16 feet  
6.0m: 20 feet  
7.0m: 23 feet  
8.0m: 26 feet  
9.0m: 30 feet

WWW.DUSTMONKEY.NET

Komodo Enterprises, Inc. DBA  
Dust Monkey  
2620 S. Maryland Pkwy  
Suite 14, Box 863  
Las Vegas, NV 89109

California Office  
8915 Research Dr.  
Irvine CA, 92618

Tel: 949.341.0314  
Fax: 949.341.0315

E-mail: info@dustmonkey.net



*Tough, Durable,  
Rugged, Reliable,  
Stout Construction*

Visit all our web sites:  
WWW.DUSTMONKEY.NET  
WWW.DUCTMONKEY.NET  
WWW.MONKEYARMS.COM



*Experts in Dust, and  
Fume Control.*

## MODELS AVAILABLE

OLISMOKE	AIRFLOW (CFM)	ABSORBED POWER (W)	NOISE LEVEL dB(A)	WEIGHT (LB)
OLISMOKE	153	75	48	12
OLISMOKE/CA	141	75	47	14
OLISMOKE/CA/B	117	75	47	15

WWW.DUSTMONKEY.NET

## TERMS AND CONDITIONS

### PAYMENTS AND TERMS

Prices quoted are good for 30 days unless otherwise noted. Dust Monkey accepts cash, check, wire transfer, or credit cards. All prices are quote in US Dollars, unless otherwise noted. All sales are final. All freight is FOB, Las Vegas, Nevada unless otherwise noted. All goods remain the property of Dust Monkey until paid in full. Payment is due at time of order unless credit has been granted. All past due accounts accrue a service fee of 3% per month. Dust Monkey is a DBA of Komodo Enterprises, Inc., a Nevada Corporation.

### PRIVACY STATEMENT

Komodo Enterprises Inc. respects your privacy and will not divulge your contact information to any third party organization or entity without your express permission. In addition, our web sites gather no unauthorized information from your computer during your visit with us. All phone calls to Dust Monkey may be monitored or recorded.

### ACCURACY

Dust Monkey assumes no responsibility for errors or omissions in this web site or documents which are referenced by or linked to this site. This site could include technical or other inaccuracies. Changes are periodically added to the information, and Dust Monkey may change the products or services described at any time. Contact Customer Service for further information before relying on any information contained herein. The information provided on this site, including text, images, and links, are provided "AS IS" by Dust Monkey solely as a convenience to its visitors. This information is without any warranties, express or implied, including but not limited to warranties of merchantability, fitness for a particular purpose or non-infringement.

### WARRANTY & INDEMNITY

Dust Monkey warrants products it manufactures for a period of 90 days to the original purchaser from the date of purchase. Items not manufactured by Dust Monkey are limited to their own manufacturer's warranties. This warranty does not apply to defects due directly or indirectly to misuse, negligence, accidents, abuse, repairs, or alterations or lack of maintenance. This is Dust Monkey's sole written warranty and any and all warranties that may be implied by law, including any merchantability or fitness, for any particular purpose, are hereby limited to the duration of this written warranty. Dust Monkey does not warrant or represent that the merchandise complies with the provisions of any law or acts. In no event shall Dust Monkey liability under this warranty exceed the purchase price paid for the product. Both parties agree to binding arbitration in Las Vegas, Nevada. Dust Monkey shall in no event be liable for death, injuries to persons or property or for incidental, and contingent, special, or consequential damages arising from the use of our products. Dust Monkey warrants products only for the specific use expressly agreed to at time of purchase by Dust Monkey in writing. Motors should only be started and stopped up to 4 - 10 times per hour. Starting motors more frequently can cause heat build up and can cause the motor overload to trip or cause motor damage. In general, motors should be started and stopped as little as possible for maximum lifespan and best economy (electrical use). \*Note: Motors should be protected from extreme weather to prolong motor life. All claims, including claims covered under the limited warranty, are subject to inspection and investigation before Buyer's claim is settled. Any parts returned for warranty or repair will not be accepted without an RMA number and must be shipped pre-paid. Contact Customer Service with the original bill of sale to obtain an RMA number.

# DUST MONKEY SPC

WWW.DUSTMONKEY.NET

## SPECIFICATIONS

The Super Cyclone has two types of application: as pre-filters to improve the performance of fabric post-filters, or as filters for coarse-grained dust, e.g., for wood shavings and sawdust, dust from metal or plastic materials. The Super Cyclone works by creating a vortex cyclone effect that causes the air to be expelled upwards through open ports. To achieve higher flow rates, cyclone filters may be setup in parallel for a great

effect. The filtering efficiency depends on the weight of the material being filtered and the material's grain size. The Super Cyclone is available in painted sheet steel and also in stainless steel. The Super Cyclone is available in six versions of galvanized sheet steel (for flow rates of from 1,765 to 17,657 CFM), and comes standard without support legs. The product is generally used to be mounted on container bins.



The Super Cyclone is easy to install and requires very little maintenance! Standard available options include ejection pipes and unions and piping (available in galvanized or stainless steel). This makes the SPC unit perfect for future projects, or for existing factory setups!

### FEATURES

- \* For pre-filters (to improve the performance of fabric post-filters) or as filters for coarse-grained dust, e.g., for wood shavings and sawdust, dust from metal or plastic materials.
- \* Easily mounted onto container bins.
- \* Easy installation and almost no maintenance required!
- \* Creates a cyclone effect which yields higher flow rates!

### OPTIONS

- \* Ejection pipes
- \* Unions (galvanized or stainless steel)
- \* Piping (galvanized or stainless steel)
- \* Available painted steel or stainless steel

## DIMENSIONS, ETC.

Dust Monkey products are manufactured in metric sizes but described here and on the web site in their closest English equivalent. Representative sizes and dimensions are described here. Custom sizes and materials are available.

Diameters:  
63 mm: 2.5 inches  
75 mm: 3 inches  
100 mm: 4 inches  
125 mm: 5 inches  
160 mm: 6 inches  
200 mm: 8 inches

Lengths:  
1.5m: 5 feet  
2.0m: 6 feet  
3.0m: 10 feet  
4.0m: 13 feet  
5.0m: 16 feet  
6.0m: 20 feet  
7.0m: 23 feet  
8.0m: 26 feet  
9.0m: 30 feet

WWW.DUSTMONKEY.NET

Komodo Enterprises, Inc. DBA  
Dust Monkey  
2620 S. Maryland Pkwy  
Suite 14, Box 863  
Las Vegas, NV 89109

California Office  
8915 Research Dr.  
Irvine CA, 92618

Tel: 949.341.0314  
Fax: 949.341.0315

E-mail: info@dustmonkey.net



*Tough, Durable,  
Rugged, Reliable,  
Stout Construction*

Visit all our web sites:  
WWW.DUSTMONKEY.NET  
WWW.DUCTMONKEY.NET  
WWW.MONKEYARMS.COM

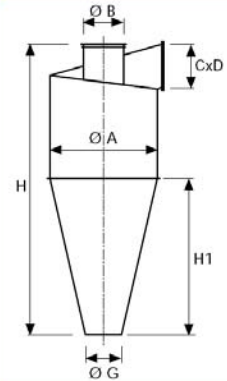


**Experts in Dust, and  
Fume Control.**

WWW.DUSTMONKEY.NET

## MODELS AVAILABLE

SPC	CAPACITY (CFM)	DIAMETER OF A (IN)	DIAMETER OF B (IN)	CxD (IN)	DIAMETER OF G (IN)	H (IN)	H1 (IN)
70	1765.73	27.56	13.78	9x7	7.87	74.80	45.28
80	2354.31	31.50	15.75	12x8	9.84	88.58	53.15
100	3531.47	39.37	19.69	14x10	11.81	114.17	70.87
120	5297.20	47.24	23.62	16x12	15.75	133.86	82.68
160	8240.09	62.99	31.50	20x16	17.72	157.48	98.43
180	11771.56	70.87	35.43	24x18	19.69	177.17	106.30



## TERMS AND CONDITIONS

### PAYMENTS AND TERMS

Prices quoted are good for 30 days unless otherwise noted. Dust Monkey accepts cash, check, wire transfer, or credit cards. All prices are quote in US Dollars, unless otherwise noted. All sales are final. All freight is FOB, Las Vegas, Nevada unless otherwise noted. All goods remain the property of Dust Monkey until paid in full. Payment is due at time of order unless credit has been granted. All past due accounts accrue a service fee of 3% per month. Dust Monkey is a DBA of Komodo Enterprises, Inc., a Nevada Corporation.

### PRIVACY STATEMENT

Komodo Enterprises Inc. respects your privacy and will not divulge your contact information to any third party organization or entity without your express permission. In addition, our web sites gather no unauthorized information from your computer during your visit with us. All phone calls to Dust Monkey may be monitored or recorded.

### ACCURACY

Dust Monkey assumes no responsibility for errors or omissions in this web site or documents which are referenced by or linked to this site. This site could include technical or other inaccuracies. Changes are periodically added to the information, and Dust Monkey may change the products or services described at any time. Contact Customer Service for further information before relying on any information contained herein. The information provided on this site, including text, images, and links, are provided "AS IS" by Dust Monkey solely as a convenience to its visitors. This information is without any warranties, express or implied, including but not limited to warranties of merchantability, fitness for a particular purpose or non-infringement.

### WARRANTY & INDEMNITY

Dust Monkey warrants products it manufactures for a period of 90 days to the original purchaser from the date of purchase. Items not manufactured by Dust Monkey are limited to their own manufacturer's warranties. This warranty does not apply to defects due directly or indirectly to misuse, negligence, accidents, abuse, repairs, or alterations or lack of maintenance. This is Dust Monkey's sole written warranty and any and all warranties that may be implied by law, including any merchantability or fitness, for any particular purpose, are hereby limited to the duration of this written warranty. Dust Monkey does not warrant or represent that the merchandise complies with the provisions of any law or acts. In no event shall Dust Monkey liability under this warranty exceed the purchase price paid for the product. Both parties agree to binding arbitration in Las Vegas, Nevada. Dust Monkey shall in no event be liable for death, injuries to persons or property or for incidental, and contingent, special, or consequential damages arising from the use of our products. Dust Monkey warrants products only for the specific use expressly agreed to at time of purchase by Dust Monkey in writing. Motors should only be started and stopped up to 4 - 10 times per hour. Starting motors more frequently can cause heat build up and can cause the motor overload to trip or cause motor damage. In general, motors should be started and stopped as little as possible for maximum lifespan and best economy (electrical use). \*Note: Motors should be protected from extreme weather to prolong motor life. All claims, including claims covered under the limited warranty, are subject to inspection and investigation before Buyer's claim is settled. Any parts returned for warranty or repair will not be accepted without an RMA number and must be shipped pre-paid. Contact Customer Service with the original bill of sale to obtain an RMA number.

# DUST MONKEY AE

WWW.DUSTMONKEY.NET

## SPECIFICATIONS

### AE/AER



The AE/AER reel is operated by a pushbutton panel (AE) or remote control (AEV), both 24 V as per Federal regulations. The electric geared motor is equipped with an adjustable electromechanical safety stop for both raising and lowering. It can be fitted on either the wall or the ceiling, also for heights of over 16 feet. Suitable for centralized extraction systems.

### AEV/AERV



The AEV/AERV reel differs from the AE/AER model in the coupling with an LAM series electric exhauster. This model provides excellent extraction even with a hose up to 49 feet long. It is particularly suitable for use in workshops where autonomous workstations are needed. Exhausters switch-on/off is automatically regulated by the lowering/raising controls of the hose.

### FEATURES

- \* Ideal for cars and motorcycles workshops where autonomous workstations are needed.
- \* Compact design allows the reels to be placed almost anywhere they're needed.
- \* Suitable for a centralized extraction system
- \* Operated by pushbutton panel or remote control

### OPTIONS

- \* Exhaust Hose

## DIMENSIONS, ETC.

Dust Monkey products are manufactured in metric sizes but described here and on the web site in their closest English equivalent. Representative sizes and dimensions are described here. Custom sizes and materials are available.

Diameters:  
63 mm: 2.5 inches  
75 mm: 3 inches  
100 mm: 4 inches  
125 mm: 5 inches  
160 mm: 6 inches  
200 mm: 8 inches

Lengths:  
1.5m: 5 feet  
2.0m: 6 feet  
3.0m: 10 feet  
4.0m: 13 feet  
5.0m: 16 feet  
6.0m: 20 feet  
7.0m: 23 feet  
8.0m: 26 feet  
9.0m: 30 feet

WWW.DUSTMONKEY.NET

Komodo Enterprises, Inc. DBA  
Dust Monkey  
2620 S. Maryland Pkwy  
Suite 14, Box 863  
Las Vegas, NV 89109

California Office  
8915 Research Dr.  
Irvine CA, 92618

Tel: 949.341.0314  
Fax: 949.341.0315  
E-mail: info@dustmonkey.net



*Tough, Durable,  
Rugged, Reliable,  
Stout Construction*

Visit all our web sites:  
WWW.DUSTMONKEY.NET  
WWW.DUCTMONKEY.NET  
WWW.MONKEYARMS.COM



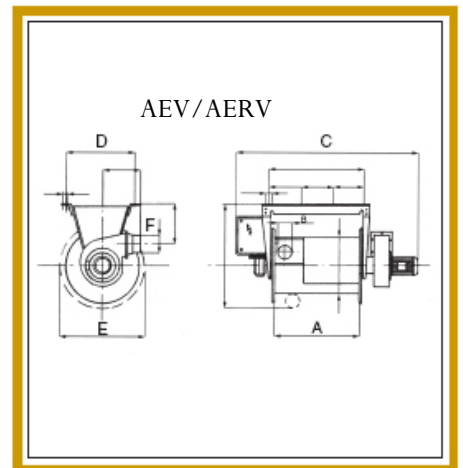
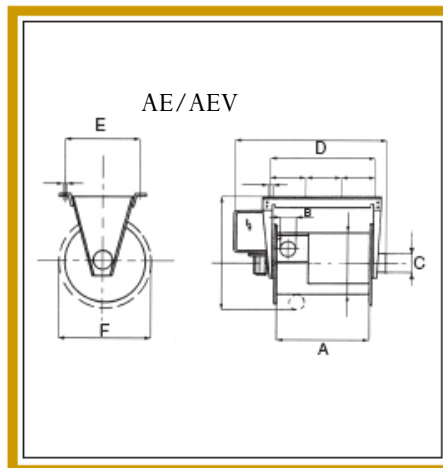
*Experts in Dust, and  
Fume Control.*

WWW.DUSTMONKEY.NET

## MODELS AVAILABLE

AE/AER	DIMENSIONS (IN)						WEIGHT (LB)
	A	B (Ø)	C (Ø)	D	E	F (Ø)	
75-7	22	3	6	27	17	25	121
75-10	22	3	6	27	17	25	121
75-13	28	3	6	33	17	25	132
100-7	22	4	6	27	17	27	121
100-10	28	4	6	33	18	27	146
100-13	38	4	6	42	18	27	154
125-7	22	5	6	27	18	29	132
125-10	28	5	6	33	18	29	163
125-13	38	5	6	42	18	29	168
150-10	38	6	6	42	18	31	154
150-15	47	6	6	52	18	31	154

AEV/AERV	DIMENSIONS (IN)						WEIGHT (LB)	POWER (HP)
	A	B (Ø)	C (Ø)	D	E	F (Ø)		
75-7	22	3	27	17	25	6	148	0.5
75-10	22	3	27	17	25	6	148	0.5
75-13	28	3	33	17	25	6	159	0.5
100-7	22	4	27	17	27	6	148	0.5
100-10	28	4	33	18	27	6	172	0.5
100-13	38	4	42	18	27	6	181	0.5
125-7	22	5	27	18	29	6	159	0.55
125-10	28	5	33	18	29	7	207	1
125-13	38	5	42	18	29	7	212	1
150-10	38	6	42	18	31	7	198	1
150-15	47	6	52	18	31	7	218	1



WWW.DUSTMONKEY.NET

Komodo Enterprises, Inc. DBA  
Dust Monkey  
2620 S. Maryland Pkwy  
Suite 14, Box 863  
Las Vegas, NV 89109

California Office  
8915 Research Dr.  
Irvine CA, 92618

Tel: 949.341.0314

Fax: 949.341.0315

E-mail: [info@dustmonkey.net](mailto:info@dustmonkey.net)



*Tough, Durable,  
Rugged, Reliable,  
Stout Construction*

Visit all our web sites:  
[WWW.DUSTMONKEY.NET](http://WWW.DUSTMONKEY.NET)  
[WWW.DUCTMONKEY.NET](http://WWW.DUCTMONKEY.NET)  
[WWW.MONKEYARMS.COM](http://WWW.MONKEYARMS.COM)



*Experts in Dust, and  
Fume Control.*

## TERMS AND CONDITIONS

### PAYMENTS AND TERMS

Prices quoted are good for 30 days unless otherwise noted. Dust Monkey accepts cash, check, wire transfer, or credit cards. All prices are quote in US Dollars, unless otherwise noted. All sales are final. All freight is FOB, Las Vegas, Nevada unless otherwise noted. All goods remain the property of Dust Monkey until paid in full. Payment is due at time of order unless credit has been granted. All past due accounts accrue a service fee of 3% per month. Dust Monkey is a DBA of Komodo Enterprises, Inc., a Nevada Corporation.

### PRIVACY STATEMENT

Komodo Enterprises Inc. respects your privacy and will not divulge your contact information to any third party organization or entity without your express permission. In addition, our web sites gather no unauthorized information from your computer during your visit with us. All phone calls to Dust Monkey may be monitored or recorded.

### ACCURACY

Dust Monkey assumes no responsibility for errors or omissions in this web site or documents which are referenced by or linked to this site. This site could include technical or other inaccuracies. Changes are periodically added to the information, and Dust Monkey may change the products or services described at any time. Contact Customer Service for further information before relying on any information contained herein. The information provided on this site, including text, images, and links, are provided "AS IS" by Dust Monkey solely as a convenience to its visitors. This information is without any warranties, express or implied, including but not limited to warranties of merchantability, fitness for a particular purpose or non-infringement.

### WARRANTY & INDEMNITY

Dust Monkey warrants products it manufactures for a period of 90 days to the original purchaser from the date of purchase. Items not manufactured by Dust Monkey are limited to their own manufacturer's warranties. This warranty does not apply to defects due directly or indirectly to misuse, negligence, accidents, abuse, repairs, or alterations or lack of maintenance. This is Dust Monkey's sole written warranty and any and all warranties that may be implied by law, including any merchantability or fitness, for any particular purpose, are hereby limited to the duration of this written warranty. Dust Monkey does not warrant or represent that the merchandise complies with the provisions of any law or acts. In no event shall Dust Monkey liability under this warranty exceed the purchase price paid for the product. Both parties agree to binding arbitration in Las Vegas, Nevada. Dust Monkey shall in no event be liable for death, injuries to persons or property or for incidental, and contingent, special, or consequential damages arising from the use of our products. Dust Monkey warrants products only for the specific use expressly agreed to at time of purchase by Dust Monkey in writing. Motors should only be started and stopped up to 4 - 10 times per hour. Starting motors more frequently can cause heat build up and can cause the motor overload to trip or cause motor damage. In general, motors should be started and stopped as little as possible for maximum lifespan and best economy (electrical use). \*Note: Motors should be protected from extreme weather to prolong motor life. All claims, including claims covered under the limited warranty, are subject to inspection and investigation before Buyer's claim is settled. Any parts returned for warranty or repair will not be accepted without an RMA number and must be shipped pre-paid. Contact Customer Service with the original bill of sale to obtain an RMA number.

WWW.DUSTMONKEY.NET

# DUST MONKEY AM

WWW.DUSTMONKEY.NET

## SPECIFICATIONS

AM



The AM is simple, lightweight but reliable, thanks to the high quality of the materials used. The AM model is equipped with a locking mechanism to stop the hose at the desired height. It can be fitted on either the wall or the ceiling and, on request, equipped with an adjustable safety stop (ATS). Thanks to its compact size, the AM model is ideal for use with cars and motorcycles. Suitable for centralized extraction system.

AMA



The AMA differs from AM model by the coupling with a LAM series electric exhauster. The AMA model provides excellent extraction even with a hose up to 43 feet long. Thanks to its compact size, the AMA model is ideal for cars and motorcycles workshops where autonomous workstations are needed. On request, the AMA can be supplied with automatic exhauster starting device (ATS SYS AMA).

### FEATURES

- \* Ideal for cars and motorcycles workshops where autonomous workstations are needed.
- \* Compact design allows the reels to be placed almost anywhere they're needed.
- \* Suitable for a centralized extraction system

### OPTIONS

- \* Exhaust Hose

## DIMENSIONS, ETC.

Dust Monkey products are manufactured in metric sizes but described here and on the web site in their closest English equivalent. Representative sizes and dimensions are described here. Custom sizes and materials are available.

Diameters:  
63 mm: 2.5 inches  
75 mm: 3 inches  
100 mm: 4 inches  
125 mm: 5 inches  
160 mm: 6 inches  
200 mm: 8 inches

Lengths:  
1.5m: 5 feet  
2.0m: 6 feet  
3.0m: 10 feet  
4.0m: 13 feet  
5.0m: 16 feet  
6.0m: 20 feet  
7.0m: 23 feet  
8.0m: 26 feet  
9.0m: 30 feet

WWW.DUSTMONKEY.NET

Komodo Enterprises, Inc. DBA  
Dust Monkey  
2620 S. Maryland Pkwy  
Suite 14, Box 863  
Las Vegas, NV 89109

California Office  
8915 Research Dr.  
Irvine CA, 92618

Tel: 949.341.0314  
Fax: 949.341.0315

E-mail: [info@dustmonkey.net](mailto:info@dustmonkey.net)



*Tough, Durable,  
Rugged, Reliable,  
Stout Construction*

Visit all our web sites:  
[WWW.DUSTMONKEY.NET](http://WWW.DUSTMONKEY.NET)  
[WWW.DUCTMONKEY.NET](http://WWW.DUCTMONKEY.NET)  
[WWW.MONKEYARMS.COM](http://WWW.MONKEYARMS.COM)



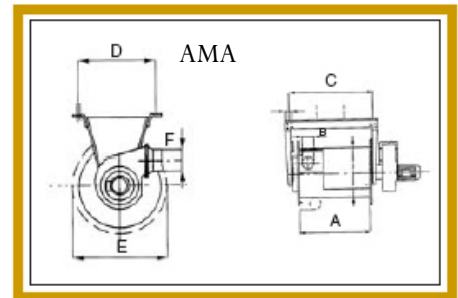
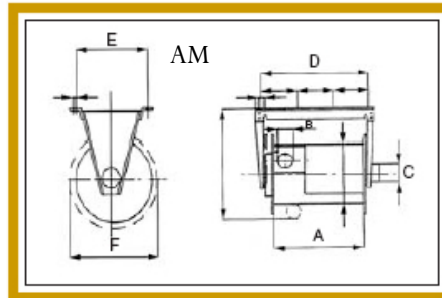
*Experts in Dust, and  
Fume Control.*

WWW.DUSTMONKEY.NET

## MODELS AVAILABLE

AM	DIMENSIONS (IN)						WEIGHT (LB)
	A	B (Ø)	C (Ø)	D	E	F (Ø)	
AM 75-10	22	3	6	28	17	25	88
AM 100-10	28	4	6	34	18	27	112
AM 100-13	38	4	6	44	18	27	121
AM 125-7	22	5	6	28	18	29	99
AM 125-10	28	5	6	34	18	29	130
AM 125-13	38	5	6	44	18	29	134
AM 150-10	38	6	6	44	18	31	121

AMA	DIMENSIONS (IN)						WEIGHT (LB)	POWER (HP)
	A	B (Ø)	C (Ø)	D	E	F (Ø)		
AMA 75-13	28	3	3	34	17	25	126	0.5
AMA 100-10	28	4	4	34	18	27	139	0.5
AMA 100-13	38	4	4	46	18	27	148	0.5
AMA 125-7	22	5	5	28	18	29	126	0.5
AMA 125-10	28	5	5	34	18	29	174	1
AMA 125-13	38	5	5	44	18	29	179	1
AMA 150-10	38	6	6	44	18	31	165	1



WWW.DUSTMONKEY.NET

WWW.DUSTMONKEY.NET

Komodo Enterprises, Inc. DBA  
Dust Monkey  
2620 S. Maryland Pkwy  
Suite 14, Box 863  
Las Vegas, NV 89109

California Office  
8915 Research Dr.  
Irvine CA, 92618

Tel: 949.341.0314

Fax: 949.341.0315

E-mail: [info@dustmonkey.net](mailto:info@dustmonkey.net)



*Tough, Durable,  
Rugged, Reliable,  
Stout Construction*

Visit all our web sites:  
[WWW.DUSTMONKEY.NET](http://WWW.DUSTMONKEY.NET)  
[WWW.DUCTMONKEY.NET](http://WWW.DUCTMONKEY.NET)  
[WWW.MONKEYARMS.COM](http://WWW.MONKEYARMS.COM)



*Experts in Dust, and  
Fume Control.*

## TERMS AND CONDITIONS

### PAYMENTS AND TERMS

Prices quoted are good for 30 days unless otherwise noted. Dust Monkey accepts cash, check, wire transfer, or credit cards. All prices are quote in US Dollars, unless otherwise noted. All sales are final. All freight is FOB, Las Vegas, Nevada unless otherwise noted. All goods remain the property of Dust Monkey until paid in full. Payment is due at time of order unless credit has been granted. All past due accounts accrue a service fee of 3% per month. Dust Monkey is a DBA of Komodo Enterprises, Inc., a Nevada Corporation.

### PRIVACY STATEMENT

Komodo Enterprises Inc. respects your privacy and will not divulge your contact information to any third party organization or entity without your express permission. In addition, our web sites gather no unauthorized information from your computer during your visit with us. All phone calls to Dust Monkey may be monitored or recorded.

### ACCURACY

Dust Monkey assumes no responsibility for errors or omissions in this web site or documents which are referenced by or linked to this site. This site could include technical or other inaccuracies. Changes are periodically added to the information, and Dust Monkey may change the products or services described at any time. Contact Customer Service for further information before relying on any information contained herein. The information provided on this site, including text, images, and links, are provided "AS IS" by Dust Monkey solely as a convenience to its visitors. This information is without any warranties, express or implied, including but not limited to warranties of merchantability, fitness for a particular purpose or non-infringement.

### WARRANTY & INDEMNITY

Dust Monkey warrants products it manufactures for a period of 90 days to the original purchaser from the date of purchase. Items not manufactured by Dust Monkey are limited to their own manufacturer's warranties. This warranty does not apply to defects due directly or indirectly to misuse, negligence, accidents, abuse, repairs, or alterations or lack of maintenance. This is Dust Monkey's sole written warranty and any and all warranties that may be implied by law, including any merchantability or fitness, for any particular purpose, are hereby limited to the duration of this written warranty. Dust Monkey does not warrant or represent that the merchandise complies with the provisions of any law or acts. In no event shall Dust Monkey liability under this warranty exceed the purchase price paid for the product. Both parties agree to binding arbitration in Las Vegas, Nevada. Dust Monkey shall in no event be liable for death, injuries to persons or property or for incidental, and contingent, special, or consequential damages arising from the use of our products. Dust Monkey warrants products only for the specific use expressly agreed to at time of purchase by Dust Monkey in writing. Motors should only be started and stopped up to 4 - 10 times per hour. Starting motors more frequently can cause heat build up and can cause the motor overload to trip or cause motor damage. In general, motors should be started and stopped as little as possible for maximum lifespan and best economy (electrical use). \*Note: Motors should be protected from extreme weather to prolong motor life. All claims, including claims covered under the limited warranty, are subject to inspection and investigation before Buyer's claim is settled. Any parts returned for warranty or repair will not be accepted without an RMA number and must be shipped pre-paid. Contact Customer Service with the original bill of sale to obtain an RMA number.

WWW.DUSTMONKEY.NET

# DUST MONKEY AM-MAXI

WWW.DUSTMONKEY.NET

## SPECIFICATIONS

### AM-MAXI



The AM-MAXI is simple, lightweight but reliable, thanks to the high quality of the materials used. The AM-MAXI model is equipped with a locking mechanism to stop the hose at the desired height. It can be fitted on either the wall or the ceiling and, on request, equipped with an adjustable safety stop (ATS). Thanks to its compact size, the AM-MAXI model is ideal for use with cars and motorcycles. Suitable for centralized extraction system.

### AMA-MAXI



The AMA-MAXI differs from AM-MAXI model by the coupling with a LAM series electric exhauster. The AMA-MAXI model provides excellent extraction even with a hose up to 49 feet long. Thanks to its compact size, the AMA-MAXI model is ideal for cars and motorcycles workshops where autonomous workstations are needed. On request, the AMA-MAXI can be supplied with automatic exhauster starting device (ATS SYS AMA).

### FEATURES

- \* Ideal for cars and motorcycles workshops where autonomous workstations are needed.
- \* Compact design allows the reels to be placed almost anywhere they're needed.
- \* Suitable for a centralized extraction system

### OPTIONS

- \* Exhaust Hose

## DIMENSIONS, ETC.

Dust Monkey products are manufactured in metric sizes but described here and on the web site in their closest English equivalent. Representative sizes and dimensions are described here. Custom sizes and materials are available.

Diameters:  
63 mm: 2.5 inches  
75 mm: 3 inches  
100 mm: 4 inches  
125 mm: 5 inches  
160 mm: 6 inches  
200 mm: 8 inches

Lengths:  
1.5m: 5 feet  
2.0m: 6 feet  
3.0m: 10 feet  
4.0m: 13 feet  
5.0m: 16 feet  
6.0m: 20 feet  
7.0m: 23 feet  
8.0m: 26 feet  
9.0m: 30 feet

WWW.DUSTMONKEY.NET

Komodo Enterprises, Inc. DBA  
Dust Monkey  
2620 S. Maryland Pkwy  
Suite 14, Box 863  
Las Vegas, NV 89109

California Office  
8915 Research Dr.  
Irvine CA, 92618

Tel: 949.341.0314  
Fax: 949.341.0315

E-mail: info@dustmonkey.net



*Tough, Durable,  
Rugged, Reliable,  
Stout Construction*

Visit all our web sites:  
WWW.DUSTMONKEY.NET  
WWW.DUCTMONKEY.NET  
WWW.MONKEYARMS.COM



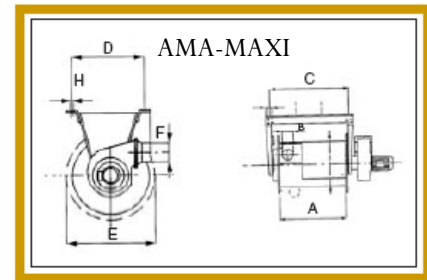
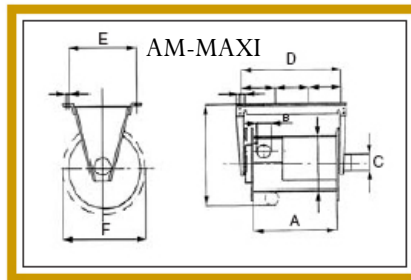
*Experts in Dust, and  
Fume Control.*

WWW.DUSTMONKEY.NET

## MODELS AVAILABLE

AM-MAXI	DIMENSIONS (IN)						WEIGHT (LB)
	A	B (Ø)	C (Ø)	D	E	F (Ø)	
AM MAXI 125/15	31	5	6	32	21	36	132
AM MAXI 125/17	38	5	6	38	21	36	137
AM MAXI 150/13	31	6	6	32	21	38	132
AM MAXI 180/10	31	7	6	32	21	40	132

AMA-MAXI	DIMENSIONS (IN)						WEIGHT (LB)	POWER (HP)
	A	B (Ø)	C (Ø)	D	M	P (Ø)		
AMA MAXI 125/15	31	5	32	11	0	13	176	1.5
AMA MAXI 125/17	38	5	38	13	0	13	181	1.5
AMA MAXI 150/13	31	6	32	11	0	13	176	1.5
AMA MAXI 180/10	31	7	32	11	0	13	176	1.5



## TERMS AND CONDITIONS

### PAYMENTS AND TERMS

Prices quoted are good for 30 days unless otherwise noted. Dust Monkey accepts cash, check, wire transfer, or credit cards. All prices are quote in US Dollars, unless otherwise noted. All sales are final. All freight is FOB, Las Vegas, Nevada unless otherwise noted. All goods remain the property of Dust Monkey until paid in full. Payment is due at time of order unless credit has been granted. All past due accounts accrue a service fee of 3% per month. Dust Monkey is a DBA of Komodo Enterprises, Inc., a Nevada Corporation.

### PRIVACY STATEMENT

Komodo Enterprises Inc. respects your privacy and will not divulge your contact information to any third party organization or entity without your express permission. In addition, our web sites gather no unauthorized information from your computer during your visit with us. All phone calls to Dust Monkey may be monitored or recorded.

### ACCURACY

Dust Monkey assumes no responsibility for errors or omissions in this web site or documents which are referenced by or linked to this site. This site could include technical or other inaccuracies. Changes are periodically added to the information, and Dust Monkey may change the products or services described at any time. Contact Customer Service for further information before relying on any information contained herein. The information provided on this site, including text, images, and links, are provided "AS IS" by Dust Monkey solely as a convenience to its visitors. This information is without any warranties, express or implied, including but not limited to warranties of merchantability, fitness for a particular purpose or non-infringement.

### WARRANTY & INDEMNITY

Dust Monkey warrants products it manufactures for a period of 90 days to the original purchaser from the date of purchase. Items not manufactured by Dust Monkey are limited to their own manufacturer's warranties. This warranty does not apply to defects due directly or indirectly to misuse, negligence, accidents, abuse, repairs, or alterations or lack of maintenance. This is Dust Monkey's sole written warranty and any and all warranties that may be implied by law, including any merchantability or fitness, for any particular purpose, are hereby limited to the duration of this written warranty. Dust Monkey does not warrant or represent that the merchandise complies with the provisions of any law or acts. In no event shall Dust Monkey liability under this warranty exceed the purchase price paid for the product. Both parties agree to binding arbitration in Las Vegas, Nevada. Dust Monkey shall in no event be liable for death, injuries to persons or property or for incidental, and contingent, special, or consequential damages arising from the use of our products. Dust Monkey warrants products only for the specific use expressly agreed to at time of purchase by Dust Monkey in writing. Motors should only be started and stopped up to 4 - 10 times per hour. Starting motors more frequently can cause heat build up and can cause the motor overload to trip or cause motor damage. In general, motors should be started and stopped as little as possible for maximum lifespan and best economy (electrical use). \*Note: Motors should be protected from extreme weather to prolong motor life. All claims, including claims covered under the limited warranty, are subject to inspection and investigation before Buyer's claim is settled. Any parts returned for warranty or repair will not be accepted without an RMA number and must be shipped pre-paid. Contact Customer Service with the original bill of sale to obtain an RMA number.

# DUST MONKEY APT

WWW.DUSTMONKEY.NET

## SPECIFICATIONS

**APT**



The APT is simple, lightweight but reliable, thanks to the high quality of the materials used. The APT model is equipped with a locking mechanism to stop the hose at the desired height. It can be fitted on either the wall or the ceiling and, on request, equipped with an adjustable safety stop (ATS). Thanks to its compact size, the APT model is ideal for use with cars and motorcycles. Suitable for centralized extraction system.

**APVT**



The APVT differs from APT model by the coupling with a LAM series electric exhauster. The APVT model provides excellent extraction even with a hose up to 33 feet long. Thanks to its compact size, the APVT model is ideal for cars and motorcycles workshops where autonomous workstations are needed. On request, the APVT can be supplied with automatic exhauster starting device (ATS System).

### FEATURES

- \* Ideal for cars and motorcycles workshops where autonomous workstations are needed.
- \* Compact design allows the reels to be placed almost anywhere they're needed.
- \* Suitable for a centralized extraction system

### OPTIONS

- \* Exhaust Hose

## DIMENSIONS, ETC.

Dust Monkey products are manufactured in metric sizes but described here and on the web site in their closest English equivalent. Representative sizes and dimensions are described here. Custom sizes and materials are available.

Diameters:  
63 mm: 2.5 inches  
75 mm: 3 inches  
100 mm: 4 inches  
125 mm: 5 inches  
160 mm: 6 inches  
200 mm: 8 inches

Lengths:  
1.5m: 5 feet  
2.0m: 6 feet  
3.0m: 10 feet  
4.0m: 13 feet  
5.0m: 16 feet  
6.0m: 20 feet  
7.0m: 23 feet  
8.0m: 26 feet  
9.0m: 30 feet

WWW.DUSTMONKEY.NET

Komodo Enterprises, Inc. DBA  
Dust Monkey  
2620 S. Maryland Pkwy  
Suite 14, Box 863  
Las Vegas, NV 89109

California Office  
8915 Research Dr.  
Irvine CA, 92618

Tel: 949.341.0314  
Fax: 949.341.0315

E-mail: info@dustmonkey.net



*Tough, Durable,  
Rugged, Reliable,  
Stout Construction*

Visit all our web sites:  
WWW.DUSTMONKEY.NET  
WWW.DUCTMONKEY.NET  
WWW.MONKEYARMS.COM



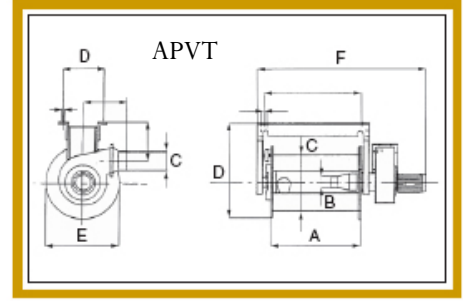
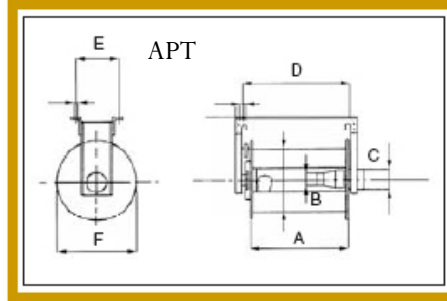
*Experts in Dust, and  
Fume Control.*

WWW.DUSTMONKEY.NET

## MODELS AVAILABLE

APT	DIMENSIONS (IN)						WEIGHT (LB)
	A	B (Ø)	C (Ø)	D	E	F (Ø)	
APT 75/7	24	3	5	25	10	21	95
APT 75/10	24	3	5	25	10	21	99

APVT	DIMENSIONS (IN)						WEIGHT (LB)	AIR FLOW (CFM)
	A	B (Ø)	C (Ø)	D	E	F (Ø)		
APVT 75/7	24	3	6	10	21	25	772	206
APVT 75/10	24	3	6	10	21	25	772	206



## TERMS AND CONDITIONS

### PAYMENTS AND TERMS

Prices quoted are good for 30 days unless otherwise noted. Dust Monkey accepts cash, check, wire transfer, or credit cards. All prices are quote in US Dollars, unless otherwise noted. All sales are final. All freight is FOB, Las Vegas, Nevada unless otherwise noted. All goods remain the property of Dust Monkey until paid in full. Payment is due at time of order unless credit has been granted. All past due accounts accrue a service fee of 3% per month. Dust Monkey is a DBA of Komodo Enterprises, Inc., a Nevada Corporation.

### PRIVACY STATEMENT

Komodo Enterprises Inc. respects your privacy and will not divulge your contact information to any third party organization or entity without your express permission. In addition, our web sites gather no unauthorized information from your computer during your visit with us. All phone calls to Dust Monkey may be monitored or recorded.

### ACCURACY

Dust Monkey assumes no responsibility for errors or omissions in this web site or documents which are referenced by or linked to this site. This site could include technical or other inaccuracies. Changes are periodically added to the information, and Dust Monkey may change the products or services described at any time. Contact Customer Service for further information before relying on any information contained herein. The information provided on this site, including text, images, and links, are provided "AS IS" by Dust Monkey solely as a convenience to its visitors. This information is without any warranties, express or implied, including but not limited to warranties of merchantability, fitness for a particular purpose or non-infringement.

### WARRANTY & INDEMNITY

Dust Monkey warrants products it manufactures for a period of 90 days to the original purchaser from the date of purchase. Items not manufactured by Dust Monkey are limited to their own manufacturer's warranties. This warranty does not apply to defects due directly or indirectly to misuse, negligence, accidents, abuse, repairs, or alterations or lack of maintenance. This is Dust Monkey's sole written warranty and any and all warranties that may be implied by law, including any merchantability or fitness, for any particular purpose, are hereby limited to the duration of this written warranty. Dust Monkey does not warrant or represent that the merchandise complies with the provisions of any law or acts. In no event shall Dust Monkey liability under this warranty exceed the purchase price paid for the product. Both parties agree to binding arbitration in Las Vegas, Nevada. Dust Monkey shall in no event be liable for death, injuries to persons or property or for incidental, and contingent, special, or consequential damages arising from the use of our products. Dust Monkey warrants products only for the specific use expressly agreed to at time of purchase by Dust Monkey in writing. Motors should only be started and stopped up to 4 - 10 times per hour. Starting motors more frequently can cause heat build up and can cause the motor overload to trip or cause motor damage. In general, motors should be started and stopped as little as possible for maximum lifespan and best economy (electrical use). \*Note: Motors should be protected from extreme weather to prolong motor life. All claims, including claims covered under the limited warranty, are subject to inspection and investigation before Buyer's claim is settled. Any parts returned for warranty or repair will not be accepted without an RMA number and must be shipped pre-paid. Contact Customer Service with the original bill of sale to obtain an RMA number.

# DUST MONKEY BLIND

WWW.DUSTMONKEY.NET

## SPECIFICATIONS

The BLIND modular extraction rail is suitable primarily for aspiration of car exhaust, welding fumes, or fumes of any other kind. The extraction rail has been met with a great success in truck repairing workshops where contamination of the workplace was prevented by the highly mobile flexible hose of the BLIND mobile extraction rail. Installation of an arm on the sliding rail enables the extraction of fumes produced during welding operations or the removal of dusty

air. The BLIND is made in robust aluminum sections, and the extraction rail has a variable cross-section depending on the desired air flow rate (BLIND 190 and BLIND 240). The slit on the bottom allows longitudinal movement of the extracting point. The vacuum produced by the exhauster is constant thanks to the presence of two rubber lips fixed in proximity of the slit and thus making the extraction system airtight. The sliding element runs on nylon wheels along a robust rail system inside the



extraction channel. The BLIND extraction rail is supplied in standard lengths of 7, 10, 13, and 20 feet, flanged on both sides, which can then be assembled to reach the desired length (which allows the system to be expanded later). Several extracting sliding elements can be easily inserted into the modular rail.

### FEATURES

- \* The BLIND modular extraction rail is suitable primarily for aspiration of car exhaust, welding fumes, or fumes of any other kind.
- \* Modular design makes assembling and adding new pieces easy!
- \* Supplied in standard lengths of 7, 10, 13, and 20 feet, flanged on both sides.

### OPTIONS

- \* Piping (galvanized or stainless steel)
- \* Extra pieces available to build the rail to the lengths required
- \* Extraction arm for mounting on rail

## DIMENSIONS, ETC.

Dust Monkey products are manufactured in metric sizes but described here and on the web site in their closest English equivalent. Representative sizes and dimensions are described here. Custom sizes and materials are available.

Diameters:  
63 mm: 2.5 inches  
75 mm: 3 inches  
100 mm: 4 inches  
125 mm: 5 inches  
160 mm: 6 inches  
200 mm: 8 inches

Lengths:  
1.5m: 5 feet  
2.0m: 6 feet  
3.0m: 10 feet  
4.0m: 13 feet  
5.0m: 16 feet  
6.0m: 20 feet  
7.0m: 23 feet  
8.0m: 26 feet  
9.0m: 30 feet

WWW.DUSTMONKEY.NET

Komodo Enterprises, Inc. DBA  
Dust Monkey  
2620 S. Maryland Pkwy  
Suite 14, Box 863  
Las Vegas, NV 89109

California Office  
8915 Research Dr.  
Irvine CA, 92618

Tel: 949.341.0314  
Fax: 949.341.0315

E-mail: info@dustmonkey.net



*Tough, Durable,  
Rugged, Reliable,  
Stout Construction*

Visit all our web sites:  
WWW.DUSTMONKEY.NET  
WWW.DUCTMONKEY.NET  
WWW.MONKEYARMS.COM

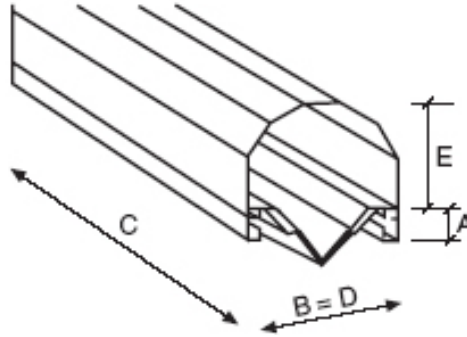


*Experts in Dust, and  
Fume Control.*

WWW.DUSTMONKEY.NET

## MODELS AVAILABLE

BLIND	DIMENSIONS (IN)						CAR EXHAUST (CFM)
	A	B	C (FT)	D	E	EQ (Ø)	
190	2	9	10	9	5	8	1383
190	2	9	20	9	5	8	1383
240	2	9	7	9	8	10	2237
240	2	9	13	9	8	10	2237
240	2	9	20	9	8	10	2237



## TERMS AND CONDITIONS

### PAYMENTS AND TERMS

Prices quoted are good for 30 days unless otherwise noted. Dust Monkey accepts cash, check, wire transfer, or credit cards. All prices are quote in US Dollars, unless otherwise noted. All sales are final. All freight is FOB, Las Vegas, Nevada unless otherwise noted. All goods remain the property of Dust Monkey until paid in full. Payment is due at time of order unless credit has been granted. All past due accounts accrue a service fee of 3% per month. Dust Monkey is a DBA of Komodo Enterprises, Inc., a Nevada Corporation.

### PRIVACY STATEMENT

Komodo Enterprises Inc. respects your privacy and will not divulge your contact information to any third party organization or entity without your express permission. In addition, our web sites gather no unauthorized information from your computer during your visit with us. All phone calls to Dust Monkey may be monitored or recorded.

### ACCURACY

Dust Monkey assumes no responsibility for errors or omissions in this web site or documents which are referenced by or linked to this site. This site could include technical or other inaccuracies. Changes are periodically added to the information, and Dust Monkey may change the products or services described at any time. Contact Customer Service for further information before relying on any information contained herein. The information provided on this site, including text, images, and links, are provided "AS IS" by Dust Monkey solely as a convenience to its visitors. This information is without any warranties, express or implied, including but not limited to warranties of merchantability, fitness for a particular purpose or non-infringement.

### WARRANTY & INDEMNITY

Dust Monkey warrants products it manufactures for a period of 90 days to the original purchaser from the date of purchase. Items not manufactured by Dust Monkey are limited to their own manufacturer's warranties. This warranty does not apply to defects due directly or indirectly to misuse, negligence, accidents, abuse, repairs, or alterations or lack of maintenance. This is Dust Monkey's sole written warranty and any and all warranties that may be implied by law, including any merchantability or fitness, for any particular purpose, are hereby limited to the duration of this written warranty. Dust Monkey does not warrant or represent that the merchandise complies with the provisions of any law or acts. In no event shall Dust Monkey liability under this warranty exceed the purchase price paid for the product. Both parties agree to binding arbitration in Las Vegas, Nevada. Dust Monkey shall in no event be liable for death, injuries to persons or property or for incidental, and contingent, special, or consequential damages arising from the use of our products. Dust Monkey warrants products only for the specific use expressly agreed to at time of purchase by Dust Monkey in writing. Motors should only be started and stopped up to 4 - 10 times per hour. Starting motors more frequently can cause heat build up and can cause the motor overload to trip or cause motor damage. In general, motors should be started and stopped as little as possible for maximum lifespan and best economy (electrical use). \*Note: Motors should be protected from extreme weather to prolong motor life. All claims, including claims covered under the limited warranty, are subject to inspection and investigation before Buyer's claim is settled. Any parts returned for warranty or repair will not be accepted without an RMA number and must be shipped pre-paid. Contact Customer Service with the original bill of sale to obtain an RMA number.

# DUST MONKEY ETA

WWW.DUSTMONKEY.NET

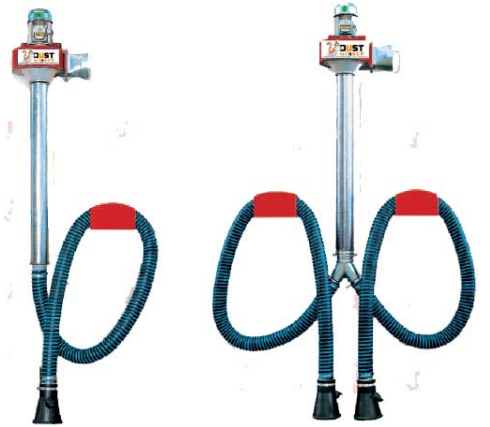
## SPECIFICATIONS

### ETA UNO/DUE



Designed for use in small and medium-sized workshops, the ETA is extremely compact and easy to install. Made up of an ALE series aluminum electric exhauster and includes a crushproof flexible hose (16 feet in length, 3 inches in diameter), a rubber nozzle, and a wall bearing for hose storage.\*

### SUPER ETA UNO/DUE



Designed for use in small and medium-sized workshops, the ETA-SUPER is extremely compact and easy to install. Complete with LAM series spark proof electric exhauster in steel sheet and includes crushproof hose (10 or 16 feet in length and 3 or 4 inches in diameter), a rubber nozzle, a pendant element in galvanized sheet, and a wall bearing for inactive hose.\*

\* The DUE model comes with two of each part.

### FEATURES

- \* Ideal for cars and motorcycles workshops where autonomous workstations are needed.
- \* Compact design allows the reels to be placed almost anywhere they're needed.
- \* Suitable for a centralized extraction system
- \* Operated by pushbutton panel or remote control

### OPTIONS

- \* Column support for floor installation for Super ETA models

## DIMENSIONS, ETC.

Dust Monkey products are manufactured in metric sizes but described here and on the web site in their closest English equivalent. Representative sizes and dimensions are described here. Custom sizes and materials are available.

Diameters:  
63 mm: 2.5 inches  
75 mm: 3 inches  
100 mm: 4 inches  
125 mm: 5 inches  
160 mm: 6 inches  
200 mm: 8 inches

Lengths:  
1.5m: 5 feet  
2.0m: 6 feet  
3.0m: 10 feet  
4.0m: 13 feet  
5.0m: 16 feet  
6.0m: 20 feet  
7.0m: 23 feet  
8.0m: 26 feet  
9.0m: 30 feet

WWW.DUSTMONKEY.NET

Komodo Enterprises, Inc. DBA  
Dust Monkey  
2620 S. Maryland Pkwy  
Suite 14, Box 863  
Las Vegas, NV 89109

California Office  
8915 Research Dr.  
Irvine CA, 92618

Tel: 949.341.0314  
Fax: 949.341.0315

E-mail: [info@dustmonkey.net](mailto:info@dustmonkey.net)



*Tough, Durable,  
Rugged, Reliable,  
Stout Construction*

Visit all our web sites:  
[WWW.DUSTMONKEY.NET](http://WWW.DUSTMONKEY.NET)  
[WWW.DUCTMONKEY.NET](http://WWW.DUCTMONKEY.NET)  
[WWW.MONKEYARMS.COM](http://WWW.MONKEYARMS.COM)



*Experts in Dust, and  
Fume Control.*

## MODELS AVAILABLE

ETA	POWER (HP)	LENGTH (FEET)	HOSE DIAMTER (INCH)
ETA SINGLE 75-5	0.5	16	3
ETA DOUBLE 75-5	0.5	16 (x2)	3

ETA SUPER	POWER (HP)	LENGTH (FEET)	HOSE DIAMTER (INCH)
ETA SUPER SINGLE 75-3	0.5	10	3
ETA SUPER SINGLE 75-5	0.5	16	3
ETA SUPER SINGLE 100-5	1	16	4
ETA SUPER DOUBLE 75-3	0.5	10 (x2)	3
ETA SUPER DOUBLE 75-5	0.5	16 (x2)	3
ETA SUPER DOUBLE 100-5	1	16 (x2)	4

## TERMS AND CONDITIONS

### PAYMENTS AND TERMS

Prices quoted are good for 30 days unless otherwise noted. Dust Monkey accepts cash, check, wire transfer, or credit cards. All prices are quote in US Dollars, unless otherwise noted. All sales are final. All freight is FOB, Las Vegas, Nevada unless otherwise noted. All goods remain the property of Dust Monkey until paid in full. Payment is due at time of order unless credit has been granted. All past due accounts accrue a service fee of 3% per month. Dust Monkey is a DBA of Komodo Enterprises, Inc., a Nevada Corporation.

### PRIVACY STATEMENT

Komodo Enterprises Inc. respects your privacy and will not divulge your contact information to any third party organization or entity without your express permission. In addition, our web sites gather no unauthorized information from your computer during your visit with us. All phone calls to Dust Monkey may be monitored or recorded.

### ACCURACY

Dust Monkey assumes no responsibility for errors or omissions in this web site or documents which are referenced by or linked to this site. This site could include technical or other inaccuracies. Changes are periodically added to the information, and Dust Monkey may change the products or services described at any time. Contact Customer Service for further information before relying on any information contained herein. The information provided on this site, including text, images, and links, are provided "AS IS" by Dust Monkey solely as a convenience to its visitors. This information is without any warranties, express or implied, including but not limited to warranties of merchantability, fitness for a particular purpose or non-infringement.

### WARRANTY & INDEMNITY

Dust Monkey warrants products it manufactures for a period of 90 days to the original purchaser from the date of purchase. Items not manufactured by Dust Monkey are limited to their own manufacturer's warranties. This warranty does not apply to defects due directly or indirectly to misuse, negligence, accidents, abuse, repairs, or alterations or lack of maintenance. This is Dust Monkey's sole written warranty and any and all warranties that may be implied by law, including any merchantability or fitness, for any particular purpose, are hereby limited to the duration of this written warranty. Dust Monkey does not warrant or represent that the merchandise complies with the provisions of any law or acts. In no event shall Dust Monkey liability under this warranty exceed the purchase price paid for the product. Both parties agree to binding arbitration in Las Vegas, Nevada. Dust Monkey shall in no event be liable for death, injuries to persons or property or for incidental, and contingent, special, or consequential damages arising from the use of our products. Dust Monkey warrants products only for the specific use expressly agreed to at time of purchase by Dust Monkey in writing. Motors should only be started and stopped up to 4 - 10 times per hour. Starting motors more frequently can cause heat build up and can cause the motor overload to trip or cause motor damage. In general, motors should be started and stopped as little as possible for maximum lifespan and best economy (electrical use). \*Note: Motors should be protected from extreme weather to prolong motor life. All claims, including claims covered under the limited warranty, are subject to inspection and investigation before Buyer's claim is settled. Any parts returned for warranty or repair will not be accepted without an RMA number and must be shipped pre-paid. Contact Customer Service with the original bill of sale to obtain an RMA number.

WWW.DUSTMONKEY.NET

# DUST MONKEY MEC

WWW.DUSTMONKEY.NET

## SPECIFICATIONS

The MEC model is perfect for filtering coarse-grained dust, for wood shavings and sawdust, or dust from metal or plastic materials. The filtering media used is polyester needle felt. The polyester comes in two types: one suitable for rough material, and one for finer dust. The MEC can also recycle filtered air, which makes it possible to save considerable amounts of energy because the temperature is not lowered in the working area where the air is extracted. The MEC is accessible from the hatch of the hopper to check the

conveying system and from the side doors for checking the conditions of the filtering sleeves which may be tightened through the special adjustable sleeve plate. Different fans may be connected to the same pre-chamber due to the use of anti-return valve on each inlet which prevents the air from being taken into other connected pipes. This also helps makes it possible to develop more flexible systems. The MEC filtering sleeves are cleaned either by electro-mechanical shaking or by a counter airflow using axial fans: the dust that falls into the hopper and the rotary valve unloads the



material into the transport pipe or directly into a storage silo/ container depending on the assembly position of the MEC. Explosion panels also available.

### FEATURES

- \* For filtering coarse-grained dust, for wood shavings and sawdust, or dust from metal or plastic materials.
- \* High filtering efficiency and different filtering media available for rough material or fine dust.
- \* Possibility to recycle filtered air helps save considerable amounts of energy!
- \* Maintenance hatch gives easy access to the filter system!
- \* Filter cleaning by electro-mechanical shaking!

### OPTIONS

- \* Explosion relief panels available
- \* Air Diffuser with grate
- \* AFON Silencer
- \* Soundproof Box
- \* Fans
- \* Various pipelines
- \* Spark Detector & Fire Extinguishing System
- \* General Electric Control Board

## DIMENSIONS, ETC.

Dust Monkey products are manufactured in metric sizes but described here and on the web site in their closest English equivalent. Representative sizes and dimensions are described here. Custom sizes and materials are available.

Diameters:  
63 mm: 2.5 inches  
75 mm: 3 inches  
100 mm: 4 inches  
125 mm: 5 inches  
160 mm: 6 inches  
200 mm: 8 inches

Lengths:  
1.5m: 5 feet  
2.0m: 6 feet  
3.0m: 10 feet  
4.0m: 13 feet  
5.0m: 16 feet  
6.0m: 20 feet  
7.0m: 23 feet  
8.0m: 26 feet  
9.0m: 30 feet

WWW.DUSTMONKEY.NET

Komodo Enterprises, Inc. DBA  
Dust Monkey  
2620 S. Maryland Pkwy  
Suite 14, Box 863  
Las Vegas, NV 89109

California Office  
8915 Research Dr.  
Irvine CA, 92618

Tel: 949.341.0314  
Fax: 949.341.0315

E-mail: [info@dustmonkey.net](mailto:info@dustmonkey.net)



*Tough, Durable,  
Rugged, Reliable,  
Stout Construction*

Visit all our web sites:  
[WWW.DUSTMONKEY.NET](http://WWW.DUSTMONKEY.NET)  
[WWW.DUCTMONKEY.NET](http://WWW.DUCTMONKEY.NET)  
[WWW.MONKEYARMS.COM](http://WWW.MONKEYARMS.COM)



*Experts in Dust, and  
Fume Control.*

WWW.DUSTMONKEY.NET

## MODELS AVAILABLE

MEC	POWER (HP)	FILTERING SURFACE (SQ FT)	SANDING (CFM)	SAWDUST (CFM)	NUMBER OF FILTERING SLEEVES
4 A	0.13	65	5200	7800	48
4 B	0.13	87	7000	10500	64
6 A	0.13	108	8600	13000	80
6 B	0.13	130	10400	15600	96
8 A	0.13	152	12200	18300	112
8 B	0.13	174	1390	20900	128

MECMODUL Filtering Surface (CFM)	Sleeve Height		
	6 ft	8 ft	10 ft
6	1167	1465	
8	1636	2052	
9		2357	2833
10	2104	2640	
12	2573	3227	3881
14	2803	3517	
15		3829	4603
16	3272	4105	
18	3502	4395	5287
20	3971	4982	
21		5302	6372
24		5889	7079
27		6774	8142
30		7361	8848
33		8246	9912
36		9131	10975
39		9718	11681

WWW.DUSTMONKEY.NET

Komodo Enterprises, Inc. DBA  
Dust Monkey  
2620 S. Maryland Pkwy  
Suite 14, Box 863  
Las Vegas, NV 89109

California Office  
8915 Research Dr.  
Irvine CA, 92618

Tel: 949.341.0314

Fax: 949.341.0315

E-mail: [info@dustmonkey.net](mailto:info@dustmonkey.net)



*Tough, Durable,  
Rugged, Reliable,  
Stout Construction*

Visit all our web sites:  
[WWW.DUSTMONKEY.NET](http://WWW.DUSTMONKEY.NET)  
[WWW.DUCTMONKEY.NET](http://WWW.DUCTMONKEY.NET)  
[WWW.MONKEYARMS.COM](http://WWW.MONKEYARMS.COM)



*Experts in Dust, and  
Fume Control.*

## TERMS AND CONDITIONS

### PAYMENTS AND TERMS

Prices quoted are good for 30 days unless otherwise noted. Dust Monkey accepts cash, check, wire transfer, or credit cards. All prices are quote in US Dollars, unless otherwise noted. All sales are final. All freight is FOB, Las Vegas, Nevada unless otherwise noted. All goods remain the property of Dust Monkey until paid in full. Payment is due at time of order unless credit has been granted. All past due accounts accrue a service fee of 3% per month. Dust Monkey is a DBA of Komodo Enterprises, Inc., a Nevada Corporation.

### PRIVACY STATEMENT

Komodo Enterprises Inc. respects your privacy and will not divulge your contact information to any third party organization or entity without your express permission. In addition, our web sites gather no unauthorized information from your computer during your visit with us. All phone calls to Dust Monkey may be monitored or recorded.

### ACCURACY

Dust Monkey assumes no responsibility for errors or omissions in this web site or documents which are referenced by or linked to this site. This site could include technical or other inaccuracies. Changes are periodically added to the information, and Dust Monkey may change the products or services described at any time. Contact Customer Service for further information before relying on any information contained herein. The information provided on this site, including text, images, and links, are provided "AS IS" by Dust Monkey solely as a convenience to its visitors. This information is without any warranties, express or implied, including but not limited to warranties of merchantability, fitness for a particular purpose or non-infringement.

### WARRANTY & INDEMNITY

Dust Monkey warrants products it manufactures for a period of 90 days to the original purchaser from the date of purchase. Items not manufactured by Dust Monkey are limited to their own manufacturer's warranties. This warranty does not apply to defects due directly or indirectly to misuse, negligence, accidents, abuse, repairs, or alterations or lack of maintenance. This is Dust Monkey's sole written warranty and any and all warranties that may be implied by law, including any merchantability or fitness, for any particular purpose, are hereby limited to the duration of this written warranty. Dust Monkey does not warrant or represent that the merchandise complies with the provisions of any law or acts. In no event shall Dust Monkey liability under this warranty exceed the purchase price paid for the product. Both parties agree to binding arbitration in Las Vegas, Nevada. Dust Monkey shall in no event be liable for death, injuries to persons or property or for incidental, and contingent, special, or consequential damages arising from the use of our products. Dust Monkey warrants products only for the specific use expressly agreed to at time of purchase by Dust Monkey in writing. Motors should only be started and stopped up to 4 - 10 times per hour. Starting motors more frequently can cause heat build up and can cause the motor overload to trip or cause motor damage. In general, motors should be started and stopped as little as possible for maximum lifespan and best economy (electrical use). \*Note: Motors should be protected from extreme weather to prolong motor life. All claims, including claims covered under the limited warranty, are subject to inspection and investigation before Buyer's claim is settled. Any parts returned for warranty or repair will not be accepted without an RMA number and must be shipped pre-paid. Contact Customer Service with the original bill of sale to obtain an RMA number.

WWW.DUSTMONKEY.NET

# DUST MONKEY SMALL SHOP

WWW.DUSTMONKEY.NET

## SPECIFICATIONS



HANDY



CLEN



BOXER

### FEATURES

- \* The small shop line of dust removal equipment is perfect for work environments where dust or wood dust collection is required.
- \* The filters are easy to replace and have an extremely high filtration efficiency!
- \* Filters air to make the local work environment safer for employees.

### OPTIONS

- \* Floor Sweep
- \* Flexible hose and hose clamps
- \* Deflectors
- \* Shutters

## DIMENSIONS, ETC.

Dust Monkey products are manufactured in metric sizes but described here and on the web site in their closest English equivalent. Representative sizes and dimensions are described here. Custom sizes and materials are available.

Diameters:  
63 mm: 2.5 inches  
75 mm: 3 inches  
100 mm: 4 inches  
125 mm: 5 inches  
160 mm: 6 inches  
200 mm: 8 inches

Lengths:  
1.5m: 5 feet  
2.0m: 6 feet  
3.0m: 10 feet  
4.0m: 13 feet  
5.0m: 16 feet  
6.0m: 20 feet  
7.0m: 23 feet  
8.0m: 26 feet  
9.0m: 30 feet

WWW.DUSTMONKEY.NET

Komodo Enterprises, Inc. DBA  
Dust Monkey  
2620 S. Maryland Pkwy  
Suite 14, Box 863  
Las Vegas, NV 89109

California Office  
8915 Research Dr.  
Irvine CA, 92618

Tel: 949.341.0314  
Fax: 949.341.0315

E-mail: info@dustmonkey.net



*Tough, Durable,  
Rugged, Reliable,  
Stout Construction*

Visit all our web sites:  
WWW.DUSTMONKEY.NET  
WWW.DUCTMONKEY.NET  
WWW.MONKEYARMS.COM



*Experts in Dust, and  
Fume Control.*

WWW.DUSTMONKEY.NET

## MODELS AVAILABLE

BOXER	CAPACITY (CFM)	POWER (HP)	FILTERING SURFACE (SQ FT)	NUMBER OF COLLECTION BAGS	INTAKE OPENING (IN)	WEIGHT (LB)
Boxer 1C/2	1176	2	21.5	1	7.09	143
Boxer 1C/3	1765	3	21.5	1	7.09	150
boxer 2c/3	1765	3	53.8	2	8.66	192
boxer 2c/4	2353	4	53.8	2	8.66	203
Boxer 3C/3	1765	3	80.6	3	9.84	242
Boxer 3C/4	2353	4	80.6	3	9.84	254
Boxer 3C/5.5	2941	5.5	80.6	3	9.84	265
Boxer 4C/5.5	2941	5.5	108	4	11.02	331
Boxer 4C/7.5	3529	7.5	108	4	11.02	342
Boxer 5C/7.5	3529	7.5	134	5	12.4	419
Boxer 5C/10	4118	10	134	5	12.4	442

HOBBY	MAX DELIVERY (CFM)	POWER (HP)	FAN PHASE	FAN SPEED RPM	INTAKE OPENING (IN)	FILTERING BAG Ø / H (IN)
HOBBY 0.5	590	0.5	1 OR 3	2800	4.7	15.7 / 31.5
HOBBY 1	885	1	1 OR 3	2800	5.9	15.7 / 31.5
HOBBY 2	1298	2	1 OR 3	2800	7	15.7 / 47.2
HOBBY 3	1475	3	1 OR 3	2800	7	15.7 / 47.2

CLEN	MAX DELIVERY (CFM)	POWER (HP)	FAN PHASE	FAN SPEED RPM	FILTERING SURFACE (SQ FT)	INTAKE OPENING (IN)	FILTERING BAG Ø / H (IN)	COLLECTING BAG CAPACITY (CU FT)
CLEN 0.5	588.2	0.5	1 OR 3	2800	14	4.72	17.7/31.5	3.9
CLEN 1	882.4	1	1 OR 3	2800	20.4	5.91	17.7/47.2	3.9
CLEN 2	1324	2	3	2800	23.7	7.09	17.7/59	3.9
CLEN AP 0.5	588.2	0.5	1 OR 3	2800	14	4.72	17.7/31.5	3.9
CLEN AP 1	882.4	1	1 OR 3	2800	20.4	5.91	17.7/47.2	3.9
CLEN AP 2	1324	2	3	2800	23.7	7.09	17.7/59	3.9

HANDY	MAX DELIVERY (CFM)	POWER (HP)	FAN PHASE	FAN SPEED RPM	FILTERING SURFACE (SQ FT)	INTAKE OPENING (IN)	FILTERING BAG Ø / H (IN)	COLLECTING BAG CAPACITY (CU FT)
HANDY 1	882	1	1	2800	20.4	4	17.7/47.2	3.9
HANDY 2	1324	1.5	1	2800	23.7	5	17.7/59	3.9
HANDY 1	882	1	3	2800	20.4	4	17.7/47.2	3.9
HANDY 2	1324	1.5	3	2800	23.7	5	17.7/59	3.9

CA	MAX DELIVERY (CFM)	POWER (HP)	SPEED RPM	FILTERING SURFACE (SQ FT)	INTAKE OPENING (IN)	WEIGHT (LB)
CA/1C	940	1	2800	29	7	110
CA/1C	1470	2	2800	29	8	132
CA/1C	1650	3	2800	29	8	155
CA/2C	2175	3	2800	58	9	210
CA/2C	2295	4	2800	58	9	232
CA/3C	3060	5.5	2800	87	10	298
CA/4C	3470	7.5	2800	116	11	397

WWW.DUSTMONKEY.NET

Komodo Enterprises, Inc. DBA  
Dust Monkey  
2620 S. Maryland Pkwy  
Suite 14, Box 863  
Las Vegas, NV 89109

California Office  
8915 Research Dr.  
Irvine CA, 92618

Tel: 949.341.0314

Fax: 949.341.0315

E-mail: [info@dustmonkey.net](mailto:info@dustmonkey.net)



*Tough, Durable,  
Rugged, Reliable,  
Stout Construction*

Visit all our web sites:  
[WWW.DUSTMONKEY.NET](http://WWW.DUSTMONKEY.NET)  
[WWW.DUCTMONKEY.NET](http://WWW.DUCTMONKEY.NET)  
[WWW.MONKEYARMS.COM](http://WWW.MONKEYARMS.COM)



*Experts in Dust, and  
Fume Control.*

## TERMS AND CONDITIONS

### PAYMENTS AND TERMS

Prices quoted are good for 30 days unless otherwise noted. Dust Monkey accepts cash, check, wire transfer, or credit cards. All prices are quote in US Dollars, unless otherwise noted. All sales are final. All freight is FOB, Las Vegas, Nevada unless otherwise noted. All goods remain the property of Dust Monkey until paid in full. Payment is due at time of order unless credit has been granted. All past due accounts accrue a service fee of 3% per month. Dust Monkey is a DBA of Komodo Enterprises, Inc., a Nevada Corporation.

### PRIVACY STATEMENT

Komodo Enterprises Inc. respects your privacy and will not divulge your contact information to any third party organization or entity without your express permission. In addition, our web sites gather no unauthorized information from your computer during your visit with us. All phone calls to Dust Monkey may be monitored or recorded.

### ACCURACY

Dust Monkey assumes no responsibility for errors or omissions in this web site or documents which are referenced by or linked to this site. This site could include technical or other inaccuracies. Changes are periodically added to the information, and Dust Monkey may change the products or services described at any time. Contact Customer Service for further information before relying on any information contained herein. The information provided on this site, including text, images, and links, are provided "AS IS" by Dust Monkey solely as a convenience to its visitors. This information is without any warranties, express or implied, including but not limited to warranties of merchantability, fitness for a particular purpose or non-infringement.

### WARRANTY & INDEMNITY

Dust Monkey warrants products it manufactures for a period of 90 days to the original purchaser from the date of purchase. Items not manufactured by Dust Monkey are limited to their own manufacturer's warranties. This warranty does not apply to defects due directly or indirectly to misuse, negligence, accidents, abuse, repairs, or alterations or lack of maintenance. This is Dust Monkey's sole written warranty and any and all warranties that may be implied by law, including any merchantability or fitness, for any particular purpose, are hereby limited to the duration of this written warranty. Dust Monkey does not warrant or represent that the merchandise complies with the provisions of any law or acts. In no event shall Dust Monkey liability under this warranty exceed the purchase price paid for the product. Both parties agree to binding arbitration in Las Vegas, Nevada. Dust Monkey shall in no event be liable for death, injuries to persons or property or for incidental, and contingent, special, or consequential damages arising from the use of our products. Dust Monkey warrants products only for the specific use expressly agreed to at time of purchase by Dust Monkey in writing. Motors should only be started and stopped up to 4 - 10 times per hour. Starting motors more frequently can cause heat build up and can cause the motor overload to trip or cause motor damage. In general, motors should be started and stopped as little as possible for maximum lifespan and best economy (electrical use). \*Note: Motors should be protected from extreme weather to prolong motor life. All claims, including claims covered under the limited warranty, are subject to inspection and investigation before Buyer's claim is settled. Any parts returned for warranty or repair will not be accepted without an RMA number and must be shipped pre-paid. Contact Customer Service with the original bill of sale to obtain an RMA number.

WWW.DUSTMONKEY.NET

# DUST MONKEY EUROFILTER

WWW.DUSTMONKEY.NET

## SPECIFICATIONS

The new Eurofilter cartridge filter system represents the very latest and most advanced solution to the problem of air pollution in working environments. The possibility of using bags or cartridges in the most complete range of filtering media means that the line is practically universal. Filtration of fumes from welding, plasma-arc cutting, slightly oily fumes, chemical, pharmaceutical and metallic dust, dry chips and sawdust in modest quantities (cartridge version); dry dusts (bag version). The filter works by drawing dusty air in through the unit by connecting directly with

metal ducting. The air then undergoes a pre-decontamination process by passing first into the side pre-chamber, where it is slowed down so that the heavier dust particles drop out and settle in the lower pull-out tray. The air then passes through a second pre-filter, and finally reaches the cartridge or bag filtering stage and then exits from the fan mounted at the head of the assembly through a sound-absorbing diaphragm. The motorized cleaning system for the Eurofilter unit works via a back blast compressed air cleaning system under the control of a cyclic programmer.



### FEATURES

- \* Filtration of fumes from welding, plasma-arc cutting, slightly oily fumes, chemical, pharmaceutical and metallic dust, dry chips, and sawdust in modest quantities
- \* Cleaning system that is controlled via a cyclic programmer.
- \* The unit was specially engineered to maintain a high filtration area and efficiency.

### OPTIONS

- \* Cartridge with motorized self-cleaning system

## DIMENSIONS, ETC.

Dust Monkey products are manufactured in metric sizes but described here and on the web site in their closest English equivalent. Representative sizes and dimensions are described here. Custom sizes and materials are available.

Diameters:  
63 mm: 2.5 inches  
75 mm: 3 inches  
100 mm: 4 inches  
125 mm: 5 inches  
160 mm: 6 inches  
200 mm: 8 inches

Lengths:  
1.5m: 5 feet  
2.0m: 6 feet  
3.0m: 10 feet  
4.0m: 13 feet  
5.0m: 16 feet  
6.0m: 20 feet  
7.0m: 23 feet  
8.0m: 26 feet  
9.0m: 30 feet

WWW.DUSTMONKEY.NET

Komodo Enterprises, Inc. DBA  
Dust Monkey  
2620 S. Maryland Pkwy  
Suite 14, Box 863  
Las Vegas, NV 89109

California Office  
8915 Research Dr.  
Irvine CA, 92618

Tel: 949.341.0314  
Fax: 949.341.0315

E-mail: [info@dustmonkey.net](mailto:info@dustmonkey.net)



*Tough, Durable,  
Rugged, Reliable,  
Stout Construction*

Visit all our web sites:  
[WWW.DUSTMONKEY.NET](http://WWW.DUSTMONKEY.NET)  
[WWW.DUCTMONKEY.NET](http://WWW.DUCTMONKEY.NET)  
[WWW.MONKEYARMS.COM](http://WWW.MONKEYARMS.COM)



*Experts in Dust, and  
Fume Control.*

## MODELS AVAILABLE

EUROFILTER	POWER (HP)	FILTERING SURFACE (SQ FT)	MAX DELIVERY (CFM)	NOISE LEVEL dB(A)	Ø INTAKE OPENING (IN)	WEIGHT (LB)
100	2	48.5	529	64	4	375
140	3	96.9	882	66	5.69	441
160	3	96.9	1059	66	6.37	441
200	5.5	193.8	1764	69	8	705

EUROFILTER M	POWER (HP)	FILTERING SURFACE (SQ FT)	MAX DELIVERY (CFM)	NOISE LEVEL dB(A)	Ø INTAKE OPENING (IN)
200	5	183	1766	80	8
250	7	273	2649	82	10
300	10	305	3531	84	12

WWW.DUSTMONKEY.NET

## TERMS AND CONDITIONS

### PAYMENTS AND TERMS

Prices quoted are good for 30 days unless otherwise noted. Dust Monkey accepts cash, check, wire transfer, or credit cards. All prices are quote in US Dollars, unless otherwise noted. All sales are final. All freight is FOB, Las Vegas, Nevada unless otherwise noted. All goods remain the property of Dust Monkey until paid in full. Payment is due at time of order unless credit has been granted. All past due accounts accrue a service fee of 3% per month. Dust Monkey is a DBA of Komodo Enterprises, Inc., a Nevada Corporation.

### PRIVACY STATEMENT

Komodo Enterprises Inc. respects your privacy and will not divulge your contact information to any third party organization or entity without your express permission. In addition, our web sites gather no unauthorized information from your computer during your visit with us. All phone calls to Dust Monkey may be monitored or recorded.

### ACCURACY

Dust Monkey assumes no responsibility for errors or omissions in this web site or documents which are referenced by or linked to this site. This site could include technical or other inaccuracies. Changes are periodically added to the information, and Dust Monkey may change the products or services described at any time. Contact Customer Service for further information before relying on any information contained herein. The information provided on this site, including text, images, and links, are provided "AS IS" by Dust Monkey solely as a convenience to its visitors. This information is without any warranties, express or implied, including but not limited to warranties of merchantability, fitness for a particular purpose or non-infringement.

### WARRANTY & INDEMNITY

Dust Monkey warrants products it manufactures for a period of 90 days to the original purchaser from the date of purchase. Items not manufactured by Dust Monkey are limited to their own manufacturer's warranties. This warranty does not apply to defects due directly or indirectly to misuse, negligence, accidents, abuse, repairs, or alterations or lack of maintenance. This is Dust Monkey's sole written warranty and any and all warranties that may be implied by law, including any merchantability or fitness, for any particular purpose, are hereby limited to the duration of this written warranty. Dust Monkey does not warrant or represent that the merchandise complies with the provisions of any law or acts. In no event shall Dust Monkey liability under this warranty exceed the purchase price paid for the product. Both parties agree to binding arbitration in Las Vegas, Nevada. Dust Monkey shall in no event be liable for death, injuries to persons or property or for incidental, and contingent, special, or consequential damages arising from the use of our products. Dust Monkey warrants products only for the specific use expressly agreed to at time of purchase by Dust Monkey in writing. Motors should only be started and stopped up to 4 - 10 times per hour. Starting motors more frequently can cause heat build up and can cause the motor overload to trip or cause motor damage. In general, motors should be started and stopped as little as possible for maximum lifespan and best economy (electrical use). \*Note: Motors should be protected from extreme weather to prolong motor life. All claims, including claims covered under the limited warranty, are subject to inspection and investigation before Buyer's claim is settled. Any parts returned for warranty or repair will not be accepted without an RMA number and must be shipped pre-paid. Contact Customer Service with the original bill of sale to obtain an RMA number.

# DUST MONKEY GAM/AF

WWW.DUSTMONKEY.NET

## SPECIFICATIONS

The GAM/AF series of modular collectors may be used where ever dust and scraps deriving from wood, rubber, or plastic working material make extraction necessary. The collector's original design is very useful, even in a very small space, due to its considerable filtering quality and high capacity of extracted material. The GAM/AF series is economically advantageous if several units are placed and operated together, depending on plant structure. Also, due to its ability to recycle filtered air, the GAM/AF series offers considerable energy conservation. The filter bags are made from a very strong tufted material that gives a greater efficiency in filtering and much less load loss in comparison with traditional tissues (such as cotton). The GAM/AF models are all easy to disassemble, which helps lower storage and transportation costs. The GAM/AF series can be fitted with a number of different filter bags from the FIL line of products.



### FEATURES

- \* May be used where ever dust and scraps deriving from wood, rubber, or plastic working material make extraction necessary.
- \* Compact design coupled with considerable filtering quality and great capacity of content.
- \* Filter bags are made from a very strong tufted material that gives a higher efficiency in filtering and much less load loss then traditional tissues.
- \* Models are easily disassembled, which lowers transportation and storage costs!

### OPTIONS

- \* FIL replacement filters
- \* The lower bag may be replaced with a filtering bag to improve filtration.
- \* Special heavy duty filtering cartridges available

## DIMENSIONS, ETC.

Dust Monkey products are manufactured in metric sizes but described here and on the web site in their closest English equivalent. Representative sizes and dimensions are described here. Custom sizes and materials are available.

Diameters:  
63 mm: 2.5 inches  
75 mm: 3 inches  
100 mm: 4 inches  
125 mm: 5 inches  
160 mm: 6 inches  
200 mm: 8 inches

Lengths:  
1.5m: 5 feet  
2.0m: 6 feet  
3.0m: 10 feet  
4.0m: 13 feet  
5.0m: 16 feet  
6.0m: 20 feet  
7.0m: 23 feet  
8.0m: 26 feet  
9.0m: 30 feet

WWW.DUSTMONKEY.NET

Komodo Enterprises, Inc. DBA  
Dust Monkey  
2620 S. Maryland Pkwy  
Suite 14, Box 863  
Las Vegas, NV 89109

California Office  
8915 Research Dr.  
Irvine CA, 92618

Tel: 949.341.0314  
Fax: 949.341.0315

E-mail: info@dustmonkey.net



*Tough, Durable,  
Rugged, Reliable,  
Stout Construction*

Visit all our web sites:  
WWW.DUSTMONKEY.NET  
WWW.DUCTMONKEY.NET  
WWW.MONKEYARMS.COM



*Experts in Dust, and  
Fume Control.*

WWW.DUSTMONKEY.NET

## MODELS AVAILABLE

GAM/AF	MAX DELIVERY (CFM)	POWER (HP)	SPEED (RPM)	VOLTAGE (V)	FILTERING SURFACE (SQ FT)	INTAKE OPENING (Ø INCH)	FILTERING BAG (Ø INCH)	STOCKING CAPACITY (CU. FT)
GAM/2C	3780	3	2800	230/400	58	9.87	19.69	18
AF/2C	3780	3	2800	230/400	58	9.87	19.69	18
GAM/2C	3840	4	2800	230/400	58	9.87	19.69	18
AF/2C	3840	4	2800	230/400	58	9.87	19.69	18
GAM/2C	3930	5.5	2800	400/690	58	9.87	19.69	18
AF/2C	3930	5.5	2800	400/690	58	9.87	19.69	18
GAM/4C	3780	4	2800	230/400	117	9.87	19.69	35
AF/4C	3780	4	2800	230/400	117	9.87	19.69	35
GAM/4C	4440	5.5	2800	400/690	117	9.87	19.69	35
AF/4C	4440	5.5	2800	400/690	117	9.87	19.69	35
GAM/4C	5310	7.5	2800	400/690	117	12.37	19.69	35
AF/4C	5310	7.5	2800	400/690	117	12.37	19.69	35

## TERMS AND CONDITIONS

### PAYMENTS AND TERMS

Prices quoted are good for 30 days unless otherwise noted. Dust Monkey accepts cash, check, wire transfer, or credit cards. All prices are quote in US Dollars, unless otherwise noted. All sales are final. All freight is FOB, Las Vegas, Nevada unless otherwise noted. All goods remain the property of Dust Monkey until paid in full. Payment is due at time of order unless credit has been granted. All past due accounts accrue a service fee of 3% per month. Dust Monkey is a DBA of Komodo Enterprises, Inc., a Nevada Corporation.

### PRIVACY STATEMENT

Komodo Enterprises Inc. respects your privacy and will not divulge your contact information to any third party organization or entity without your express permission. In addition, our web sites gather no unauthorized information from your computer during your visit with us. All phone calls to Dust Monkey may be monitored or recorded.

### ACCURACY

Dust Monkey assumes no responsibility for errors or omissions in this web site or documents which are referenced by or linked to this site. This site could include technical or other inaccuracies. Changes are periodically added to the information, and Dust Monkey may change the products or services described at any time. Contact Customer Service for further information before relying on any information contained herein. The information provided on this site, including text, images, and links, are provided "AS IS" by Dust Monkey solely as a convenience to its visitors. This information is without any warranties, express or implied, including but not limited to warranties of merchantability, fitness for a particular purpose or non-infringement.

### WARRANTY & INDEMNITY

Dust Monkey warrants products it manufactures for a period of 90 days to the original purchaser from the date of purchase. Items not manufactured by Dust Monkey are limited to their own manufacturer's warranties. This warranty does not apply to defects due directly or indirectly to misuse, negligence, accidents, abuse, repairs, or alterations or lack of maintenance. This is Dust Monkey's sole written warranty and any and all warranties that may be implied by law, including any merchantability or fitness, for any particular purpose, are hereby limited to the duration of this written warranty. Dust Monkey does not warrant or represent that the merchandise complies with the provisions of any law or acts. In no event shall Dust Monkey liability under this warranty exceed the purchase price paid for the product. Both parties agree to binding arbitration in Las Vegas, Nevada. Dust Monkey shall in no event be liable for death, injuries to persons or property or for incidental, and contingent, special, or consequential damages arising from the use of our products. Dust Monkey warrants products only for the specific use expressly agreed to at time of purchase by Dust Monkey in writing. Motors should only be started and stopped up to 4 - 10 times per hour. Starting motors more frequently can cause heat build up and can cause the motor overload to trip or cause motor damage. In general, motors should be started and stopped as little as possible for maximum lifespan and best economy (electrical use). \*Note: Motors should be protected from extreme weather to prolong motor life. All claims, including claims covered under the limited warranty, are subject to inspection and investigation before Buyer's claim is settled. Any parts returned for warranty or repair will not be accepted without an RMA number and must be shipped pre-paid. Contact Customer Service with the original bill of sale to obtain an RMA number.

# DUST MONKEY FM

WWW.DUSTMONKEY.NET

## SPECIFICATIONS

The FM Modular filter unit is the most economical and practical solution for the removal of dusts that require a large filtering surface (e.g. wood sanding). The FM dust filter is, of course, also ideal for the filtering of dust and small chips that does not require a larger silo. The FM filter is manufactured and shipped in modular form to help lower transportation costs. The high number of sleeves and the highly permeable needle polyester felt used

improves the filtering efficiency of the FM, as well as reducing pressure loss compared to traditional fabrics such as cotton. The FM's have been created with a view to keep the overall dimensions small in relation to the filtering surface. This means that the FM can be installed where the space available is extremely restricted. The FM unit is available with 2, 4, 6, 8, or 10 collection bags.



### FEATURES

- \* Parts are manufactured modularly to help reduce transport and movement costs!
- \* Due to the high number of sleeves and the highly permeable material used, filtering efficiency is improved and pressure loss is reduced.
- \* Created small to help save space!
- \* Large filtering surface at a very economical price!
- \* Units available with 2, 4, 6, 8, or 10 collection bags

### OPTIONS

- \* Available with fan series PRM, PRA, PDM, PA/P, PR, or PRU
- \* Fabric collection bags
- \* AFON silencers
- \* Rain protection cover
- \* Explosion relief panel
- \* Fire extinguishing system
- \* Control board
- \* Spark detector system

## DIMENSIONS, ETC.

Dust Monkey products are manufactured in metric sizes but described here and on the web site in their closest English equivalent. Representative sizes and dimensions are described here. Custom sizes and materials are available.

Diameters:  
63 mm: 2.5 inches  
75 mm: 3 inches  
100 mm: 4 inches  
125 mm: 5 inches  
160 mm: 6 inches  
200 mm: 8 inches

Lengths:  
1.5m: 5 feet  
2.0m: 6 feet  
3.0m: 10 feet  
4.0m: 13 feet  
5.0m: 16 feet  
6.0m: 20 feet  
7.0m: 23 feet  
8.0m: 26 feet  
9.0m: 30 feet

WWW.DUSTMONKEY.NET

Komodo Enterprises, Inc. DBA  
Dust Monkey  
2620 S. Maryland Pkwy  
Suite 14, Box 863  
Las Vegas, NV 89109

California Office  
8915 Research Dr.  
Irvine CA, 92618

Tel: 949.341.0314  
Fax: 949.341.0315

E-mail: [info@dustmonkey.net](mailto:info@dustmonkey.net)



*Tough, Durable,  
Rugged, Reliable,  
Stout Construction*

Visit all our web sites:  
[WWW.DUSTMONKEY.NET](http://WWW.DUSTMONKEY.NET)  
[WWW.DUCTMONKEY.NET](http://WWW.DUCTMONKEY.NET)  
[WWW.MONKEYARMS.COM](http://WWW.MONKEYARMS.COM)



*Experts in Dust, and  
Fume Control.*

WWW.DUSTMONKEY.NET

## MODELS AVAILABLE

FM	MAX AIR FLOW (CFM)	FILTERING SURFACE (SQ FT)	NUMBER OF COLLECTION BAGS	MAX COLLECTION VOLUME (CUBIC FEET)	SLEEVE QUALITY
1	2326	304	2	17.2	16
2	4651	608	4	34.5	32
3	6977	912	6	51.8	48
4	9303	1215	8	69.1	64
5	11447	1496	10	86.4	80

FM B	MAX AIR FLOW (CFM)	FILTERING SURFACE (SQ FT)	NUMBER OF COLLECTION BAGS	MAX COLLECTION VOLUME (CUBIC FEET)	SLEEVE QUALITY
1	2408	315	2	17.2	16
2	4816	692	4	34.5	32
3	7224	944	6	51.8	48
4	9632	1258	8	69.1	64
5	11628	1519	10	86.4	80

MF M*	SLEEVES (HEIGHT)	SLEEVES (DEGREES)	MAX RATE FOR SANDING DUST (CFM)	MAX RATE FOR SAW DUST (CFM)	FILTERING SURFACE (SQ FT)	NUMBER OF BAGS	MAX COLLECTION VOLUME (CU. FT)
1H	98	9	984	1312	166	1	8.8
2H	98	18	1969	2625	333	2	17.3
3H	98	27	2954	3938	500	3	26.1
4H	98	36	3938	5251	667	4	34.6
1	79	9	762	1016	129	1	8.8
2	79	18	1575	2100	266	2	17.3
3	79	27	2350	3134	398	3	26.1
4	79	36	3157	4209	534	4	34.6
1B	59	9	571	762	96	1	8.8
2B	59	18	1143	1524	193	2	17.3
3B	59	27	1715	2287	290	3	26.1
4B	59	36	2350	3134	398	4	34.6

FM SILO	FILTERING SURFACE (SQ FT)	L (INCHES)	NUMBER OF INSPECTION DOORS	INLET (Ø inches)	NUMBER OF OUTLETS
1	183	43	1	24x10	1
2	355	87	2	24x10	2
3	538	130	3	24x10	3
4	721	173	4	24x10	4
5	893	217	5	24x10	5

\* Enclosing Panels Version With Roof also available

WWW.DUSTMONKEY.NET

Komodo Enterprises, Inc. DBA  
Dust Monkey  
2620 S. Maryland Pkwy  
Suite 14, Box 863  
Las Vegas, NV 89109

California Office  
8915 Research Dr.  
Irvine CA, 92618

Tel: 949.341.0314

Fax: 949.341.0315

E-mail: [info@dustmonkey.net](mailto:info@dustmonkey.net)



*Tough, Durable,  
Rugged, Reliable,  
Stout Construction*

Visit all our web sites:  
[WWW.DUSTMONKEY.NET](http://WWW.DUSTMONKEY.NET)  
[WWW.DUCTMONKEY.NET](http://WWW.DUCTMONKEY.NET)  
[WWW.MONKEYARMS.COM](http://WWW.MONKEYARMS.COM)



*Experts in Dust, and  
Fume Control.*

## TERMS AND CONDITIONS

### PAYMENTS AND TERMS

Prices quoted are good for 30 days unless otherwise noted. Dust Monkey accepts cash, check, wire transfer, or credit cards. All prices are quote in US Dollars, unless otherwise noted. All sales are final. All freight is FOB, Las Vegas, Nevada unless otherwise noted. All goods remain the property of Dust Monkey until paid in full. Payment is due at time of order unless credit has been granted. All past due accounts accrue a service fee of 3% per month. Dust Monkey is a DBA of Komodo Enterprises, Inc., a Nevada Corporation.

### PRIVACY STATEMENT

Komodo Enterprises Inc. respects your privacy and will not divulge your contact information to any third party organization or entity without your express permission. In addition, our web sites gather no unauthorized information from your computer during your visit with us. All phone calls to Dust Monkey may be monitored or recorded.

### ACCURACY

Dust Monkey assumes no responsibility for errors or omissions in this web site or documents which are referenced by or linked to this site. This site could include technical or other inaccuracies. Changes are periodically added to the information, and Dust Monkey may change the products or services described at any time. Contact Customer Service for further information before relying on any information contained herein. The information provided on this site, including text, images, and links, are provided "AS IS" by Dust Monkey solely as a convenience to its visitors. This information is without any warranties, express or implied, including but not limited to warranties of merchantability, fitness for a particular purpose or non-infringement.

### WARRANTY & INDEMNITY

Dust Monkey warrants products it manufactures for a period of 90 days to the original purchaser from the date of purchase. Items not manufactured by Dust Monkey are limited to their own manufacturer's warranties. This warranty does not apply to defects due directly or indirectly to misuse, negligence, accidents, abuse, repairs, or alterations or lack of maintenance. This is Dust Monkey's sole written warranty and any and all warranties that may be implied by law, including any merchantability or fitness, for any particular purpose, are hereby limited to the duration of this written warranty. Dust Monkey does not warrant or represent that the merchandise complies with the provisions of any law or acts. In no event shall Dust Monkey liability under this warranty exceed the purchase price paid for the product. Both parties agree to binding arbitration in Las Vegas, Nevada. Dust Monkey shall in no event be liable for death, injuries to persons or property or for incidental, and contingent, special, or consequential damages arising from the use of our products. Dust Monkey warrants products only for the specific use expressly agreed to at time of purchase by Dust Monkey in writing. Motors should only be started and stopped up to 4 - 10 times per hour. Starting motors more frequently can cause heat build up and can cause the motor overload to trip or cause motor damage. In general, motors should be started and stopped as little as possible for maximum lifespan and best economy (electrical use). \*Note: Motors should be protected from extreme weather to prolong motor life. All claims, including claims covered under the limited warranty, are subject to inspection and investigation before Buyer's claim is settled. Any parts returned for warranty or repair will not be accepted without an RMA number and must be shipped pre-paid. Contact Customer Service with the original bill of sale to obtain an RMA number.

WWW.DUSTMONKEY.NET