

DUST MONKEY EER

WWW.DUSTMONKEY.NET

SPECIFICATIONS

The EER series of Helical electro ventilators have a wide use with very low static pressures from 0.04 a 0.8 in. H₂O and high capacity of 1,118 to 2,236 CFM with maximum air temperatures of 140°F. The EER can be used for the extraction of polluted air and fumes from work areas, aeration of workshops, extraction of dusty air (cement factories, mills, foundries, paperwork, etc.), air circulation in heat exchangers, air exchanges in cattle raising sector, extraction in chemical laboratories (varnishing, bakeries, laundries, large kitchens, etc.), or anywhere where a large amount of air

movement is required at low cost. By the simple inversion of the motor rotation (i.e. of the air-flow), the EER may operate both to extract polluted air from the premises and recycle the filtered air back into the work premises. The installation of the EER may be carried out with a horizontal or vertical axis, on the wall, on the ceiling or on the floor, by means of bracket, or situated on the upper flange of the circular tie-band. The EER's reversible blade type impeller, directly coupled to the motor



shaft, is subject to a meticulous static and dynamic balancing. The performance thus gives no vibrations, for a long duration of the bearings and for the maximum performance of the ventilator. Due to this special design, the position of the impeller blades renders the unit noiseless in comparison with other units in this field.

FEATURES

- * Can be used for the extraction of polluted air and fumes from work areas, aeration of workshops, extraction of dusty air, air circulation in heat exchangers, air exchanges in cattle raising sector, extraction in chemical laboratories, or anywhere where a large amount of air movement is required at low cost.
- * Very low static pressures from 0.04 a 0.8 in. H₂O and high capacity of 1,118 to 2,236 CFM with maximum air temperatures of 140°F.

OPTIONS

- * Gravity Shutter
- * Protective wire netting
- * Revolutions regulators and the ventilator capacity for single-phase motors (220 V) or three-phase motors (220 Volt) may be supplied on request.

DIMENSIONS, ETC.

Dust Monkey products are manufactured in metric sizes but described here and on the web site in their closest English equivalent. Representative sizes and dimensions are described here. Custom sizes and materials are available.

Diameters:
63 mm: 2.5 inches
75 mm: 3 inches
100 mm: 4 inches
125 mm: 5 inches
160 mm: 6 inches
200 mm: 8 inches

Lengths:
1.5m: 5 feet
2.0m: 6 feet
3.0m: 10 feet
4.0m: 13 feet
5.0m: 16 feet
6.0m: 20 feet
7.0m: 23 feet
8.0m: 26 feet
9.0m: 30 feet

WWW.DUSTMONKEY.NET

Komodo Enterprises, Inc. DBA
Dust Monkey
2620 S. Maryland Pkwy
Suite 14, Box 863
Las Vegas, NV 89109

California Office
8915 Research Dr.
Irvine CA, 92618

Tel: 949.341.0314
Fax: 949.341.0315

E-mail: info@dustmonkey.net



*Tough, Durable,
Rugged, Reliable,
Stout Construction*

Visit all our web sites:
WWW.DUSTMONKEY.NET
WWW.DUCTMONKEY.NET
WWW.MONKEYARMS.COM

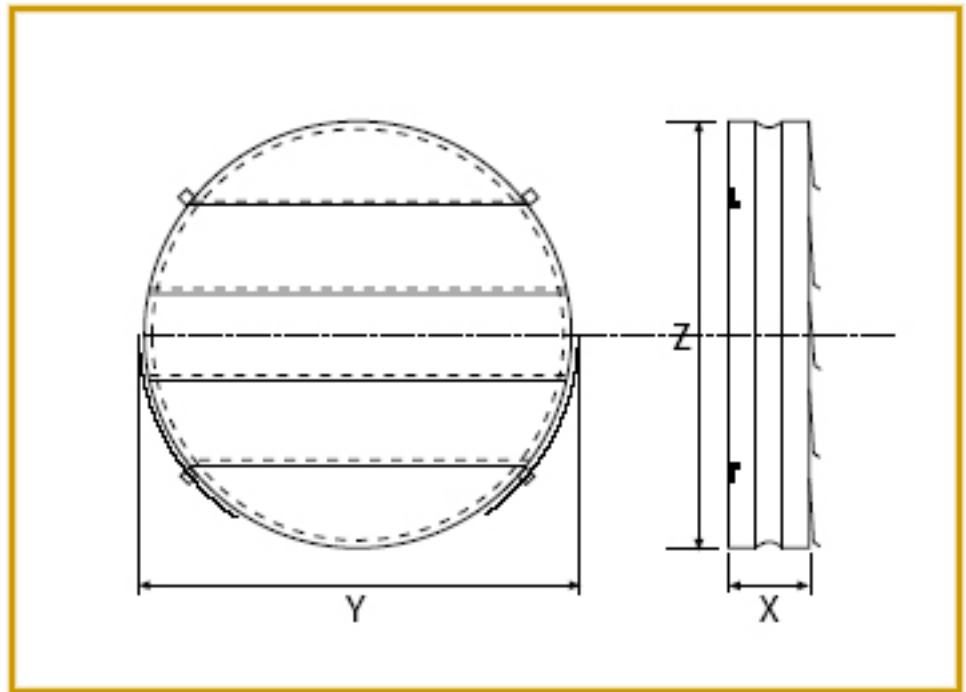


*Experts in Dust, and
Fume Control.*

WWW.DUSTMONKEY.NET

MODELS AVAILABLE

EER	POWER (HP)	REVS	VOLTAGE (V)	CAPACITY (CU. FT PER HOUR) TO STATIC PRESSURE (IN. H2O)						DIMENSIONS (INCH)		
				0.04	0.2	0.3	0.4	0.6	0.8	X	Y	Z
300	0.25	1400	230/400	1648	1413	1236	1118			6	15	12
350	0.35	1400	230/400	2237	2001	1825	1648			6	17	15
400	0.35	1400	230/400	2295	2119	1942	1707			6	19	17
450	0.35	1400	230/400	3119	2943	2237	1766			6	21	19
500	0.75	1400	230/400	4414	4179	4061	3590	2649		6	23	20
600	1.5	1400	230/400	8240	8005	7652	7416	5297	4709	8	27	24
600	0.5	900	230/400	5768	5062	3590				8	27	24
700	1	900	230/400	8829	8005	7122				8	31	28
750	1	900	230/400	11772	11183	7652	6474			8	33	31
750	0.5	750	230/400	8240	5886	4120				8	33	31
800	1	750	230/400	11772	10594	8240	6474			8	35	32
1000	3	750	230/400	22366	20600	18834	15892			8	35	32



WWW.DUSTMONKEY.NET

Komodo Enterprises, Inc. DBA
Dust Monkey
2620 S. Maryland Pkwy
Suite 14, Box 863
Las Vegas, NV 89109

California Office
8915 Research Dr.
Irvine CA, 92618

Tel: 949.341.0314

Fax: 949.341.0315

E-mail: info@dustmonkey.net



*Tough, Durable,
Rugged, Reliable,
Stout Construction*

Visit all our web sites:
WWW.DUSTMONKEY.NET
WWW.DUCTMONKEY.NET
WWW.MONKEYARMS.COM



*Experts in Dust, and
Fume Control.*

TERMS AND CONDITIONS

PAYMENTS AND TERMS

Prices quoted are good for 30 days unless otherwise noted. Dust Monkey accepts cash, check, wire transfer, or credit cards. All prices are quote in US Dollars, unless otherwise noted. All sales are final. All freight is FOB, Las Vegas, Nevada unless otherwise noted. All goods remain the property of Dust Monkey until paid in full. Payment is due at time of order unless credit has been granted. All past due accounts accrue a service fee of 3% per month. Dust Monkey is a DBA of Komodo Enterprises, Inc., a Nevada Corporation.

PRIVACY STATEMENT

Komodo Enterprises Inc. respects your privacy and will not divulge your contact information to any third party organization or entity without your express permission. In addition, our web sites gather no unauthorized information from your computer during your visit with us. All phone calls to Dust Monkey may be monitored or recorded.

ACCURACY

Dust Monkey assumes no responsibility for errors or omissions in this web site or documents which are referenced by or linked to this site. This site could include technical or other inaccuracies. Changes are periodically added to the information, and Dust Monkey may change the products or services described at any time. Contact Customer Service for further information before relying on any information contained herein. The information provided on this site, including text, images, and links, are provided "AS IS" by Dust Monkey solely as a convenience to its visitors. This information is without any warranties, express or implied, including but not limited to warranties of merchantability, fitness for a particular purpose or non-infringement.

WARRANTY & INDEMNITY

Dust Monkey warrants products it manufactures for a period of 90 days to the original purchaser from the date of purchase. Items not manufactured by Dust Monkey are limited to their own manufacturer's warranties. This warranty does not apply to defects due directly or indirectly to misuse, negligence, accidents, abuse, repairs, or alterations or lack of maintenance. This is Dust Monkey's sole written warranty and any and all warranties that may be implied by law, including any merchantability or fitness, for any particular purpose, are hereby limited to the duration of this written warranty. Dust Monkey does not warrant or represent that the merchandise complies with the provisions of any law or acts. In no event shall Dust Monkey liability under this warranty exceed the purchase price paid for the product. Both parties agree to binding arbitration in Las Vegas, Nevada. Dust Monkey shall in no event be liable for death, injuries to persons or property or for incidental, and contingent, special, or consequential damages arising from the use of our products. Dust Monkey warrants products only for the specific use expressly agreed to at time of purchase by Dust Monkey in writing. Motors should only be started and stopped up to 4 - 10 times per hour. Starting motors more frequently can cause heat build up and can cause the motor overload to trip or cause motor damage. In general, motors should be started and stopped as little as possible for maximum lifespan and best economy (electrical use). *Note: Motors should be protected from extreme weather to prolong motor life. All claims, including claims covered under the limited warranty, are subject to inspection and investigation before Buyer's claim is settled. Any parts returned for warranty or repair will not be accepted without an RMA number and must be shipped pre-paid. Contact Customer Service with the original bill of sale to obtain an RMA number.

WWW.DUSTMONKEY.NET