

DUST MONKEY CFS

WWW.DUSTMONKEY.NET

SPECIFICATIONS

The CFS is designed for the elimination of coarse dust particles, chips, sawdust and metal dust. The built-in pre-filter allows larger particles to settle before reaching the main filter, which means that the unit requires less frequent cleaning or replacing of the filter. The CFS cyclone filter moves the dust to a tangent within the unit, and causes it to swirl downward as a result of its weight and the centrifugal force. The clean, filtered air exits upwards, while the dust collects in the collection container below. This special, cyclone design allows the CFS cyclone filter to have a very high filtration

efficiency rate. The unit itself is constructed of painted sheet metal (stainless steel also available) for a sturdy, tough, and dependable design. The CFS 5.5 unit can handle up to 1,765 CFM, while the CFS 7.5 unit can handle up to 2,942 CFM. For higher flow rates, it is possible to use a number of cyclones connected in parallel to achieve desired results. Also available are a wide range of cyclones with high and medium efficiency. Options include a rubber joint and a wheeled cylindrical bin. The unit is perfect for dust, sawdust, and metal dust removal.



FEATURES

- * The CFS is designed for the elimination of coarse dust particles, chips, sawdust and metal dust. The built-in pre-filter allows larger particles to settle before reaching the main filter, which then require less frequent cleaning or replacing of the filter.
- * Causes a cyclone effect that helps separate materials in the air!
- * Pre-filter helps lessen the number of times it is required to change or clean the main filter.

OPTIONS

- * Rubber joint
- * Wheeled cylindrical bin
- * Stainless steel design available

DIMENSIONS, ETC.

Dust Monkey products are manufactured in metric sizes but described here and on the web site in their closest English equivalent. Representative sizes and dimensions are described here. Custom sizes and materials are available.

Diameters:
 63 mm: 2.5 inches
 75 mm: 3 inches
 100 mm: 4 inches
 125 mm: 5 inches
 160 mm: 6 inches
 200 mm: 8 inches

Lengths:
 1.5m: 5 feet
 2.0m: 6 feet
 3.0m: 10 feet
 4.0m: 13 feet
 5.0m: 16 feet
 6.0m: 20 feet
 7.0m: 23 feet
 8.0m: 26 feet
 9.0m: 30 feet

WWW.DUSTMONKEY.NET

Komodo Enterprises, Inc. DBA
Dust Monkey
2620 S. Maryland Pkwy
Suite 14, Box 863
Las Vegas, NV 89109

California Office
8915 Research Dr.
Irvine CA, 92618

Tel: 949.341.0314
Fax: 949.341.0315
E-mail: info@dustmonkey.net



*Tough, Durable,
Rugged, Reliable,
Stout Construction*

Visit all our web sites:
WWW.DUSTMONKEY.NET
WWW.DUCTMONKEY.NET
WWW.MONKEYARMS.COM

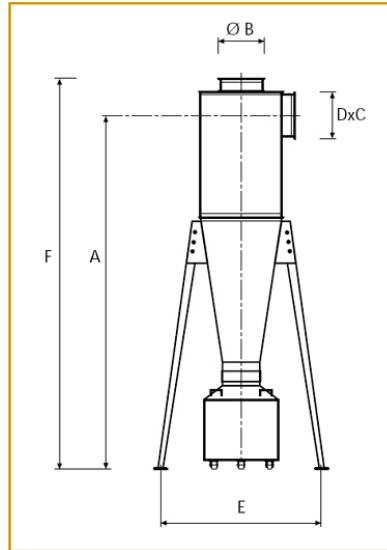


*Experts in Dust, and
Fume Control.*

WWW.DUSTMONKEY.NET

MODELS AVAILABLE

CFS	DIMENSIONS (IN)							
	CAPACITY (CFM)	CAPACITY OF STOCK (CU FT)	A	B	C	D	E	F
CFS 5.5	1177	4	92	11	5	12	36	106
CFS 7.5	1471	4	108	12	7	14	77	122



TERMS AND CONDITIONS

PAYMENTS AND TERMS

Prices quoted are good for 30 days unless otherwise noted. Dust Monkey accepts cash, check, wire transfer, or credit cards. All prices are quote in US Dollars, unless otherwise noted. All sales are final. All freight is FOB, Las Vegas, Nevada unless otherwise noted. All goods remain the property of Dust Monkey until paid in full. Payment is due at time of order unless credit has been granted. All past due accounts accrue a service fee of 3% per month. Dust Monkey is a DBA of Komodo Enterprises, Inc., a Nevada Corporation.

PRIVACY STATEMENT

Komodo Enterprises Inc. respects your privacy and will not divulge your contact information to any third party organization or entity without your express permission. In addition, our web sites gather no unauthorized information from your computer during your visit with us. All phone calls to Dust Monkey may be monitored or recorded.

ACCURACY

Dust Monkey assumes no responsibility for errors or omissions in this web site or documents which are referenced by or linked to this site. This site could include technical or other inaccuracies. Changes are periodically added to the information, and Dust Monkey may change the products or services described at any time. Contact Customer Service for further information before relying on any information contained herein. The information provided on this site, including text, images, and links, are provided "AS IS" by Dust Monkey solely as a convenience to its visitors. This information is without any warranties, express or implied, including but not limited to warranties of merchantability, fitness for a particular purpose or non-infringement.

WARRANTY & INDEMNITY

Dust Monkey warrants products it manufactures for a period of 90 days to the original purchaser from the date of purchase. Items not manufactured by Dust Monkey are limited to their own manufacturer's warranties. This warranty does not apply to defects due directly or indirectly to misuse, negligence, accidents, abuse, repairs, or alterations or lack of maintenance. This is Dust Monkey's sole written warranty and any and all warranties that may be implied by law, including any merchantability or fitness, for any particular purpose, are hereby limited to the duration of this written warranty. Dust Monkey does not warrant or represent that the merchandise complies with the provisions of any law or acts. In no event shall Dust Monkey liability under this warranty exceed the purchase price paid for the product. Both parties agree to binding arbitration in Las Vegas, Nevada. Dust Monkey shall in no event be liable for death, injuries to persons or property or for incidental, and contingent, special, or consequential damages arising from the use of our products. Dust Monkey warrants products only for the specific use expressly agreed to at time of purchase by Dust Monkey in writing. Motors should only be started and stopped up to 4 - 10 times per hour. Starting motors more frequently can cause heat build up and can cause the motor overload to trip or cause motor damage. In general, motors should be started and stopped as little as possible for maximum lifespan and best economy (electrical use). *Note: Motors should be protected from extreme weather to prolong motor life. All claims, including claims covered under the limited warranty, are subject to inspection and investigation before Buyer's claim is settled. Any parts returned for warranty or repair will not be accepted without an RMA number and must be shipped pre-paid. Contact Customer Service with the original bill of sale to obtain an RMA number.